

# DW Series 30mm Stainless Steel Triple Sensing Proximity Sensors



## M30 (30mm) stainless steel – DC

- Eight models available
- 30mm threaded triple distance proximity sensor
- 40mm sensing
- Complete overload protection
- IP68 /IP69k rated
- Two M30 lock nuts included
- Stainless steel construction
- One-piece for harsh duty application
- LED status indicator
- Lifetime warranty



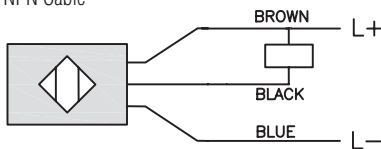
DW Series 30mm Stainless Steel Triple Distance Inductive Prox Selection Chart									
Part Number	Price	Size	Sensing Range	Mounting	Output State	Logic	Connection	Wiring	Dimensions
<b>Triple Distance (Non-flush)</b>									
DW-AD-711-M30		M30	40mm (1.574 in)	Non-flush	N.O.	NPN	2m (6.5 ft) axial cable	Diagram 1	Figure 1
DW-AD-713-M30*		M30	40mm (1.574 in)	Non-flush	N.O.	PNP	2m (6.5 ft) axial cable	Diagram 2	Figure 1
DW-AS-711-M30-002		M30	40mm (1.574 in)	Non-flush	N.O.	NPN	M12 quick-disconnect	Diagram 3	Figure 2
DW-AS-713-M30-002*		M30	40mm (1.574 in)	Non-flush	N.O.	PNP	M12 quick-disconnect	Diagram 4	Figure 2
DW-AD-712-M30		M30	40mm (1.574 in)	Non-flush	N.C.	NPN	2m (6.5 ft) axial cable	Diagram 1	Figure 1
DW-AD-714-M30		M30	40mm (1.574 in)	Non-flush	N.C.	PNP	2m (6.5 ft) axial cable	Diagram 2	Figure 1
DW-AS-712-M30-002		M30	40mm (1.574 in)	Non-flush	N.C.	NPN	M12 quick-disconnect	Diagram 3	Figure 2
DW-AS-714-M30-002		M30	40mm (1.574 in)	Non-flush	N.C.	PNP	M12 quick-disconnect	Diagram 4	Figure 2

\*IO-Link Model

## Wiring diagrams

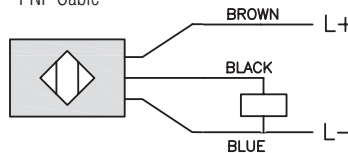
### Diagram 1

NPN Cable



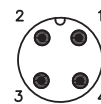
### Diagram 2

PNP Cable



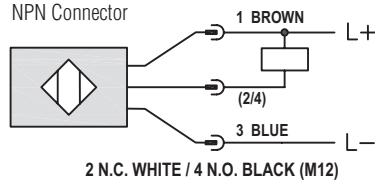
## Connectors

M12 connector



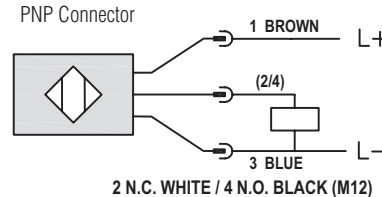
### Diagram 3

NPN Connector



### Diagram 4

PNP Connector



# DW Series 30mm Stainless Steel Triple Sensing Proximity Sensors

DW Series Specifications	DW-Ax-71x-M30
<b>Mounting Type</b>	Non-flush
<b>Nominal Sensing Distance</b>	40mm
<b>Operating Distance</b>	NA
<b>Material Correction Factors</b>	See the <a href="#">Material influence table</a>
<b>Output Type</b>	NPN or PNP, N.O. or N.C.
<b>Operating Voltage</b>	10 to 30 VDC
<b>No-load Supply Current</b>	≤ 10mA
<b>Operating (Load) Current</b>	≤ 200mA
<b>Off-state (Leakage) Current</b>	≤ 0.1 mA
<b>Voltage Drop</b>	≤ 2V
<b>Switching Frequency</b>	≤ 90 Hz
<b>Differential Travel (% of Nominal Distance)</b>	≤ 10%
<b>Repeat Accuracy</b>	2.0 mm
<b>Ripple</b>	≤ 20%
<b>Time Delay Before Availability (tv)</b>	≤ 40ms
<b>Reverse Polarity Protection</b>	Yes
<b>Short-Circuit Protection</b>	Yes
<b>Operating Temperature</b>	-25 to 70°C (-13 to 158°F)
<b>Protection Degree (DIN 40050)</b>	IP68/IP69K
<b>Indication/Switch Status</b>	Yellow LED
<b>Housing Material</b>	Stainless steel
<b>Sensing Face Material</b>	Stainless steel
<b>Shock/Vibration</b>	IEC 60947-5-2/7.4
<b>Tightening Torque</b>	--
<b>Weight</b>	196g (6.91 oz), 144g (5.08 oz)
<b>Connection</b>	2m cable, M12 connection
<b>IO-Link</b>	PNP/N.O. Version Only
<b>Agency Approvals</b>	CE, cULus E239373

Note: To obtain the most current agency approval information, see the Agency Approval Checklist section on the specific part number's web page.

## Dimensions

mm [inches]

Figure 1

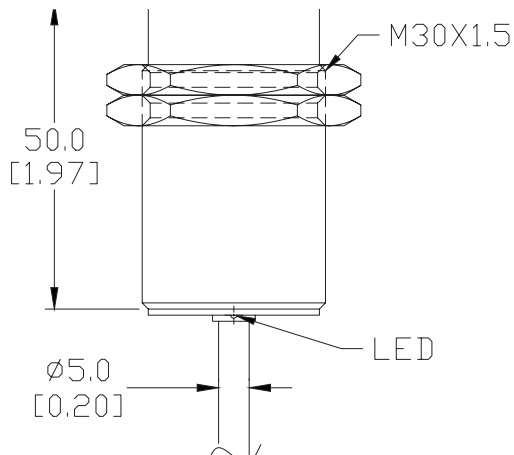
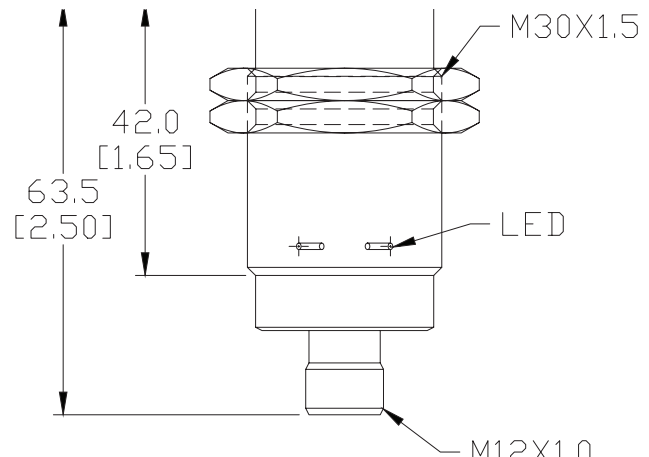


Figure 2



SEE OUR WEBSITE: [WWW.AUTOMATIONDIRECT.COM](http://WWW.AUTOMATIONDIRECT.COM) FOR COMPLETE ENGINEERING DRAWINGS.

# Accessories for 30mm Sensors

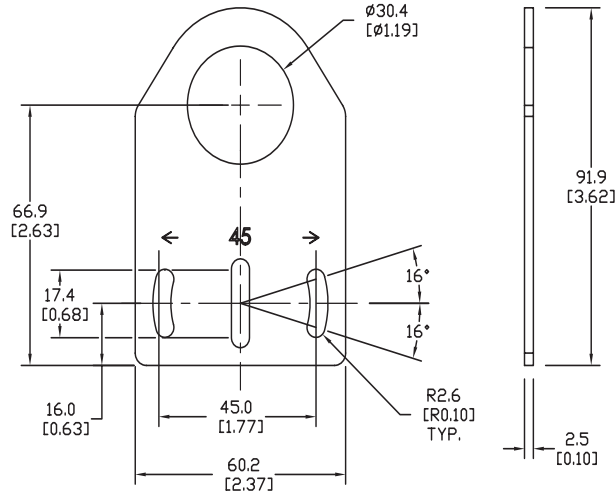
## Axial Mounting Bracket

Mounting bracket, axial, zinc-plated steel. For use with 30mm sensors. Has two mounting holes (use 5mm screws) and allows the rotation of an optical axis for right-beam-angle-adaptor sensors. Hexagonal nuts not included.

Accessories for 30mm Sensors			
Part Number	Price	Description	Weight lb [g]
<b>ST30A</b>		Mounting bracket, axial, zinc plated steel. For use with 30mm sensors.	0.18 (81.7)

### Dimensions

mm [inches]



ST30A

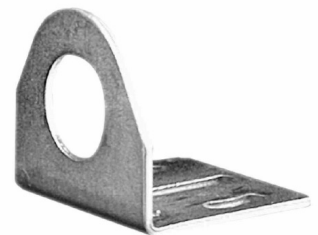
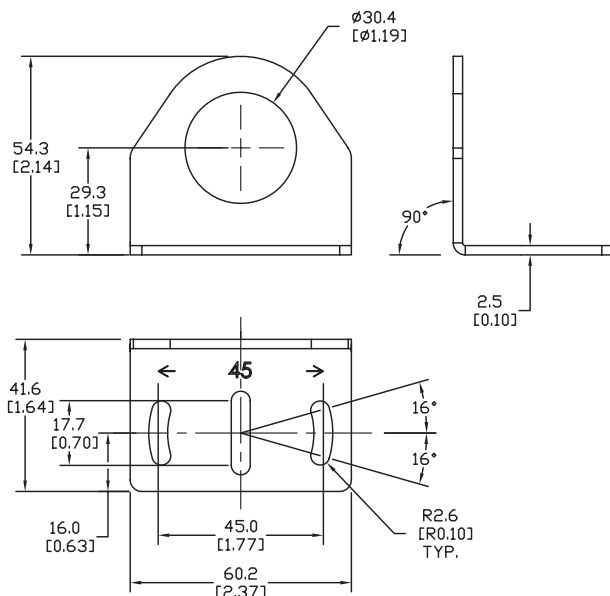
## Right-angle Mounting Bracket

Mounting bracket, right-angle, zinc-plated steel. For use with 30mm sensors. Has two mounting holes (use 5mm screws) and allows the rotation of an optical axis for axial sensors. Hexagonal nuts not included.

Accessories for 30mm Sensors			
Part Number	Price	Description	Weight lb [g]
<b>ST30C</b>		Mounting bracket, right-angle, zinc plated steel. For use with 30mm sensors.	0.18 (81.7)

### Dimensions

mm [inches]



ST30C

# Accessories for 30mm Sensors

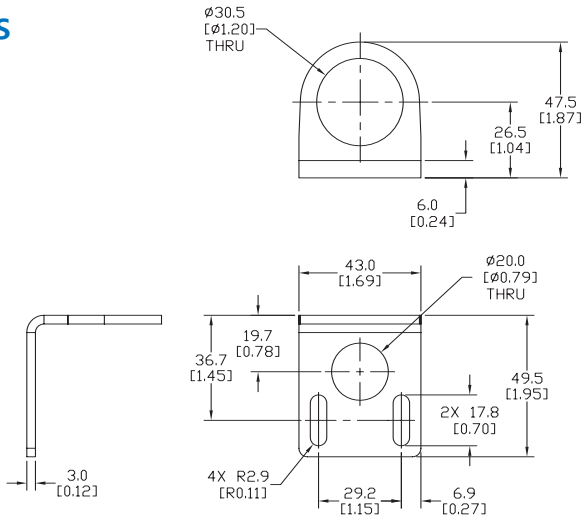
## Right-angle Mounting Bracket

Mounting bracket, right-angle, 304 stainless steel. For use with 30mm sensors.

Accessories for FW Series Sensors			
Part Number	Price	Description	Weight lb [g]
<b><u>ST30C6W</u></b>		Mounting bracket, right-angle, 304 stainless steel. For use with 30mm sensors.	0.15 (68.0)

### Dimensions

mm [inches]



ST30C6W

## Right-angle Swivel Mounting Systems

Mounting bracket, right-angle swivel, 360 degree vertical and horizontal adjustment, 12mm rod mount. For use with 30mm sensors. Available in all 304 stainless steel or with an aluminum head with a 304 stainless steel mounting plate.

Accessories for 30mm Sensors						
Part Number	Price	Description	Mounting Head	Mounting Plate	Drawing Link	Weight lb [g]
<b><u>OPT2118</u></b>		Wenglor mounting bracket, right-angle swivel, 360 degree vertical and horizontal adjustment, aluminum, 12mm rod mount. For use with 30mm sensors.	Aluminum	304 Stainless steel	<a href="#">PDF</a>	0.18 (81.7)
<b><u>OPT2119</u></b>		Wenglor mounting bracket, right-angle swivel, 360 degree vertical and horizontal adjustment, 304 stainless steel, 12mm rod mount. For use with 30mm sensors.	304 Stainless Steel	304 Stainless steel	<a href="#">PDF</a>	0.18 (81.7)

Note: 304 Stainless steel mounting rods sold separately: OPT2109 (200mm [7.87 in] length), OPT2110 (300mm [11.81 in] length), and OPT2111 (500mm [19.69 in] length).



OPT2118, OPT2119

# Mounting Rods and Brackets

## Mounting Rods

304 Stainless steel rods for mounting swivel brackets OPT2112 - OPT2127. Available in three lengths: 200mm, 300mm, and 500mm. 12mm diameter.



Mounting Rods for OPT2112-2127 Swivel Mounting Brackets				
Part Number	Price	Description	Drawing Link	Weight lb (g)
<a href="#">OPT2109</a>		Wenglor mounting rod, 12mm diameter, 200mm length, 304 stainless steel.	<a href="#">PDF</a>	0.41 (185.97)
<a href="#">OPT2110</a>		Wenglor mounting rod, 12mm diameter, 300mm length, 304 stainless steel.	<a href="#">PDF</a>	0.60 (272.16)
<a href="#">OPT2111</a>		Wenglor mounting rod, 12mm diameter, 500mm length, 304 stainless steel.	<a href="#">PDF</a>	0.98 (444.52)

## Right-angle Mounting Bracket

Mounting bracket, right-angle, nickel-plated brass. For use with 12mm mounting rods OPT2109, OPT2110 & OPT2111.



Right-angle Mounting Brackets for 12mm Sensors				
Part Number	Price	Description	Drawing Link	Weight lb (g)
<a href="#">OPT2108</a>		Wenglor mounting bracket, right-angle, nickel plated brass. For use with 12mm mounting rods OPT2109, OPT2110 & OPT2111.	<a href="#">PDF</a>	0.07 (31.8)