

# V Series AC & AC/DC Inductive Proximity Sensors



## M30 (30mm)

- Ten models available
- Low cost/high performance
- LED status indicators are visible at a wide angle
- Axial cable and 1/2 in. micro AC quick-disconnect models
- Purchase cable separately (for quick-disconnect models)
- Lifetime warranty



V Series M30 AC & AC/DC Inductive Prox Selection Chart								
Part Number	Price	Sensing Range <sup>1</sup>	Mounting	Output State	Voltage	Connection	Wiring	Dimensions
<b>Standard</b>								
<b>VT1-A0-1B</b>		10mm (0.394 in)	Flush	N.O.	20-253 VAC	2m (6.5 ft) axial cable	Diagram 2	Figure 1
<b>VT1-A0-2B</b>		15mm (0.590 in)	Non-flush					
<b>Extended</b>								
<b>V3T1-R0-3A8F</b>		12mm (0.472 in)	Flush	N.O. (VAC) or N.O./N.C. (VDC)	20-250 VAC/VDC	2m (6.5 ft) axial cable	Diagram 1	Figure 2
<b>V3T1-S0-3A8F</b>				N.C. (VAC) or N.O./N.C. (VDC)			Diagram 3	Figure 2
<b>V3T1-R0-3Q</b>				N.O. (VAC) or N.O./N.C. (VDC)		1/2"-20 UNF, micro AC quick-disconnect	Diagram 4	Figure 3
<b>V3T1-S0-3Q</b>				N.C. (VAC) or N.O./N.C. (VDC)			Diagram 5	Figure 3
<b>V3T1-R0-4A8F</b>		18mm (0.708 in)	Non-flush	N.O. (VAC) or N.O./N.C. (VDC)		2m (6.5 ft) axial cable	Diagram 1	Figure 2
<b>V3T1-S0-4A8F</b>				N.C. (VAC) or N.O./N.C. (VDC)			Diagram 3	Figure 2
<b>V3T1-R0-4Q</b>				N.O. (VAC) or N.O./N.C. (VDC)		1/2"-20 UNF, micro AC quick-disconnect	Diagram 4	Figure 3
<b>V3T1-S0-4Q</b>				N.C. (VAC) or N.O./N.C. (VDC)			Diagram 5	Figure 3

<sup>1</sup>With 30mm x 30mm Fe360 target

## Wiring Diagrams

Diagram 1

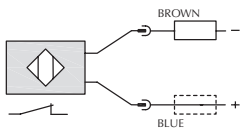
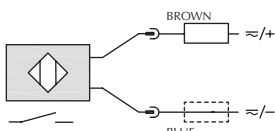


Diagram 3

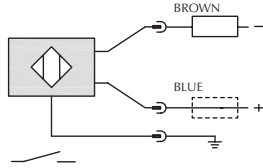
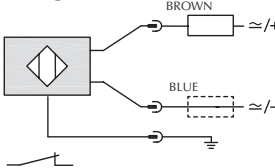


Diagram 2

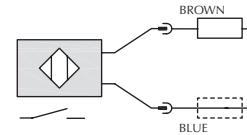
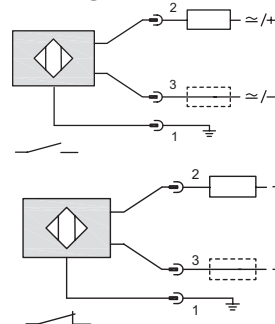
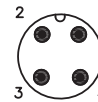


Diagram 4

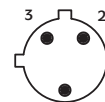


## Connectors

M12 connector



1/2 in. micro AC



Note: Pin 2 is not present on some models.

# V Series AC & AC/DC Inductive Proximity Sensors

Specifications		VT1 Models		V3T1 Models	
<b>Mounting Type</b>		Flush	Non-flush	Flush	Non-flush
<b>Nominal Sensing Distance (mm)</b>		5	8	12	18
<b>Operating Distance</b>		NA		0–9.7 mm	0–14.6 mm
<b>Material Correction Factors</b>		See <a href="#">Material Influence Table</a>			
<b>Output Type</b>		Triac/N.O./2-wire		N.O. or N.C. (VAC) N.O./N.C. (VDC)	
<b>Operating Voltage</b>		20–253 VAC, 50/60 Hz		20–250 VAC/VDC	
<b>No-load Supply Current</b>		NA			
<b>Operating (Load) Current</b>	<b>DC</b>	NA		200mA	
	<b>AC</b>	5–300 mA (RMS)		140mA	
<b>Off-state Leakage Current</b>	<b>DC</b>	NA		0.70 mA	
	<b>AC</b>	1.0 mA max. (RMS)		1mA	
<b>Voltage Drop</b>		≤ 8.8 VAC		≤ 7.5 VAC / ≤ 8VDC	
<b>Switching Frequency</b>		25Hz		250Hz	190Hz
<b>Differential Travel (% of Nominal Distance)</b>		2–10%		1–20%	
<b>Repeat Accuracy</b>		5%		≤ 5%	
<b>Peak Current</b>		NA		600mA/150ms Max.	
<b>Time Delay Before Availability (tv)</b>		200ms		100ms	
<b>Reverse Polarity Protection</b>		NA		Yes	
<b>Short Circuit Protection:</b>	<b>Overload</b>	No		Yes	
	<b>Overvoltage</b>			Yes	
<b>Operating Temperature</b>		-25° to +70°C (-13° to 158°F)		-25° to +70°C (-13° to 158°F)	
<b>Protection Degree (DIN 40 050)</b>		IEC IP67		IP67	
<b>LED Indicators</b>		Yellow (output energized)			
<b>Housing Material</b>		Nickel-plated brass			
<b>Sensing Face Material</b>		Polybutylene Terephthalate (PBT)		PA4T	
<b>Shock/Vibration</b>		IEC 60947-5-2			
<b>Tightening Torque</b>		25 N·m (18.44 lb·ft)		50 N·m (37 lb·ft)	
<b>Weight</b>		120g (4.23 oz)		120g Plug; 170g Cable	
<b>Connection</b>		2m (6.5 ft) axial cable		2m (6.5 ft) axial cable or 1/2"-20 UNF, micro AC quick-disconnect	
<b>Agency Approvals</b>		CE, UL Recognized file E130644		CE, UL E187310	

## Dimensions

mm [inches]

Figure 1

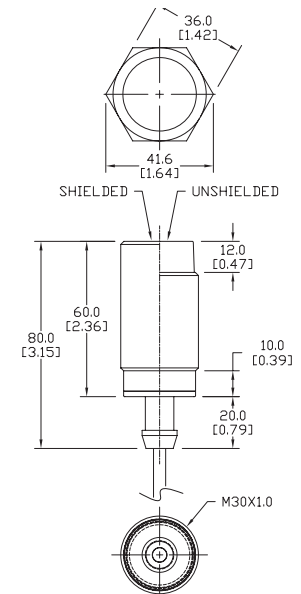


Figure 2

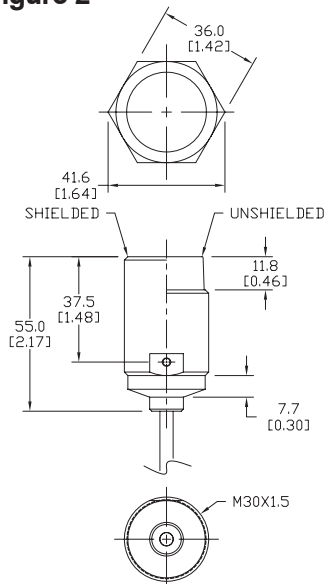
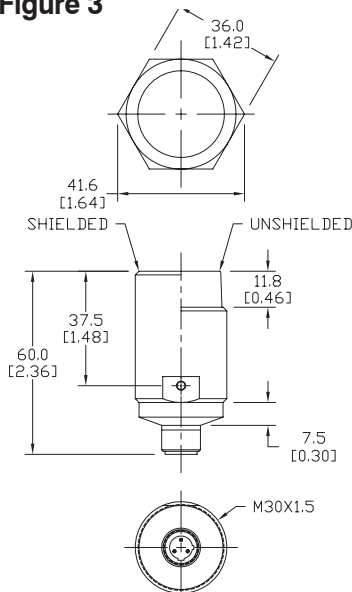


Figure 3



NOTE: Each sensor ships with jam nuts.

# Accessories for 30mm Sensors

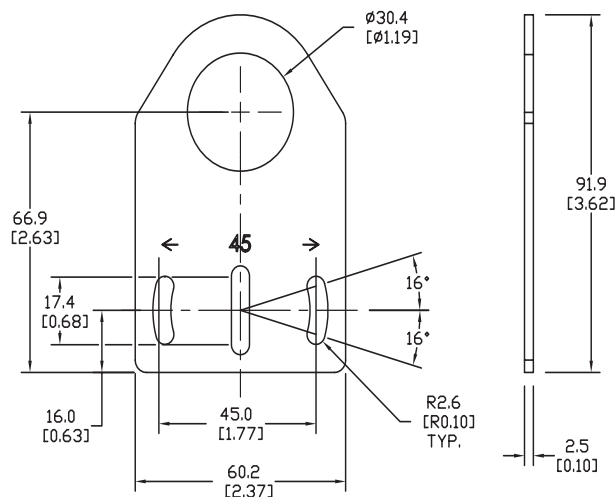
## Axial Mounting Bracket

Mounting bracket, axial, zinc-plated steel. For use with 30mm sensors. Has two mounting holes (use 5mm screws) and allows the rotation of an optical axis for right-beam-angle-adaptor sensors. Hexagonal nuts not included.

Accessories for 30mm Sensors			
Part Number	Price	Description	Weight lb [g]
<b>ST30A</b>		Mounting bracket, axial, zinc plated steel. For use with 30mm sensors.	0.18 (81.7)

### Dimensions

mm [inches]



ST30A

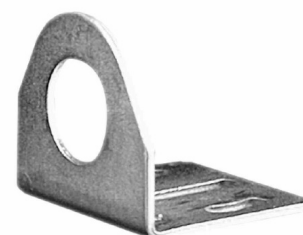
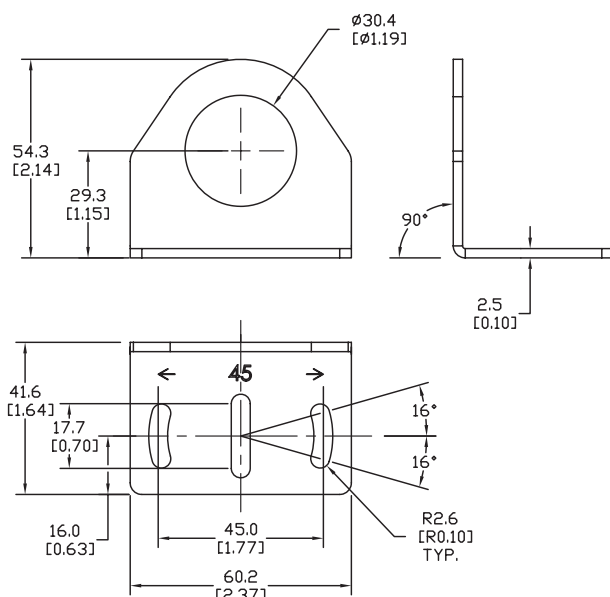
## Right-angle Mounting Bracket

Mounting bracket, right-angle, zinc-plated steel. For use with 30mm sensors. Has two mounting holes (use 5mm screws) and allows the rotation of an optical axis for axial sensors. Hexagonal nuts not included.

Accessories for 30mm Sensors			
Part Number	Price	Description	Weight lb [g]
<b>ST30C</b>		Mounting bracket, right-angle, zinc plated steel. For use with 30mm sensors.	0.18 (81.7)

### Dimensions

mm [inches]



ST30C

