

DW Series 8mm Stainless Steel Triple Sensing Proximity Sensors



Miniature M8 (8mm) – DC

- Twelve models available
- 8mm threaded triple distance proximity sensor
- Complete overload protection
- IP67 and IP68-rated
- Two M8 lock nuts included
- Stainless steel construction
- LED status indicator
- One-piece for Harsh duty applications
- Lifetime warranty

DW Series M8 Triple Distance Inductive Prox Selection Chart

Part Number	Price	Size	Sensing Range	Mounting	Output State	Logic	Connection	Wiring	Dimensions
Triple Distance									
DW-AD-711-M8		M8	6mm (0.236 in)	Non-flush	N.O.	NPN	2m (6.5 ft) axial cable	Diagram 1	Figure 1
DW-AD-713-M8		M8	6mm (0.236 in)	Non-flush	N.O.	PNP	2m (6.5 ft) axial cable	Diagram 2	Figure 1
DW-AS-711-M8-001		M8	6mm (0.236 in)	Non-flush	N.O.	NPN	M8 quick-disconnect	Diagram 3	Figure 2
DW-AS-713-M8-001		M8	6mm (0.236 in)	Non-flush	N.O.	PNP	M8 quick-disconnect	Diagram 4	Figure 2
DW-AS-711-M8		M8	6mm (0.236 in)	Non-flush	N.O.	NPN	M12 quick-disconnect	Diagram 3	Figure 3
DW-AS-713-M8		M8	6mm (0.236 in)	Non-flush	N.O.	PNP	M12 quick-disconnect	Diagram 4	Figure 3
DW-AD-712-M8		M8	6mm (0.236 in)	Non-flush	N.C.	NPN	2m (6.5 ft) axial cable	Diagram 1	Figure 1
DW-AD-714-M8		M8	6mm (0.236 in)	Non-flush	N.C.	PNP	2m (6.5 ft) axial cable	Diagram 2	Figure 1
DW-AS-712-M8-001		M8	6mm (0.236 in)	Non-flush	N.C.	NPN	M8 quick-disconnect	Diagram 3	Figure 2
DW-AS-714-M8-001		M8	6mm (0.236 in)	Non-flush	N.C.	PNP	M8 quick-disconnect	Diagram 4	Figure 2
DW-AS-712-M8		M8	6mm (0.236 in)	Non-flush	N.C.	NPN	M12 quick-disconnect	Diagram 3	Figure 3
DW-AS-714-M8		M8	6mm (0.236 in)	Non-flush	N.C.	PNP	M12 quick-disconnect	Diagram 4	Figure 3

Dimensions

mm [inches]

Figure 1

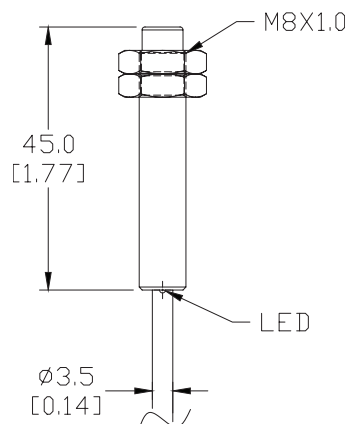


Figure 2

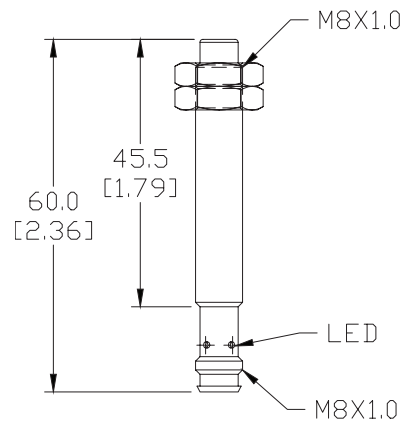
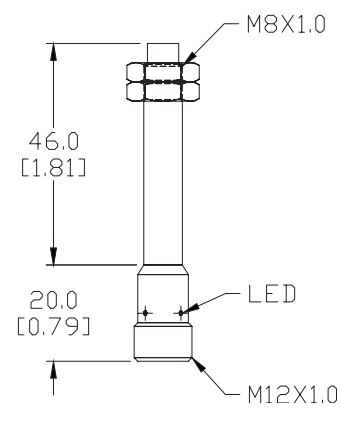


Figure 3



See our website for complete engineering drawings.

DW Series 8mm Stainless Steel Triple Sensing Proximity Sensors

DW Series M8 Stainless Steel Specifications	
Sensor	DW-Ax-71x-M8-x
Mounting Type	Non-flush
Nominal Sensing Distance	6mm
Operating Distance	-
Material Correction Factors	See the Material influence table
Output Type	NPN or PNP, N.O. or N.C.
Operating Voltage	10 to 30 VDC
No-load Supply Current	≤ 10mA
Operating (Load) Current	≤ 100mA
Off-state (Leakage) Current	≤ 0.1 mA
Voltage Drop	≤ 2 V
Switching Frequency	≤ 700Hz
Differential Travel (% of Nominal Distance)	≤ 15%
Repeat Accuracy	0.30 mm
Ripple	≤ 20%
Time Delay Before Availability (tv)	≤ 70ms
Reverse Polarity Protection	Yes
Short-Circuit Protection	Yes
Operating Temperature	-25 to 70°C (-13 to 158°F)
Protection Degree (DIN 40050)	IP67, IP68
Indication/Switch Status	Yellow LED
Housing Material	Stainless steel
Sensing Face Material	Stainless steel
Shock/Vibration	IEC 60947-5-2/7.4
Tightening Torque	-
Weight	50g (1.73 oz), 18g (0.63 oz)
Connection	2m cable, M8 connection, M12 connection
IO-Link	-
Agency Approvals	CE, cULus E239373

Note: To obtain the most current agency approval information, see the Agency Approval Checklist section on the specific part number's web page.

Wiring diagrams

Diagram 1

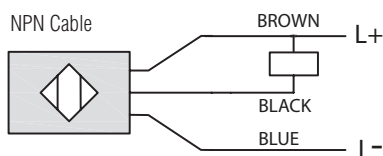


Diagram 2

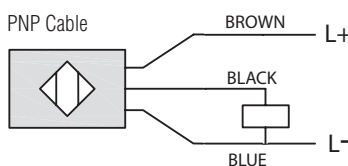


Diagram 3

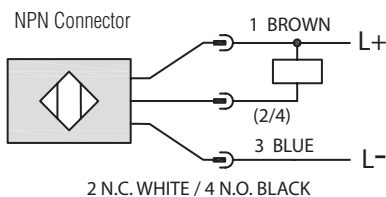
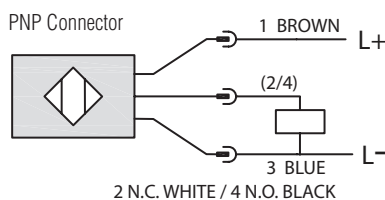
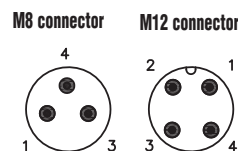


Diagram 4



Connectors



Accessories for 8mm Sensors

Axial Mounting Bracket

Mounting bracket, axial, zinc-plated steel. For use with 8mm sensors. Has two mounting holes (use 3 mm screws) and allows the rotation of an optical axis for axial sensors. Hexagonal nuts not included.

Accessories for 8mm Sensors				
Part Number	Price	Description	Drawing Link	Weight [lb]
ST08A		Micro Detectors mounting bracket, axial, zinc plated steel. For use with 8mm sensors.	PDF	0.04



ST08A

Right-angle Mounting Bracket

Mounting bracket, right-angle, zinc-plated steel. For use with 8mm sensors. Has two mounting holes (use 3mm screws) and allows the rotation of an optical axis for right-beam-angle-adaptor sensors. Hexagonal nuts not included.

Accessories for 8mm Sensors				
Part Number	Price	Description	Drawing Link	Weight [lb]
ST08C		Micro Detectors mounting bracket, right-angle, zinc plated steel. For use with 8mm sensors.	PDF	0.04



ST08C

Accessories for 8mm Sensors

Right-angle Mounting Bracket

Mounting bracket, right-angle, plastic. For use with 8mm sensors.

Accessories for 8mm Sensors				
Part Number	Price	Description	Drawing Link	Weight [lb]
OPT2101		Wenglor mounting bracket, right-angle, plastic. For use with 8mm sensors.	PDF	0.02



OPT2101

Right-angle Swivel Mounting Systems

Mounting bracket, right-angle swivel, 360 degree vertical and horizontal adjustment. For use with 8mm sensors. Available in all stainless steel or with an aluminum head and stainless steel mounting plate.

Accessories for 8mm Sensors						
Part Number	Price	Description	Mounting Head	Mounting Plate	Drawing Link	Weight [lb]
OPT2112		Wenglor mounting bracket, right-angle swivel, 360 degree vertical and horizontal adjustment, aluminum, 12mm rod mount. For use with 8mm sensors.	Aluminum	304 Stainless Steel	PDF	0.14
OPT2113		Wenglor mounting bracket, right-angle swivel, 360 degree vertical and horizontal adjustment, 304 stainless steel, 12mm rod mount. For use with 8mm sensors.	304 Stainless Steel	304 Stainless Steel	PDF	0.26



OPT2112 & OPT2113

Note: 304 Stainless steel mounting rods sold separately: OPT2109 (200mm length), OPT2110 (300mm length), and OPT2111 (500mm length).

Mounting Rods and Brackets

Mounting Rods

304 Stainless steel rods for mounting swivel brackets OPT2112 - OPT2127. Available in three lengths: 200mm, 300mm, and 500mm. 12mm diameter.



Mounting Rods for OPT2112-2127 Swivel Mounting Brackets				
Part Number	Price	Description	Drawing Link	Weight lb (g)
OPT2109		Wenglor mounting rod, 12mm diameter, 200mm length, 304 stainless steel.	PDF	0.41 (185.97)
OPT2110		Wenglor mounting rod, 12mm diameter, 300mm length, 304 stainless steel.	PDF	0.60 (272.16)
OPT2111		Wenglor mounting rod, 12mm diameter, 500mm length, 304 stainless steel.	PDF	0.98 (444.52)

Right-angle Mounting Bracket

Mounting bracket, right-angle, nickel-plated brass. For use with 12mm mounting rods OPT2109, OPT2110 & OPT2111.



Right-angle Mounting Brackets for 12mm Sensors				
Part Number	Price	Description	Drawing Link	Weight lb (g)
OPT2108		Wenglor mounting bracket, right-angle, nickel plated brass. For use with 12mm mounting rods OPT2109, OPT2110 & OPT2111.	PDF	0.07 (31.8)