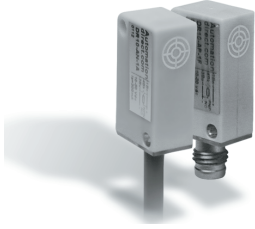


# DR10 Series Inductive Proximity Sensors

10 x 16 mm plastic – DC

- Eight models available
- Compact plastic housing
- Axial cable or M8 quick-disconnect models
- Complete overload protection
- IP67 rated
- Purchase cable separately
- Lifetime warranty



DR10 Series Rectangular DC Inductive Prox Selection Chart								
Part Number	Price	Sensing Range	Mounting	Output State	Logic	Connection	Wiring	Dimensions
DR10-AN-1A		3mm (0.118 in)	Flush	N.O.	NPN	2m (6.5') axial cable	Diagram 1	Figure 1
DR10-AP-1A					PNP	2m (6.5') axial cable	Diagram 2	Figure 1
DR10-AN-1F					NPN	M8 (8mm) connector	Diagram 1	Figure 2
DR10-AP-1F					PNP	M8 (8mm) connector	Diagram 2	Figure 2
DR10-AN-2A		6mm (0.236 in)	Non-flush	N.O.	NPN	2m (6.5') axial cable	Diagram 1	Figure 1
DR10-AP-2A					PNP	2m (6.5') axial cable	Diagram 2	Figure 1
DR10-AN-2F					NPN	M8 (8mm) connector	Diagram 1	Figure 2
DR10-AP-2F					PNP	M8 (8mm) connector	Diagram 2	Figure 2

## Dimensions

mm [inches]

Figure 1

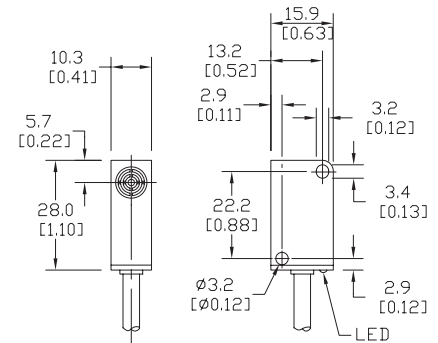
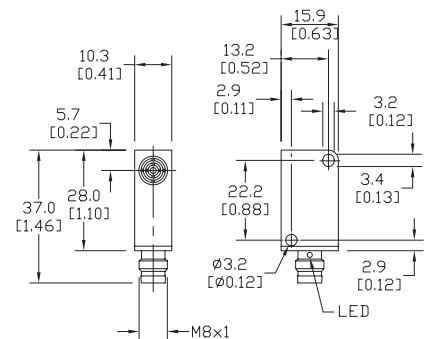


Figure 2



Specifications		
Mounting Type	Flush	Non-flush
Nominal Distance	3mm (0.118in)	6mm (0.236in)
Operating Distance	NA	
Material Correction Factors	See the <a href="#">Material influence table</a>	
Output Type	NPN or PNP/N.O. only/3-wire	
Operating Voltage	10-30VDC	
No-load Supply Current	≤ 10mA	
Operating (Load) Current	≤ 300mA	
Off-state (Leakage) Current	≤ 10µA	
Voltage Drop	≤ 1.5 V	
Switching Frequency	3kHz	
Differential Travel	≤ 1-10%	
Repeat Accuracy	≤ 1%	
Ripple	≤ 10%	
Time Delay Before Availability (tv)	2ms	
Reverse Polarity Protection	Yes	
Short-Circuit Protection	Yes (switch auto-resets after overload is removed)	
Operating Temperature	-25° to +75° C (-13° to 167° F)	
Protection Degree (DIN 40050)	IEC IP67	
Indication/Switch Status	Yellow (output energized)	
Housing Material	Plastic	
Sensing Face Material	Plastic	
Shock/Vibration	See <a href="#">Proximity Sensor Terminology</a>	
Tightening Torque	NA	
Weight	113g (3.99oz)/6g (0.21oz)	
Connection	2m (6.5 ft) PVC axial cable or M8 (8mm) connector	
Agency Approvals	CE	

## Wiring diagrams

Diagram 1

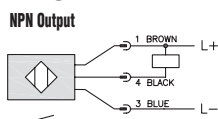
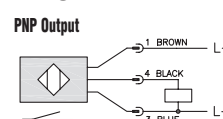


Diagram 2



## Connector

M8 connector

