

# proSense® Thermocouple Adjustable Immersion Sensors

THMJ & K - D08LXX-01 & 02

THMJ & K - A01LXX-01 & 02

## Overview

- All temperature sensors are pre-built stock items
- Ideal thermocouple sensors for the plastics processing industry
- Type J or K thermocouple elements to meet many temperature sensing applications
- Spring adjustable and armor adjustable styles allow for variable immersion depths
- Integral bayonet cap makes installation and removal quick and easy when used with a bayonet adaptor or pipe clamp adapter
- Made in the USA



Spring Adjustable



Armor Adjustable



Shown with optional PCA pipe clamp adapter



Thermocouple Spring Adjustable Immersion Sensors - Types J and K									
Part Number	Pcs/Pkg	Wt (lb)	Price	Type	Junction Type	Sensor Dimensions	Lead Wire Length (ft)	Temperature Sensing Range	Mounting
THMJ-D08L04-01	1	0.6		J	Grounded	1/4" length x 3/16" O.D. sensing tip 8" length x 0.263" diameter spring.	4	0 to 482°C (32 to 900°F)	Bayonet fitting cap 7/16" inside diameter, single slot. Mount with ProSense bayonet fitting adapter or pipe clamp adapter (purchased separately - see accessories)
THMJ-D08L06-01				J			6		
THMJ-D08L10-01				J			10		
THMK-D08L04-01				K			4		
THMK-D08L06-01				K			6		
THMK-D08L10-01				K			10		
THMJ-D08L10-02				J	10		Ungrounded		
THMK-D08L10-02				K	10				

Thermocouple Armor Adjustable Immersion Sensors - Types J and K									
Part Number	Pcs/Pkg	Wt (lb)	Price	Type	Junction Type	Sensor Dimensions	Lead Wire Length (ft)	Temperature Sensing Range	Mounting
THMJ-A01L04-01	1	0.6		J	Grounded	1/4" length x 3/16" O.D. sensing tip 0.275" O.D. flexible armor	4	0 to 482°C (32 to 900°F)	Bayonet fitting cap 7/16" inside diameter, single slot. Mount with ProSense bayonet fitting adapter or pipe clamp adapter (purchased separately - see accessories)
THMJ-A01L06-01				J			6		
THMJ-A01L10-01				J			10		
THMK-A01L04-01				K			4		
THMK-A01L06-01				K			6		
THMK-A01L10-01				K			10		
THMJ-A01L10-02				J	10		Ungrounded		
THMK-A01L10-02				K	10				

Technical Specifications	
ASTM E320 Standard Limits of Error	±2.2°C (±4.0°F) or 0.75%, whichever is greater
Probe	1/4" length x 3/16" O.D. sensing tip, 316 stainless steel sheath, single thermocouple element
Response Time	2.9 seconds, 63.2% of a 25-77°C step change per method ASTM E839
Wiring	Spring adjustable: Stranded 20 AWG wire leads with stripped ends, fiberglass insulation and stainless steel overbraid Armor adjustable: Stranded 20 AWG wire leads with stripped ends, fiberglass insulation and flexible armor This probe is not sealed and cannot be immersed in liquids.



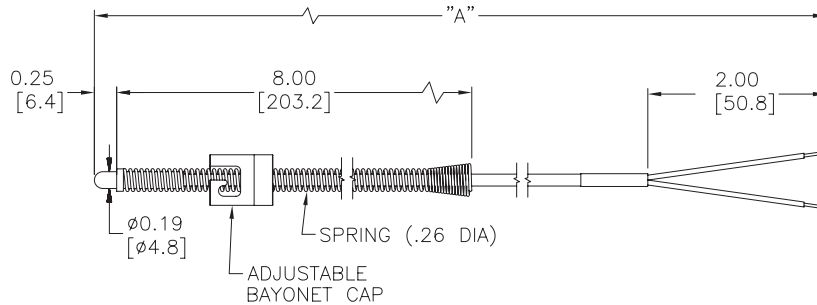
NOTE: CHECK THE CHEMICAL COMPATIBILITY OF THE SENSOR'S WETTED PARTS WITH THE MEDIUM TO BE MEASURED.

# pro<sup>o</sup>ense<sup>®</sup> Thermocouple Adjustable Immersion Sensors

## Dimensions

inches [mm]

THMJ & K - D08LXX-01 & 02

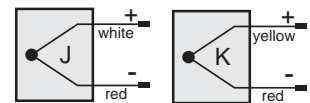


PART NUMBER	DIM "A"
THMJ-D08L04-01	48.00[1219.2]
THMJ-D08L06-01	72.00[1828.8]
THMJ-D08L10-01	120.00[3048.0]
THMK-D08L04-01	48.00[1219.2]
THMK-D08L06-01	72.00[1828.8]
THMK-D08L10-01	120.00[3048.0]
THMJ-D08L10-02	120.00[3048.0]
THMK-D08L10-02	120.00[3048.0]

## Wiring Information

Type J: (+) white (-) red  
Type K: (+) yellow (-) red

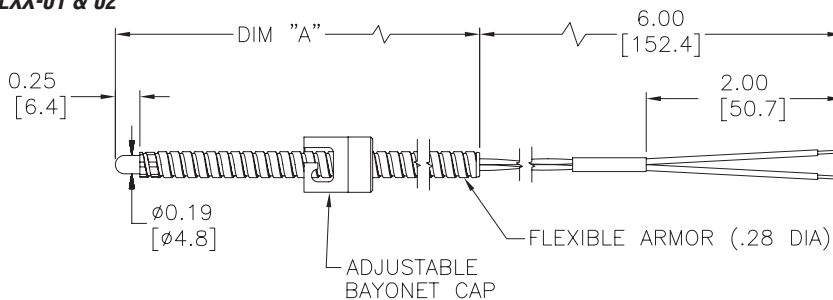
- Must use thermocouple extension lead wire, see end of this section
- Observe polarity when making connections
- Do not use standard wire nuts



## Dimensions

inches [mm]

THMJ & K - A01LXX-01 & 02

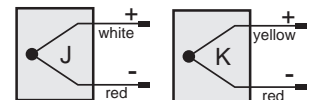


PART NUMBER	DIM "A"
THMJ-A01L04-01	48.00[1219.2]
THMJ-A01L06-01	72.00[1828.8]
THMJ-A01L10-01	120.00[3048.0]
THMK-A01L04-01	48.00[1219.2]
THMK-A01L06-01	72.00[1828.8]
THMK-A01L10-01	120.00[3048.0]
THMJ-A01L10-02	120.00[3048.0]
THMK-A01L10-02	120.00[3048.0]

## Wiring Information

Type J: (+) white (-) red  
Type K: (+) yellow (-) red

- Must use thermocouple extension lead wire, see end of this section.
- Observe polarity when making connections.
- Do not use standard wire nuts



# pro<sup>sense</sup>® Thermocouple Adjustable Immersion Sensors - Accessories

## Accessories

Part No.	Description	Pcs/Pkg	Price
<b>BA-078</b>	Bayonet adapter, 7/8 inch long, 7/16 inch outside diameter, 9/32 inch inside diameter, 1/8 inch MNPT	1	
<b>BA-100</b>	Bayonet adapter, 1 inch long, 7/16 inch outside diameter, 9/32 inch inside diameter, 1/8 inch MNPT	1	
<b>BA-114</b>	Bayonet adapter, 1-1/4 inch long, 7/16 inch outside diameter, 9/32 inch inside diameter, 1/8 inch MNPT	1	
<b>BA-112</b>	Bayonet adapter, 1-1/2 inch long, 7/16 inch outside diameter, 9/32 inch inside diameter, 1/8 inch MNPT	1	
<b>BA-200</b>	Bayonet adapter, 2 inch long, 7/16 inch outside diameter, 9/32 inch inside diameter, 1/8 inch MNPT	1	
<b>BA-212</b>	Bayonet adapter, 2-1/2 long, 7/16 inch outside diameter, 9/32 inch inside diameter, 1/8 inch MNPT	1	
<b>BA-300</b>	Bayonet adapter, 3 inch long, 7/16 inch outside diameter, 9/32 inch inside diameter, 1/8 inch MNPT	1	
<b>BA-312</b>	Bayonet adapter, 3-1/2 long, 7/16 inch outside diameter, 9/32 inch inside diameter, 1/8 inch MNPT	1	
<b>PCA-125</b>	Pipe clamp adapter, 11/16 to 1-1/4 inch adjustable diameter, 2-inch attached bayonet adapter with 7/16 inch outside diameter and 9/32 inch inside diameter. Use with Prosense adjustable immersion sensors.	1	
<b>PCA-200</b>	Pipe clamp adapter with 1-1/16 to 2 inch adjustable diameter, 2-inch attached bayonet adapter with 7/16 inch outside diameter and 9/32 inch inside diameter. Use with Prosense adjustable immersion sensors.	1	
<b>PCA-300</b>	Pipe clamp adapter with 2-1/16 to 3 inch adjustable diameter, 2-inch attached bayonet adapter with 7/16 inch outside diameter and 9/32 inch inside diameter. Use with Prosense adjustable immersion sensors.	1	
<b>PCA-425</b>	Pipe clamp adapter with 3-5/16 to 4-1/4 inch adjustable diameter, 2-inch attached bayonet adapter with 7/16 inch outside diameter and 9/32 inch inside diameter. Use with Prosense adjustable immersion sensors.	1	
<b>PCA-500</b>	Pipe clamp adapter with 4-1/8 to 7 inch adjustable diameter, 2-inch attached bayonet adapter with 7/16 inch outside diameter and 9/32 inch inside diameter. Use with Prosense adjustable immersion sensors.	1	
<b>THMJ-SP</b>	Thermocouple connector, Type J, standard round pin plug, maximum continuous temperature 400 F (200 C), glass filled thermoplastic black body, thermocouple material pins, 14 AWG maximum (2.0 mm) wire size	1	
<b>THMJ-SJ</b>	Thermocouple connector, Type J, standard round pin jack, maximum continuous temperature 400 F (200 C), glass filled thermoplastic black body, thermocouple material pins, 14 AWG maximum (2.0 mm) wire size	1	
<b>THMK-SP</b>	Thermocouple connector, Type K, standard round pin plug, maximum continuous temperature 400 F (200 C), glass filled thermoplastic yellow body, thermocouple material pins, 14 AWG maximum (2.0 mm) wire size	1	
<b>THMK-SJ</b>	Thermocouple connector, Type K, standard round pin jack, maximum continuous temperature 400 F (200 C), glass filled thermoplastic yellow body, thermocouple material pins, 14 AWG maximum (2.0 mm) wire size	1	
<b>THMJ-SPJ</b>	Thermocouple connector, Type J, standard round pin panel jack, maximum continuous temperature 400 F (200 C), glass filled thermoplastic black body, thermocouple material pins, 14 AWG (2.0 mm) maximum wire size	1	
<b>THMK-SPJ</b>	Thermocouple connector, Type K, standard round pin panel jack, maximum continuous temperature 400 F (200 C), glass filled thermoplastic yellow body, thermocouple material pins, 14 AWG (2.0 mm) maximum wire size	1	
<b>WCB-S</b>	Wire / cable clamp bracket for use with standard thermocouple and RTD connectors.	4	

**Note:** Thermocouple extension lead wire available at the end of this section.  
See end of section for full listing of accessories and dimension information.

**BA-078**



**THMJ-SJ**



**PCA-XXX**



**BA-114**



**THMJ-SP**



**Pipe Clamp Adapter**

**BA-300**



**THMJ-SPJ**



**Bayonet Mounting Adapters**

**Thermocouple Connectors**

# pro<sup>o</sup>ense<sup>®</sup> Compression Mounting Fittings for Temperature Probes

Compression Mounting Fittings for Temperature Probes				
Part Number	Description	Pcs/ Pkg	Wt(lb)	Price
<b>BCF18-125N</b>	Compression fitting, brass, for 1/8 inch diameter temperature probes, 1/8 inch NPT male thread	1	0.5	
<b>BCF14-125N</b>	Compression fitting, brass, for 1/4 inch diameter temperature probes, 1/8 inch NPT male thread	1	0.5	
<b>BCF18-25N</b>	Compression fitting, brass, for 1/8 inch diameter temperature probes, 1/4 inch NPT male thread	1	0.5	
<b>BCF14-25N</b>	Compression fitting, brass, for 1/4 inch diameter temperature probes, 1/4 inch NPT male thread	1	0.5	
<b>BCF18-50N</b>	Compression fitting, brass, for 1/8 inch diameter temperature probes, 1/2 inch NPT male thread	1	0.5	
<b>BCF14-50N</b>	Compression fitting, brass, for 1/4 inch diameter temperature probes, 1/2 inch NPT male thread	1	0.5	
<b>CF18-125N</b>	Compression fitting, 316 stainless steel, for 1/8 inch diameter temperature probes, 1/8 inch NPT male thread	1	0.5	
<b>CF14-125N</b>	Compression fitting, 316 stainless steel, for 1/4 inch diameter temperature probes, 1/8 inch NPT male thread	1	0.5	
<b>CF18-25N</b>	Compression fitting, 316 stainless steel, for 1/8 inch diameter temperature probes, 1/4 inch NPT male thread	1	0.5	
<b>CF14-25N</b>	Compression fitting, 316 stainless steel, for 1/4 inch diameter temperature probes, 1/4 inch NPT male thread	1	0.5	
<b>CF18-50N</b>	Compression fitting, 316 stainless steel, for 1/8 inch diameter temperature probes, 1/2 inch NPT male thread	1	0.5	
<b>CF14-50N</b>	Compression fitting, 316 stainless steel, for 1/4 inch diameter temperature probes, 1/2 inch NPT male thread	1	0.5	
<b>CFTF-18</b>	Teflon™ ferrule for brass or stainless steel compression fittings and 1/8 diameter temperature probes	5	0.5	
<b>CFTF-14</b>	Teflon ferrule for brass or stainless steel compression fittings and 1/4 diameter temperature probes	5	0.5	
<b>CF06-25N</b>	1/4 NPT stainless steel compression fitting for 0.24 inch (6 mm) diameter RTD probe with M12 connector.	1	0.18	
<b>CF10-50N</b>	1/2 NPT stainless steel compression fitting for 10 mm (0.4 inch) diameter RTD probe with M12 connector.	1	0.20	
<b>CF18-BC</b>	Bayonet compression fitting, for 1/8" diameter probe sheath sensors	1	0.1	
<b>BB125N-50N</b>	Reducing bushing, brass, 1/2 MNPT x 1/8 FNPT, hex head	1	0.1	



**NOTE: CHECK THE CHEMICAL COMPATIBILITY OF THE SENSOR'S WETTED PARTS WITH THE MEDIUM TO BE MEASURED.**

*\*Working pressure of compression fitting should not exceed 500 psi. However we recommend any pressure application use a thermowell*

**CF14-125N**



**CF14-50N**



**CF14-25N**



**CF18-BC**



**CF06-25N**



**CF10-50N**



**BCF18-125N**



**BCF18-25N**



**BCF18-50N**



**BB125N-50N**



**CFTF-14**



**CFTF-18**



# pro<sup>sense</sup>® Compression Mounting Fittings for Temperature Probes

BCF14-125N



BCF14-25N



BCF14-50N



CF18-25N



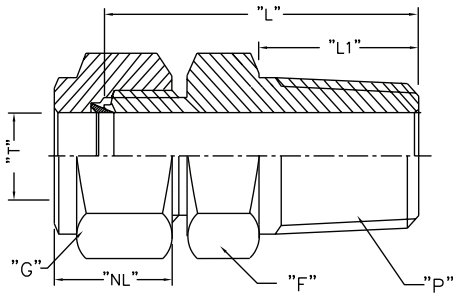
CF18-50N



CF18-125N



## Dimensions



*Note: All threaded connections should be hand tightened and then turned 1 to 2 full turns for proper sealing.*

*Actual torque required for a proper seal of NPT threads is influenced by tolerance, sealant, lubricant, etc.*

ProSense Compression Fittings									
Part No.	Weight (lb)	Description	"T" Tube O.D.	"P" NPT(M)	"L" Body Length*	"L1" Thread Length**	"F" Body Hex**	"G" Nut Hex**	"NL" Nut Length**
BCF18-125N/ CF18-125N	0.5	1/8" OD x 1/8" NPT(M)	0.128/0.132	1/8" NPT(M)	0.909"	0.393"	0.5"	0.433"	0.492"
BCF14-125N/ CF14-125N	0.5	1/4" OD x 1/8" NPT(M)	0.253/0.257	1/8" NPT(M)	1.0"	0.393"	0.5"	0.559"	0.5"
BCF18-25N/ CF18-25N	0.5	1/8" OD x 1/4" NPT(M)	0.128/0.132	1/4" NPT(M)	1.114"	0.551"	0.551"	0.433"	0.492"
BCF14-25N/ CF14-25N	0.5	1/4" OD x 1/4" NPT(M)	0.253/0.257	1/4" NPT(M)	1.188"	0.551"	0.551"	0.559"	0.5"
BCF18-50N/ CF18-50N	0.5	1/8" OD x 1/2" NPT(M)	0.128/0.132	1/2" NPT(M)	1.377"	0.748"	0.866"	0.433"	0.492"
BCF14-50N/ CF14-50N	0.5	1/4" OD x 1/2" NPT(M)	0.253/0.257	1/2" NPT(M)	1.437"	0.748"	0.866"	0.559"	0.5"
CF06-25N	0.18	6 mm OD x 1/4" NPT(M)	0.236/0.240	1/4" NPT(M)	1.174"	0.59"	0.67"	0.55"	0.587"
CF10-50N	0.20	10 mm OD x 1/2" NPT(M)	0.394/0.399	1/2" NPT(M)	1.458"	0.55"	1.06"	0.75"	0.608"

*Note: All dimensions are in inches*

\* ± 0.07

\*\* ± 0.03

*Note: Once the compression fitting has been fully tightened on the probe, the ferrule will be locked onto the probe and cannot be removed or reused.*

*\*Working pressure of compression fitting should not exceed 500 psi. However we recommend any pressure application use a thermowell*



*Scan the QR Code or click to view the CF06 & CF10 Compression Fitting Installation Instructions*

# Bayonet Mounting Adapter for Temperature Sensors

Bayonet Mounting Adapter for Temperature Sensors					
Part Number	Description	Material	Pcs/Pkg	Wt(lb)	Price
<b>BA-078</b>	Bayonet adapter, 7/8 inch long, 7/16 inch outside diameter, 9/32 inch inside diameter, 1/8 inch MNPT	Stainless Steel (304)	1	0.5	
<b>BA-100</b>	Bayonet adapter, 1 inch long, 7/16 inch outside diameter, 9/32 inch inside diameter, 1/8 inch MNPT		1	0.5	
<b>BA-114</b>	Bayonet adapter, 1-1/4 inch long, 7/16 inch outside diameter, 9/32 inch inside diameter, 1/8 inch MNPT		1	0.5	
<b>BA-112</b>	Bayonet adapter, 1-1/2 inch long, 7/16 inch outside diameter, 9/32 inch inside diameter, 1/8 inch MNPT		1	0.5	
<b>BA-200</b>	Bayonet adapter, 2 inch long, 7/16 inch outside diameter, 9/32 inch inside diameter, 1/8 inch MNPT		1	0.5	
<b>BA-212</b>	Bayonet adapter, 2-1/2 inch long, 7/16 inch outside diameter, 9/32 inch inside diameter, 1/8 inch MNPT		1	0.5	
<b>BA-300</b>	Bayonet adapter, 3 inch long, 7/16 inch outside diameter, 9/32 inch inside diameter, 1/8 inch MNPT		1	0.5	
<b>BA-312</b>	Bayonet adapter, 3-1/2 inch long, 7/16 inch outside diameter, 9/32 inch inside diameter, 1/8 inch MNPT		1	0.5	
<b>CF18-BC</b>	Adjustable bayonet compression fitting, for 1/8" diameter probe sheath sensors		1	0.1	
<b>BB125N-50N</b>	Reducing bushing, 1/2 MNPT x 1/8 FNPT, hex head	Brass	1	0.1	



**NOTE: CHECK THE CHEMICAL COMPATIBILITY OF THE SENSOR'S WETTED PARTS WITH THE MEDIUM TO BE MEASURED.**

**BA-078**



**BA-100**



**BA-114**



**CF18-BC**



**BA-300**



**BA-112**



**BB125N-50N**



**BA-312**



**BA-200**



**BA-212**



# proSense® Pipe Clamp Adapters



PCA-300

## Overview

- For use with ProSense adjustable immersion thermocouple and RTD sensors
- Available in adjustable diameters from 11/16 to 7 inches
- Provides an easy means of sensing temperature on the outside of a pipe

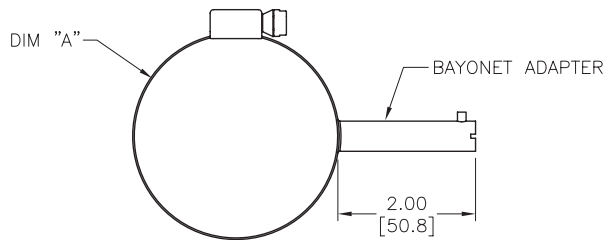


Shown with optional adjustable immersion sensor

Pipe Clamp Adapters for ProSense Adjustable Immersion Sensors				
Part Number	Description	Pcs/ Pkg	Wt(lb)	Price
PCA-125	ProSense pipe clamp adapter, 11/16 to 1-1/4 inch adjustable diameter, 2-inch attached bayonet adapter with 7/16 inch outside diameter and 9/32 inch inside diameter. Use with ProSense adjustable immersion sensors.	1	0.1	
PCA-200	ProSense pipe clamp adapter with 1-1/16 to 2 inch adjustable diameter, 2-inch attached bayonet adapter with 7/16 inch outside diameter and 9/32 inch inside diameter. Use with ProSense adjustable immersion sensors.	1	0.1	
PCA-300	ProSense pipe clamp adapter with 2-1/16 to 3 inch adjustable diameter, 2-inch attached bayonet adapter with 7/16 inch outside diameter and 9/32 inch inside diameter. Use with ProSense adjustable immersion sensors.	1	0.1	
PCA-425	ProSense pipe clamp adapter with 3-5/16 to 4-1/4 inch adjustable diameter, 2-inch attached bayonet adapter with 7/16 inch outside diameter and 9/32 inch inside diameter. Use with ProSense adjustable immersion sensors.	1	0.1	
PCA-500	ProSense pipe clamp adapter with 4-1/8 to 7 inch adjustable diameter, 2-inch attached bayonet adapter with 7/16 inch outside diameter and 9/32 inch inside diameter. Use with ProSense adjustable immersion sensors.	1	0.1	

## Dimensions

inches [mm]



PART NUMBER	DIM "A"	FITS PIPE SIZES
PCA-125	ø0.68–1.25 [ø17.2–31.7]	1/2 TO 3/4 NPS
PCA-200	ø1.06–2.00 [ø26.9–50.8]	1 TO 1-1/2 NPS
PCA-300	ø2.06–3.00 [ø52.3–76.2]	2 TO 2-1/2 NPS
PCA-425	ø3.31–4.25 [ø84.1–108.0]	3 TO 3-1/2 NPS
PCA-500	ø4.12–7.00 [ø104.6–177.8]	4 TO 6 NPS



# pro<sup>sense</sup> Thermocouple and RTD Connectors

## Overview

- Glass-filled high quality thermoplastic body with original thermocouple material pins and spring-loaded inserts
- Polarized pins
- Molded barriers prevent short circuit
- Captive central cover screw for easy assembly
- Easy wire connection pressure plate construction
- Stainless steel screws with combination head (Slotted and Phillips)
- 3-pin standard connectors have a third pin for ground or continuous shield, or for 3-wire RTDs



Thermocouple and RTD Connectors									
Part Number	Pcs/ Pkg	Wt(lb)	Price	Sensor Type	Connector Type	Temperature Rating	Body Color	Wire Size	Wire Cable Clamp Bracket
<b>THMJ-SP</b>	1	0.5		J	Standard round pin plug	Max continuous 400°F (200°C)	Black	32 AWG (0.2 mm) to 14 AWG maximum (2.0 mm)	WCB-S
<b>THMJ-SJ</b>	1	0.5	Standard round pin jack		–				
<b>THMJ-SPJ</b>	1	0.5	Standard round direct mount jack		–				
<b>THMJ-MP</b>	1	0.5	Miniature flat pin plug		40 AWG (0.08 mm) to 20 AWG maximum (0.8 mm)			WCB-M	
<b>THMJ-MJ</b>	1	0.5	Miniature flat pin jack					–	
<b>THMJ-MPJ</b>	1	0.5	Miniature round direct mount jack					–	
<b>THMK-SP</b>	1	0.5		K	Standard round pin plug	Max continuous 662°F (350°C)	Yellow	32 AWG (0.2 mm) to 14 AWG maximum (2.0 mm)	WCB-S
<b>THMK-SJ</b>	1	0.5	Standard round pin jack		–				
<b>THMK-SPJ</b>	1	0.5	Standard round direct mount jack		–				
<b>THMK-MP</b>	1	0.5	Miniature flat pin plug		40 AWG (0.08 mm) to 20 AWG maximum (0.8 mm)			WCB-M	
<b>THMK-MJ</b>	1	0.5	Miniature flat pin jack					–	
<b>THMK-MPJ</b>	1	0.5	Miniature round direct mount jack					–	
<b>THMK-HSP</b>	1	0.5		RTD	Standard hi-temp round pin plug	Max continuous 662°F (350°C)	Brown	32 AWG (0.2 mm) to 14 AWG maximum (2.0 mm)	WCB-S
<b>THMK-HSJ</b>	1	0.5	Standard hi-temp round pin jack		–				
<b>THMT-SP</b>	1	0.5		T	Standard round pin plug	Max continuous 400°F (200°C)	Blue	32 AWG (0.2 mm) to 14 AWG maximum (2.0 mm)	WCB-S
<b>THMT-SJ</b>	1	0.5	Standard round pin jack		–				
<b>THMT-SPJ</b>	1	0.5	Standard round direct mount jack		–				
<b>THMT-MP</b>	1	0.5	Miniature flat pin plug		40 AWG (0.08 mm) to 20 AWG maximum (0.8 mm)			WCB-M	
<b>THMT-MJ</b>	1	0.5	Miniature flat pin jack					–	
<b>THMT-MPJ</b>	1	0.5	Miniature round direct mount jack					–	
<b>RTD-SP</b>	1	0.5		RTD	Standard round pin plug	Max continuous 400°F (200°C)	White	32 AWG (0.2 mm) to 14 AWG maximum (2.0 mm)	WCB-S
<b>RTD-SJ</b>	1	0.5	Standard round pin jack		–				

**THMT-SP**



**THMT-SJ**



**THMK-SP**



**THMK-SJ**



**THMJ-MP**



**THMJ-MJ**



**THMT-SPJ**



**THMT-MPJ**



**RTD-SP**



**RTD-SJ**



**THMK-HSP**



**THMK-HSJ**



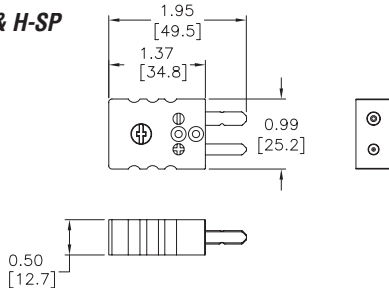


# pro<sup>sense</sup> Thermocouple and RTD Connectors

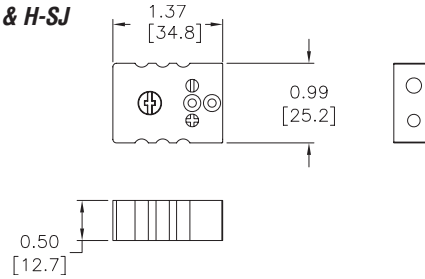
## Dimensions

inches [mm]

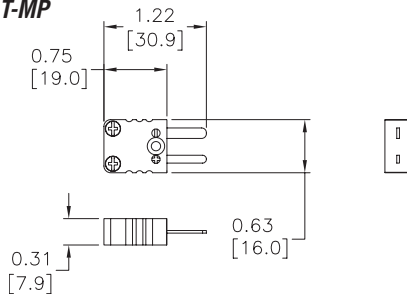
**THMJ, K, T, & H-SP**



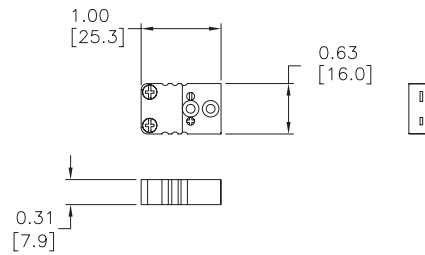
**THMJ, K, T, & H-SJ**



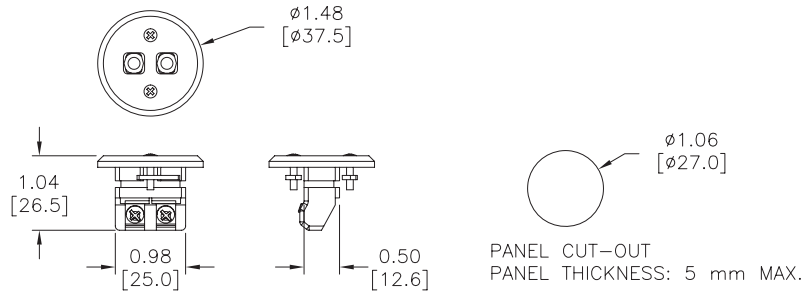
**THMJ, K, & T-MP**



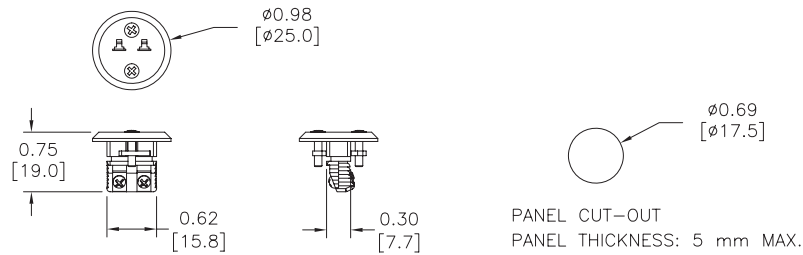
**THMJ, K, & T-MJ**



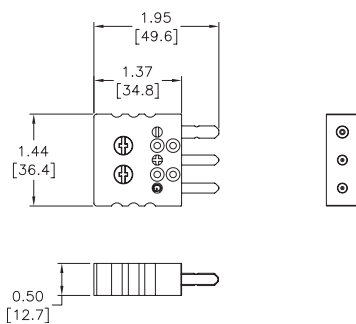
**THMJ, K, & T-SPJ**



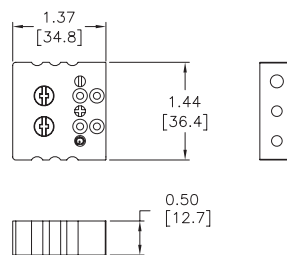
**THMJ, K, & T-MPJ**



**RTD-SP**



**RTD-SJ**



# pro<sup>sense</sup> Thermocouple and RTD Connectors

**WCB-S**



**WCB-M**



**WCB-S Application**



**WCB-M Application**

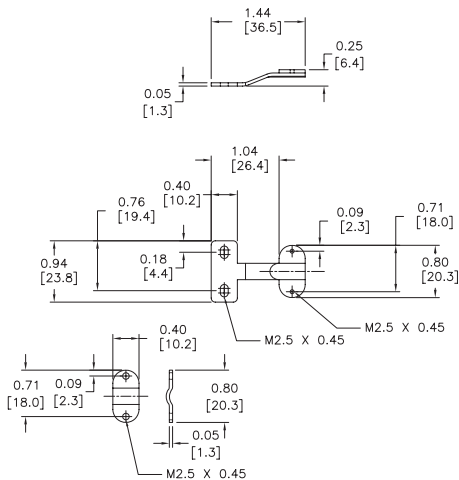


Thermocouple and RTD Connectors Accessories				
Part Number	Pcs/ Pkg	Wt(lb)	Price	Description
<b>WCB-S</b>	4	0.5		Wire / cable clamp bracket for use with standard thermocouple and RTD connectors.
<b>WCB-M</b>	4	0.5		Wire / cable clamp bracket for use with miniature thermocouple connectors.

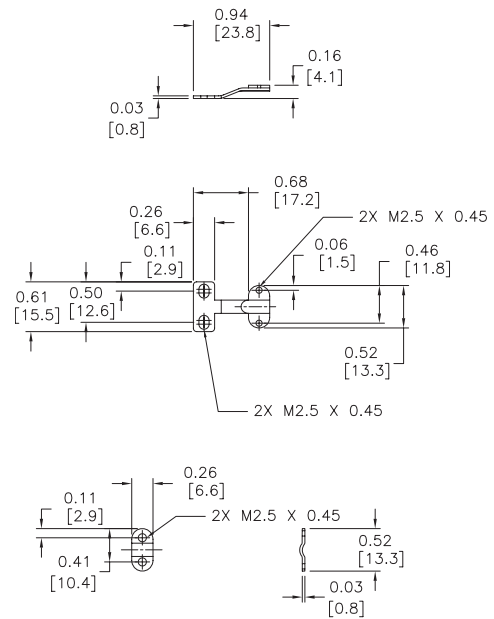
## Dimensions

inches [mm]

**WCB-S**



**WCB-M**



# pro<sup>ense</sup>® Thermocouple and RTD Temperature Range

Thermocouple Temperature Range		
THMK-C06-04	32 to 2100°F (0 to 1149°C)	
THMK-C12-04		
THMK-C18-04		
THMK-H06L01-03		
THMK-H12L01-03		
THMK-H18L01-03	32 to 2100°F (0 to 1149°C) lead wire transition rated to 204°C (400°F)	
THMK-T06L06-03		
THMK-T12L06-03		
THMK-T18L06-03		
TTD25C-20-0300F-H		
TTD25N-20-0300F-H	0 to 300°F (-17.8 to 148.9°C)	
THMJ-A01L04-01	32 to 900°F (0 to 482°C)	
THMJ-A01L06-01		
THMJ-A01L10-01		
THMJ-A01L10-02		
THMJ-B01L06-01		
THMJ-B01L06-02		
THMJ-B02L06-01		
THMJ-B02L06-02		
THMJ-D08L04-01		
THMJ-D08L06-01		
THMJ-D08L10-01		
THMJ-D08L10-02		
THMK-A01L04-01		
THMK-A01L06-01		
THMK-A01L10-01		
THMK-A01L10-02		
THMK-B01L06-01		
THMK-B01L06-02		
THMK-D08L04-01		
THMK-D08L06-01		
THMK-D08L10-01		
THMK-D08L10-02		
THMJ-T06L06-01		32 to 970°F (0 to 521°C), lead wire transition rated to 400 °F (204 °C)
THMJ-T12L06-01		
THMJ-T18L06-01		
THMJ-P06-01	32 to 970°F (0 to 521°C), plug rated to 400 °F (204 °C)	
THMJ-P12-01		
THMJ-P18-01		
THMJ-C04-03	32 to 1330°F (0 to 720°C)	
THMJ-C04R-03		
THMJ-C06-01		
THMJ-C06-02		
THMJ-C06-03		
THMJ-C06R-03		
THMJ-C12-01		
THMJ-C12-02		
THMJ-C12-03		
THMJ-C12R-03		
THMJ-C18-01		
THMJ-C18-02		
THMJ-H04L01-02		
THMJ-H06L01-01		
THMJ-H06L01-02		
THMJ-H12L01-01		
THMJ-H12L01-02		
THMJ-H18L01-01		

Thermocouple Temperature Range		
THMJ-T06L06-02	32 to 1330°F (0 to 720°C) lead wire transition rated to 400 °F (204 °C)	
THMJ-T12L06-02		
THMJ-T18L06-02	32 to 1330°F (0 to 720°C) plug rated to 400 °F (204 °C)	
THMJ-P06-02		
THMJ-P12-02		
THMJ-P18-02	32 to 1700°F (0 to 927°C)	
THMK-C04-03		
THMK-C04R-03		
THMK-C06-01		
THMK-C06-02		
THMK-C06-03		
THMK-C06R-03		
THMK-C12-01		
THMK-C12-02		
THMK-C12-03		
THMK-C12R-03		
THMK-C18-01		
THMK-C18-02		
THMK-H04L01-02		
THMK-H06L01-01		
THMK-H06L01-02		
THMK-H12L01-01		
THMK-H12L01-02		
THMK-H18L01-01		
THMK-T06L06-01		32 to 1700°F (0 to 927°C) lead wire transition rated to 400 °F (204 °C)
THMK-T06L06-02		
THMK-T12L06-01		
THMK-T12L06-02		32 to 1700°F (0 to 927°C) plug rated to 400 °F (204 °C)
THMK-T18L06-01		
THMK-T18L06-02		
THMK-P06-01	32 to 1700°F (0 to 927°C) plug rated to 400 °F (204 °C)	
THMK-P06-02		
THMK-P12-01		
THMK-P12-02		
THMK-P18-01		
THMK-P18-02	32° to 900°F (0° to 482°C)	
THMK-B02L06-01		
THMK-B02L06-02	-328 to 700°F (-200 to 371°C), plug rated to 400 °F (204 °C)	
THMT-P06-01		
THMT-P12-01		
THMT-P18-01	-328 to 700°F (-200 to 371°C), lead wire transition rated to 400 °F (204 °C)	
THMT-T06L06-01		
THMT-T12L06-01		
THMT-T18L06-01	32 to 212°F (0 to 100°C)	
TTD25C-20-0100C-H		
TTD25N-20-0100C-H	-4 to 284°F (-20 to 140°C)	
TSD25N-0P-0284-H		

RTD Temperature Range	
RTD1-R01-01	40 to 185°F (-40 to 85°C)
RTD1-S04-01	-58 to 572°F (-50 to 300°C)
RTD1-S04-02	
RTD1-S04-03	
RTD1-S04-04	
RTD1-B01L06-01	
RTD1-B02L06-01	
RTD1-C04-03	
RTD1-C04R-03	
RTD1-C06-01	
RTD1-C06-03	
RTD1-C06R-03	
RTD1-C12-01	
RTD1-C12-02	
RTD1-C12-03	
RTD1-C12R-03	
RTD1-C18-01	-58 to 572°F (-50 to 300°C) Plug rated to 400°F (204°C)
RTD1-C18-02	
RTD1-H04L01-02	
RTD1-H06L01-01	-58 to 572°F (-50 to 300°C), lead wire transition rated to 400°F (204°C)
RTD1-H06L01-02	
RTD1-H12L01-01	
RTD1-H12L01-02	
RTD1-H18L01-01	
RTD1-P06-01	
RTD1-P12-01	
RTD1-P18-01	
RTD1-D08L10-01	
RTD1-T06L06-01	
RTD1-T12L06-01	
RTD1-T18L06-01	

## J, K, & T Thermocouple Color Code

	White	+
J	Red	-
	Yellow	+
K	Red	-
	Blue	+
T	Blue	+
	Red	-