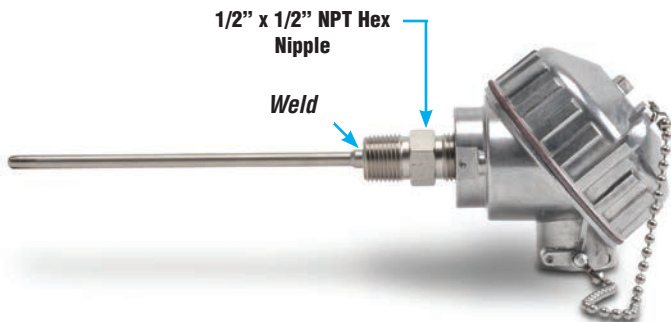


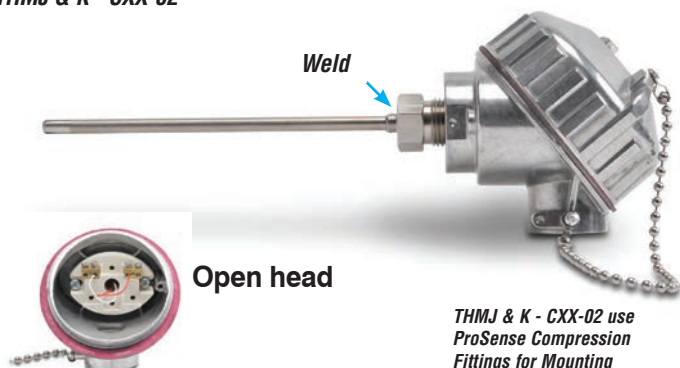
# pro<sup>sense</sup> Thermocouple Probes with Connection Head

## Overview

THMJ & K - CXX-01 & 04



THMJ & K - CXX-02



THMJ & K - CXX-02 use ProSense Compression Fittings for Mounting

- All temperature sensors are pre-built stock items
- Probe
  - Type J or K thermocouple elements to meet many temperature sensing applications
  - 1/4" diameter, 316 SS or Inconel Alloy 600 sealed sheath to protect against harsh environments
  - Magnesium Oxide (MgO) insulation provides vibration dampening and protection against thermal shock
  - Bendable to adapt to installation requirements
  - 6", 12" or 18" probe length
- Connection Head
  - Cast aluminum NEMA 4X, IP66 screw cover head with captive gasket
  - One turn cover removal & installation eliminates cross threading and saves time
  - 3/4" NPT conduit opening with internal stop to prevent overtightening and installation damage
  - Gripping ribs on cover edge
  - Stainless steel cover chain
- Wiring
  - Ceramic terminal base
  - Brass terminals with stainless steel screws eliminate the need to wrap connections around screws
  - Elevated terminal block for easy wire termination
- Made in the USA



| Thermocouple Probes with Connection Head - Types J and K |         |         |       |      |                       |              |                     |                               |   |   |
|--|---------|---------|-------|------|-----------------------|--------------|---------------------|-------------------------------|---|---|
| Part Number  | Pcs/Pkg | Wt (lb) | Price | Type | Probe Diameter (O.D.) | Probe Length | Probe Material      | Temperature Sensing Range     | Mounting                                    |   |
| THMJ-C06-01  | 1       | 1.3     |       | J    | 1/4"                  | 6"           | 316 stainless steel | 0 to 720°C<br>(32 to 1330°F)  | Integral 1/2" x 1/2" NPT Hex Nipple, 316 SS |   |
| THMJ-C12-01  |         |         |       | J    |                       | 12"          |                     |                               |   |   |
| THMJ-C18-01  |         |         |       | J    |                       | 18"          |                     |                               |   |   |
| THMK-C06-01  |         |         |       | K    |                       | 6"           |                     |                               |   |   |
| THMK-C12-01  |         |         |       | K    |                       | 12"          |                     |                               |   |   |
| THMK-C18-01  |         |         |       | K    |                       | 18"          |                     |                               |   |   |
| THMJ-C06-02  |         |         |       | J    |                       | 6"           | Inconel Alloy 600   | 0 to 720°C<br>(32 to 1330°F)  |   | ProSense compression fitting (see accessories - purchased separately) |
| THMJ-C12-02  |         |         |       | J    |                       | 12"          |                     |                               |   |   |
| THMJ-C18-02  |         |         |       | J    |                       | 18"          |                     |                               |   |   |
| THMK-C06-02  |         |         |       | K    |                       | 6"           |                     |                               |   |   |
| THMK-C12-02  |         |         |       | K    |                       | 12"          |                     |                               |   |   |
| THMK-C18-02  |         |         |       | K    |                       | 18"          |                     |                               |   |   |
| THMK-C06-04  |         |         |       | K    |                       | 6"           | Inconel Alloy 600   | 0 to 1149°C<br>(32 to 2100°F) |   | Integral 1/2" x 1/2" NPT Hex Nipple, 316 SS                           |
| THMK-C12-04  |         |         |       | K    |                       | 12"          |                     |                               |   |   |
| THMK-C18-04  | K       | 18"     |       |      |                       |              |                     |                               |   |   |

| Technical Specifications           |   |
|------------------------------------|---|
| Junction Type                      | Ungrounded  |
| ASTM E230 Standard Limits of Error | ±2.2°C (±4.0°F) or 0.75%, whichever is greater  |
| Probe                              | ø1/4", 316 stainless steel or Inconel Alloy 600 sheath, single thermocouple element is embedded in MgO powder   |
| Probe Minimum Bend Radius          | 2 x sheath diameter   |
| Minimum Installation Depth         | 3" (76 mm)  |
| Connection Head                    | Die-cast aluminum, screw cover with stainless steel chain, compressed graphite gasket, NEMA 4X, IP66, 3/4" NPT conduit opening, max temp. 400°F (204°C) |
| Response Time                      | 2.9 seconds, 63.2% of a 25-77°C step change per method ASTM E839  |
| Wiring                             | Ceramic terminal base with brass terminals and stainless steel screws (Recommended tightening torque 3-4 lb-in)   |



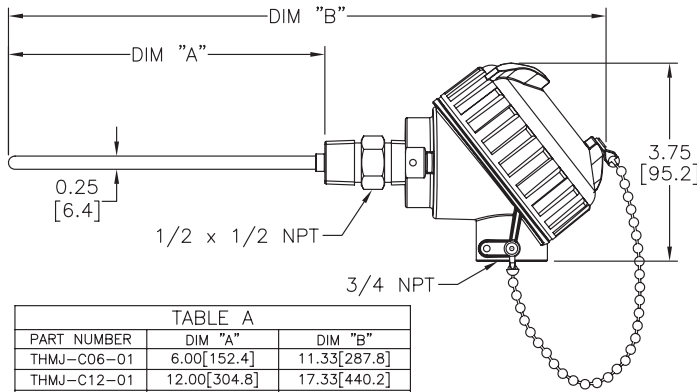
NOTE: CHECK THE CHEMICAL COMPATIBILITY OF THE SENSOR'S WETTED PARTS WITH THE MEDIUM TO BE MEASURED.  
 Not designed for use in a thermowell. Use spring-loaded probe when installing in a thermowell.

# pro<sup>sense</sup>® Thermocouple Probes with Connection Head

## Dimensions

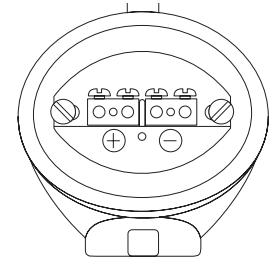
inches [mm]

### THMJ & K - CXX-01 & 04



| TABLE A     |              |              |
|-------------|--------------|--------------|
| PART NUMBER | DIM "A"      | DIM "B"      |
| THMJ-C06-01 | 6.00[152.4]  | 11.33[287.8] |
| THMJ-C12-01 | 12.00[304.8] | 17.33[440.2] |
| THMJ-C18-01 | 18.00[457.2] | 23.33[592.6] |
| THMK-C06-01 | 6.00[152.4]  | 11.33[287.8] |
| THMK-C12-01 | 12.00[304.8] | 17.33[440.2] |
| THMK-C18-01 | 18.00[457.2] | 23.33[592.6] |
| THMK-C06-04 | 6.00[152.4]  | 11.33[287.8] |
| THMK-C12-04 | 12.00[304.8] | 17.33[440.2] |
| THMK-C18-04 | 18.00[457.2] | 23.33[592.6] |

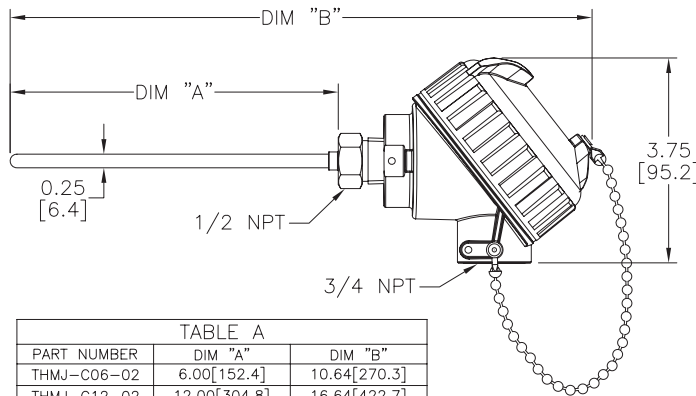
## Wiring Information



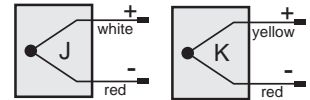
Type J: (+) white (-) red  
Type K: (+) yellow (-) red

- Must use thermocouple extension lead wire, see end of this section
- Observe polarity when making connections
- Do not use standard wire nuts
- Recommended screw terminal tightening torque 3-4 lb-in

### THMJ & K - CXX-02



| TABLE A     |              |              |
|-------------|--------------|--------------|
| PART NUMBER | DIM "A"      | DIM "B"      |
| THMJ-C06-02 | 6.00[152.4]  | 10.64[270.3] |
| THMJ-C12-02 | 12.00[304.8] | 16.64[422.7] |
| THMJ-C18-02 | 18.00[457.2] | 22.64[575.1] |
| THMK-C06-02 | 6.00[152.4]  | 10.64[270.3] |
| THMK-C12-02 | 12.00[304.8] | 16.64[422.7] |
| THMK-C18-02 | 18.00[457.2] | 22.64[575.1] |



## Accessories

| Part No.          | Description   | Pcs/Pkg | Price |
|-------------------|---|---------|-------|
| <b>BCF14-125N</b> | Compression fitting, brass, for 1/4 inch diameter temperature probes, 1/8 inch male thread                | 1       |       |
| <b>BCF14-25N</b>  | Compression fitting, brass, for 1/4 inch diameter temperature probes, 1/4 inch male thread                | 1       |       |
| <b>BCF14-50N</b>  | Compression fitting, brass, for 1/4 inch diameter temperature probes, 1/2 inch male thread                | 1       |       |
| <b>CF14-125N</b>  | Compression fitting, 316 stainless steel, for 1/4 inch diameter temperature probes, 1/8 inch male thread  | 1       |       |
| <b>CF14-25N</b>   | Compression fitting, 316 stainless steel, for 1/4 inch diameter temperature probes, 1/4 inch male thread  | 1       |       |
| <b>CF14-50N</b>   | Compression fitting, 316 stainless steel, for 1/4 inch diameter temperature probes, 1/2 inch male thread  | 1       |       |
| <b>CFTF-14</b>    | Teflon ferrule for brass or stainless steel compression fittings and 1/4 inch diameter temperature probes | 5       |       |

Note: Thermocouple extension lead wire and full listing of accessories available at the end of this section.

# pro<sup>o</sup>ense<sup>®</sup> Compression Mounting Fittings for Temperature Probes

| Compression Mounting Fittings for Temperature Probes |  |             |        |       |
|--|--|-------------|--------|-------|
| Part Number  | Description  | Pcs/<br>Pkg | Wt(lb) | Price |
| <b>BCF18-125N</b>                                    | Compression fitting, brass, for 1/8 inch diameter temperature probes, 1/8 inch NPT male thread               | 1           | 0.5    |       |
| <b>BCF14-125N</b>                                    | Compression fitting, brass, for 1/4 inch diameter temperature probes, 1/8 inch NPT male thread               | 1           | 0.5    |       |
| <b>BCF18-25N</b>                                     | Compression fitting, brass, for 1/8 inch diameter temperature probes, 1/4 inch NPT male thread               | 1           | 0.5    |       |
| <b>BCF14-25N</b>                                     | Compression fitting, brass, for 1/4 inch diameter temperature probes, 1/4 inch NPT male thread               | 1           | 0.5    |       |
| <b>BCF18-50N</b>                                     | Compression fitting, brass, for 1/8 inch diameter temperature probes, 1/2 inch NPT male thread               | 1           | 0.5    |       |
| <b>BCF14-50N</b>                                     | Compression fitting, brass, for 1/4 inch diameter temperature probes, 1/2 inch NPT male thread               | 1           | 0.5    |       |
| <b>CF18-125N</b>                                     | Compression fitting, 316 stainless steel, for 1/8 inch diameter temperature probes, 1/8 inch NPT male thread | 1           | 0.5    |       |
| <b>CF14-125N</b>                                     | Compression fitting, 316 stainless steel, for 1/4 inch diameter temperature probes, 1/8 inch NPT male thread | 1           | 0.5    |       |
| <b>CF18-25N</b>                                      | Compression fitting, 316 stainless steel, for 1/8 inch diameter temperature probes, 1/4 inch NPT male thread | 1           | 0.5    |       |
| <b>CF14-25N</b>                                      | Compression fitting, 316 stainless steel, for 1/4 inch diameter temperature probes, 1/4 inch NPT male thread | 1           | 0.5    |       |
| <b>CF18-50N</b>                                      | Compression fitting, 316 stainless steel, for 1/8 inch diameter temperature probes, 1/2 inch NPT male thread | 1           | 0.5    |       |
| <b>CF14-50N</b>                                      | Compression fitting, 316 stainless steel, for 1/4 inch diameter temperature probes, 1/2 inch NPT male thread | 1           | 0.5    |       |
| <b>CFTF-18</b>                                       | Teflon™ ferrule for brass or stainless steel compression fittings and 1/8 diameter temperature probes        | 5           | 0.5    |       |
| <b>CFTF-14</b>                                       | Teflon ferrule for brass or stainless steel compression fittings and 1/4 diameter temperature probes         | 5           | 0.5    |       |
| <b>CF06-25N</b>                                      | 1/4 NPT stainless steel compression fitting for 0.24 inch (6 mm) diameter RTD probe with M12 connector.      | 1           | 0.18   |       |
| <b>CF10-50N</b>                                      | 1/2 NPT stainless steel compression fitting for 10 mm (0.4 inch) diameter RTD probe with M12 connector.      | 1           | 0.20   |       |
| <b>CF18-BC</b>                                       | Bayonet compression fitting, for 1/8" diameter probe sheath sensors  | 1           | 0.1    |       |
| <b>BB125N-50N</b>                                    | Reducing bushing, brass, 1/2 MNPT x 1/8 FNPT, hex head   | 1           | 0.1    |       |



**NOTE: CHECK THE CHEMICAL COMPATIBILITY OF THE SENSOR'S WETTED PARTS WITH THE MEDIUM TO BE MEASURED.**

*\*Working pressure of compression fitting should not exceed 500 psi. However we recommend any pressure application use a thermowell*

**CF14-125N**



**CF14-50N**



**CF14-25N**



**CF18-BC**



**CF06-25N**



**CF10-50N**



**BCF18-125N**



**BCF18-25N**



**BCF18-50N**



**BB125N-50N**



**CFTF-14**



**CFTF-18**



# pro<sup>sense</sup>® Compression Mounting Fittings for Temperature Probes

**BCF14-125N**



**BCF14-25N**



**BCF14-50N**



**CF18-25N**



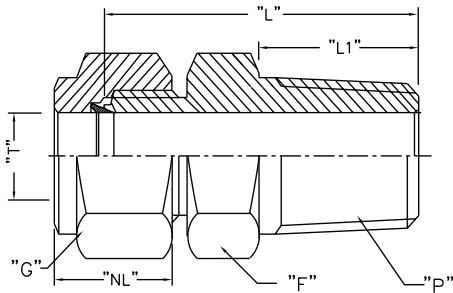
**CF18-50N**



**CF18-125N**



## Dimensions



*Note: All threaded connections should be hand tightened and then turned 1 to 2 full turns for proper sealing.*

*Actual torque required for a proper seal of NPT threads is influenced by tolerance, sealant, lubricant, etc.*

| ProSense Compression Fittings |             |                        |               |             |                  |                      |                |               |                   |
|-------------------------------|-------------|------------------------|---------------|-------------|------------------|----------------------|----------------|---------------|-------------------|
| Part No.                      | Weight (lb) | Description            | "T" Tube O.D. | "P" NPT(M)  | "L" Body Length* | "L1" Thread Length** | "F" Body Hex** | "G" Nut Hex** | "NL" Nut Length** |
| <b>BCF18-125N/CF18-125N</b>   | 0.5         | 1/8" OD x 1/8" NPT(M)  | 0.128/0.132   | 1/8" NPT(M) | 0.909"           | 0.393"               | 0.5"           | 0.433"        | 0.492"            |
| <b>BCF14-125N/CF14-125N</b>   | 0.5         | 1/4" OD x 1/8" NPT(M)  | 0.253/0.257   | 1/8" NPT(M) | 1.0"             | 0.393"               | 0.5"           | 0.559"        | 0.5"              |
| <b>BCF18-25N/CF18-25N</b>     | 0.5         | 1/8" OD x 1/4" NPT(M)  | 0.128/0.132   | 1/4" NPT(M) | 1.114"           | 0.551"               | 0.551"         | 0.433"        | 0.492"            |
| <b>BCF14-25N/CF14-25N</b>     | 0.5         | 1/4" OD x 1/4" NPT(M)  | 0.253/0.257   | 1/4" NPT(M) | 1.188"           | 0.551"               | 0.551"         | 0.559"        | 0.5"              |
| <b>BCF18-50N/CF18-50N</b>     | 0.5         | 1/8" OD x 1/2" NPT(M)  | 0.128/0.132   | 1/2" NPT(M) | 1.377"           | 0.748"               | 0.866"         | 0.433"        | 0.492"            |
| <b>BCF14-50N/CF14-50N</b>     | 0.5         | 1/4" OD x 1/2" NPT(M)  | 0.253/0.257   | 1/2" NPT(M) | 1.437"           | 0.748"               | 0.866"         | 0.559"        | 0.5"              |
| <b>CF06-25N</b>               | 0.18        | 6 mm OD x 1/4" NPT(M)  | 0.236/0.240   | 1/4" NPT(M) | 1.174"           | 0.59"                | 0.67"          | 0.55"         | 0.587"            |
| <b>CF10-50N</b>               | 0.20        | 10 mm OD x 1/2" NPT(M) | 0.394/0.399   | 1/2" NPT(M) | 1.458"           | 0.55"                | 1.06"          | 0.75"         | 0.608"            |

*Note: All dimensions are in inches*

*\* ± 0.07*

*\*\* ± 0.03*

*Note: Once the compression fitting has been fully tightened on the probe, the ferrule will be locked onto the probe and cannot be removed or reused.*

*\*Working pressure of compression fitting should not exceed 500 psi. However we recommend any pressure application use a thermowell*



*Scan the QR Code or click to view the CF06 & CF10 Compression Fitting Installation Instructions*

# Bayonet Mounting Adapter for Temperature Sensors

| Bayonet Mounting Adapter for Temperature Sensors |  |                       |         |        |       |
|--|--|-----------------------|---------|--------|-------|
| Part Number                                      | Description  | Material              | Pcs/Pkg | Wt(lb) | Price |
| <b>BA-078</b>                                    | Bayonet adapter, 7/8 inch long, 7/16 inch outside diameter, 9/32 inch inside diameter, 1/8 inch MNPT   | Stainless Steel (304) | 1       | 0.5    |       |
| <b>BA-100</b>                                    | Bayonet adapter, 1 inch long, 7/16 inch outside diameter, 9/32 inch inside diameter, 1/8 inch MNPT     |                       | 1       | 0.5    |       |
| <b>BA-114</b>                                    | Bayonet adapter, 1-1/4 inch long, 7/16 inch outside diameter, 9/32 inch inside diameter, 1/8 inch MNPT |                       | 1       | 0.5    |       |
| <b>BA-112</b>                                    | Bayonet adapter, 1-1/2 inch long, 7/16 inch outside diameter, 9/32 inch inside diameter, 1/8 inch MNPT |                       | 1       | 0.5    |       |
| <b>BA-200</b>                                    | Bayonet adapter, 2 inch long, 7/16 inch outside diameter, 9/32 inch inside diameter, 1/8 inch MNPT     |                       | 1       | 0.5    |       |
| <b>BA-212</b>                                    | Bayonet adapter, 2-1/2 inch long, 7/16 inch outside diameter, 9/32 inch inside diameter, 1/8 inch MNPT |                       | 1       | 0.5    |       |
| <b>BA-300</b>                                    | Bayonet adapter, 3 inch long, 7/16 inch outside diameter, 9/32 inch inside diameter, 1/8 inch MNPT     |                       | 1       | 0.5    |       |
| <b>BA-312</b>                                    | Bayonet adapter, 3-1/2 inch long, 7/16 inch outside diameter, 9/32 inch inside diameter, 1/8 inch MNPT |                       | 1       | 0.5    |       |
| <b>CF18-BC</b>                                   | Adjustable bayonet compression fitting, for 1/8" diameter probe sheath sensors                         |                       | 1       | 0.1    |       |
| <b>BB125N-50N</b>                                | Reducing bushing, 1/2 MNPT x 1/8 FNPT, hex head  | Brass                 | 1       | 0.1    |       |



**NOTE: CHECK THE CHEMICAL COMPATIBILITY OF THE SENSOR'S WETTED PARTS WITH THE MEDIUM TO BE MEASURED.**

**BA-078**



**BA-100**



**BA-114**



**CF18-BC**



**BA-300**



**BA-112**



**BB125N-50N**



**BA-312**



**BA-200**



**BA-212**



# pro<sup>sense</sup> Thermocouple and RTD Connectors

## Overview

- Glass-filled high quality thermoplastic body with original thermocouple material pins and spring-loaded inserts
- Polarized pins
- Molded barriers prevent short circuit
- Captive central cover screw for easy assembly
- Easy wire connection pressure plate construction
- Stainless steel screws with combination head (Slotted and Phillips)
- 3-pin standard connectors have a third pin for ground or continuous shield, or for 3-wire RTDs



| Thermocouple and RTD Connectors |          |        |                                   |             |   |                              |            |  |                          |
|---------------------------------|----------|--------|-----------------------------------|-------------|---|------------------------------|------------|--|--------------------------|
| Part Number                     | Pcs/ Pkg | Wt(lb) | Price                             | Sensor Type | Connector Type                              | Temperature Rating           | Body Color | Wire Size                                  | Wire Cable Clamp Bracket |
| <b>THMJ-SP</b>                  | 1        | 0.5    |                                   | J           | Standard round pin plug                     | Max continuous 400°F (200°C) | Black      | 32 AWG (0.2 mm) to 14 AWG maximum (2.0 mm) | WCB-S                    |
| <b>THMJ-SJ</b>                  | 1        | 0.5    | Standard round pin jack           |             | –   |                              |            |  |                          |
| <b>THMJ-SPJ</b>                 | 1        | 0.5    | Standard round direct mount jack  |             | –   |                              |            |  |                          |
| <b>THMJ-MP</b>                  | 1        | 0.5    | Miniature flat pin plug           |             | 40 AWG (0.08 mm) to 20 AWG maximum (0.8 mm) |                              |            | WCB-M                                      |                          |
| <b>THMJ-MJ</b>                  | 1        | 0.5    | Miniature flat pin jack           |             |   |                              |            | –  |                          |
| <b>THMJ-MPJ</b>                 | 1        | 0.5    | Miniature round direct mount jack |             |   |                              |            | –  |                          |
| <b>THMK-SP</b>                  | 1        | 0.5    |                                   | K           | Standard round pin plug                     | Max continuous 662°F (350°C) | Yellow     | 32 AWG (0.2 mm) to 14 AWG maximum (2.0 mm) | WCB-S                    |
| <b>THMK-SJ</b>                  | 1        | 0.5    | Standard round pin jack           |             | –   |                              |            |  |                          |
| <b>THMK-SPJ</b>                 | 1        | 0.5    | Standard round direct mount jack  |             | –   |                              |            |  |                          |
| <b>THMK-MP</b>                  | 1        | 0.5    | Miniature flat pin plug           |             | 40 AWG (0.08 mm) to 20 AWG maximum (0.8 mm) |                              |            | WCB-M                                      |                          |
| <b>THMK-MJ</b>                  | 1        | 0.5    | Miniature flat pin jack           |             |   |                              |            | –  |                          |
| <b>THMK-MPJ</b>                 | 1        | 0.5    | Miniature round direct mount jack |             |   |                              |            | –  |                          |
| <b>THMK-HSP</b>                 | 1        | 0.5    |                                   |             | Standard hi-temp round pin plug             | Max continuous 662°F (350°C) | Brown      | 32 AWG (0.2 mm) to 14 AWG maximum (2.0 mm) | WCB-S                    |
| <b>THMK-HSJ</b>                 | 1        | 0.5    | Standard hi-temp round pin jack   |             | –   |                              |            |  |                          |
| <b>THMT-SP</b>                  | 1        | 0.5    |                                   | T           | Standard round pin plug                     | Max continuous 400°F (200°C) | Blue       | 32 AWG (0.2 mm) to 14 AWG maximum (2.0 mm) | WCB-S                    |
| <b>THMT-SJ</b>                  | 1        | 0.5    | Standard round pin jack           |             | –   |                              |            |  |                          |
| <b>THMT-SPJ</b>                 | 1        | 0.5    | Standard round direct mount jack  |             | –   |                              |            |  |                          |
| <b>THMT-MP</b>                  | 1        | 0.5    | Miniature flat pin plug           |             | 40 AWG (0.08 mm) to 20 AWG maximum (0.8 mm) |                              |            | WCB-M                                      |                          |
| <b>THMT-MJ</b>                  | 1        | 0.5    | Miniature flat pin jack           |             |   |                              |            | –  |                          |
| <b>THMT-MPJ</b>                 | 1        | 0.5    | Miniature round direct mount jack |             |   |                              |            | –  |                          |
| <b>RTD-SP</b>                   | 1        | 0.5    |                                   | RTD         | Standard round pin plug                     |                              | White      | 32 AWG (0.2 mm) to 14 AWG maximum (2.0 mm) | WCB-S                    |
| <b>RTD-SJ</b>                   | 1        | 0.5    | Standard round pin jack           |             | –   |                              |            |  |                          |

**THMT-SP**



**THMT-SJ**



**THMK-SP**



**THMK-SJ**



**THMJ-MP**



**THMJ-MJ**



**THMT-SPJ**



**THMT-MPJ**



**RTD-SP**



**RTD-SJ**



**THMK-HSP**



**THMK-HSJ**

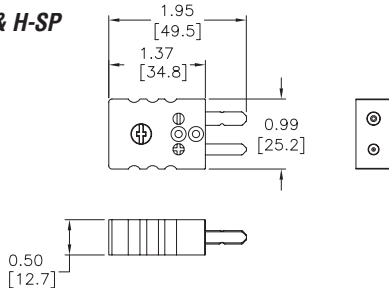


# pro<sup>sense</sup> Thermocouple and RTD Connectors

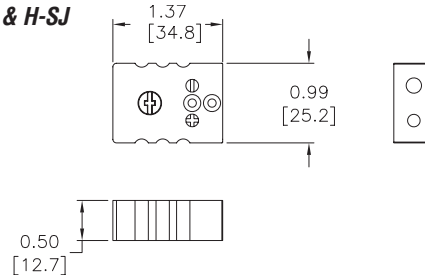
## Dimensions

inches [mm]

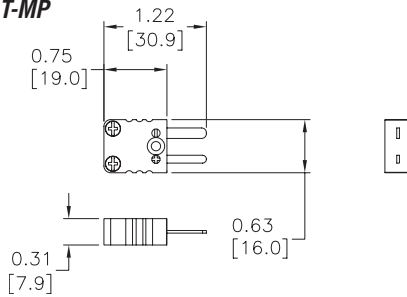
**THMJ, K, T, & H-SP**



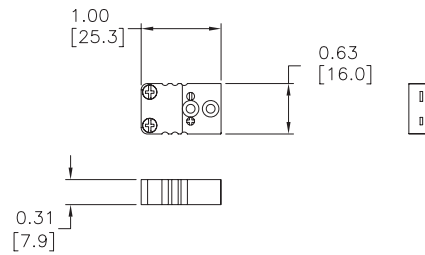
**THMJ, K, T, & H-SJ**



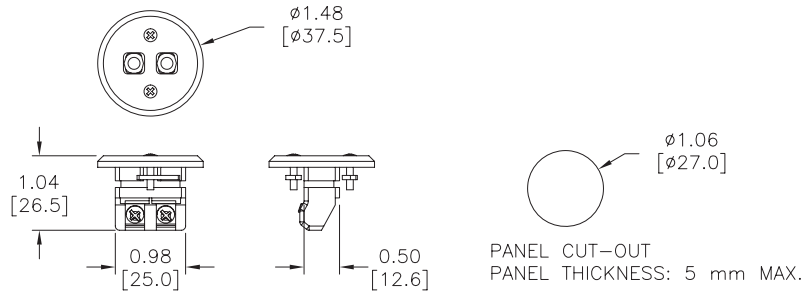
**THMJ, K, & T-MP**



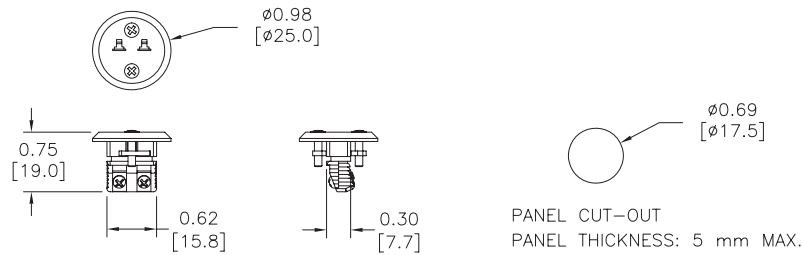
**THMJ, K, & T-MJ**



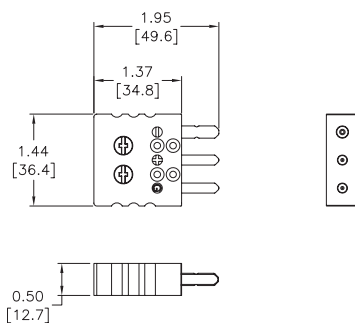
**THMJ, K, & T-SPJ**



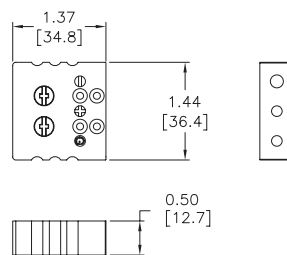
**THMJ, K, & T-MPJ**



**RTD-SP**



**RTD-SJ**



# pro<sup>sense</sup> Thermocouple and RTD Connectors

**WCB-S**



**WCB-M**



**WCB-S Application**



**WCB-M Application**

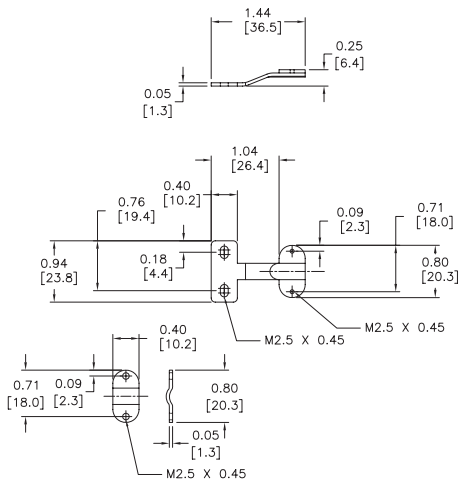


| Thermocouple and RTD Connectors Accessories |          |        |       |   |
|---|----------|--------|-------|---|
| Part Number                                 | Pcs/ Pkg | Wt(lb) | Price | Description   |
| WCB-S                                       | 4        | 0.5    |       | Wire / cable clamp bracket for use with standard thermocouple and RTD connectors. |
| WCB-M                                       | 4        | 0.5    |       | Wire / cable clamp bracket for use with miniature thermocouple connectors.        |

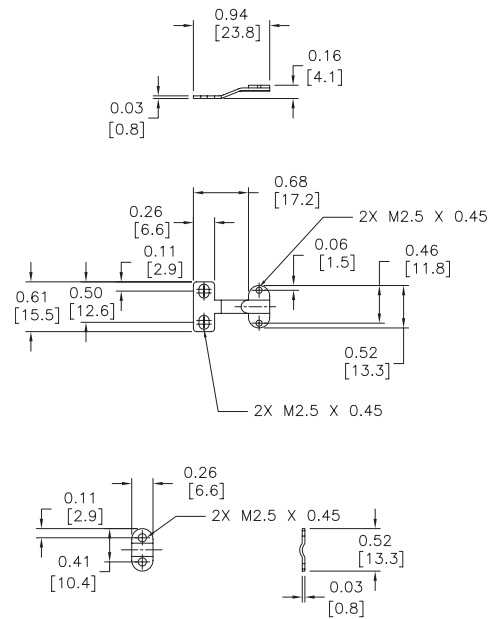
## Dimensions

inches [mm]

**WCB-S**



**WCB-M**





# pro<sup>ense</sup>® Thermocouple and RTD Temperature Range

| Thermocouple Temperature Range |   |   |
|--------------------------------|---|---|
| THMK-C06-04                    | 32 to 2100°F (0 to 1149°C)  |   |
| THMK-C12-04                    |   |   |
| THMK-C18-04                    |   |   |
| THMK-H06L01-03                 |   |   |
| THMK-H12L01-03                 |   |   |
| THMK-H18L01-03                 |   |   |
| THMK-T06L06-03                 | 32 to 2100°F (0 to 1149°C)<br>lead wire transition rated to 204°C (400°F) |   |
| THMK-T12L06-03                 |   |   |
| THMK-T18L06-03                 |   |   |
| TTD25C-20-0300F-H              | 0 to 300°F (-17.8 to 148.9°C)   |   |
| TTD25N-20-0300F-H              |   |   |
| THMJ-A01L04-01                 | 32 to 900°F (0 to 482°C)  |   |
| THMJ-A01L06-01                 |   |   |
| THMJ-A01L10-01                 |   |   |
| THMJ-A01L10-02                 |   |   |
| THMJ-B01L06-01                 |   |   |
| THMJ-B01L06-02                 |   |   |
| THMJ-B02L06-01                 |   |   |
| THMJ-B02L06-02                 |   |   |
| THMJ-D08L04-01                 |   |   |
| THMJ-D08L06-01                 |   |   |
| THMJ-D08L10-01                 |   |   |
| THMJ-D08L10-02                 |   |   |
| THMK-A01L04-01                 |   |   |
| THMK-A01L06-01                 |   |   |
| THMK-A01L10-01                 |   |   |
| THMK-A01L10-02                 |   |   |
| THMK-B01L06-01                 |   |   |
| THMK-B01L06-02                 |   |   |
| THMK-D08L04-01                 |   |   |
| THMK-D08L06-01                 |   |   |
| THMK-D08L10-01                 |   |   |
| THMK-D08L10-02                 |   |   |
| THMJ-T06L06-01                 |   | 32 to 970°F (0 to 521°C), lead wire transition rated to 400 °F (204 °C) |
| THMJ-T12L06-01                 |   |   |
| THMJ-T18L06-01                 |   |   |
| THMJ-P06-01                    | 32 to 970°F (0 to 521°C), plug rated to 400 °F (204 °C)                   |   |
| THMJ-P12-01                    |   |   |
| THMJ-P18-01                    |   |   |
| THMJ-C04-03                    | 32 to 1330°F (0 to 720°C)   |   |
| THMJ-C04R-03                   |   |   |
| THMJ-C06-01                    |   |   |
| THMJ-C06-02                    |   |   |
| THMJ-C06-03                    |   |   |
| THMJ-C06R-03                   |   |   |
| THMJ-C12-01                    |   |   |
| THMJ-C12-02                    |   |   |
| THMJ-C12-03                    |   |   |
| THMJ-C12R-03                   |   |   |
| THMJ-C18-01                    |   |   |
| THMJ-C18-02                    |   |   |
| THMJ-H04L01-02                 |   |   |
| THMJ-H06L01-01                 |   |   |
| THMJ-H06L01-02                 |   |   |
| THMJ-H12L01-01                 |   |   |
| THMJ-H12L01-02                 |   |   |
| THMJ-H18L01-01                 |   |   |

| Thermocouple Temperature Range |  |  |
|--------------------------------|--|--|
| THMJ-T06L06-02                 | 32 to 1330°F (0 to 720°C)<br>lead wire transition rated to 400 °F (204 °C)   |  |
| THMJ-T12L06-02                 |  |  |
| THMJ-T18L06-02                 |  |  |
| THMJ-P06-02                    | 32 to 1330°F (0 to 720°C)<br>plug rated to 400 °F (204 °C)                   |  |
| THMJ-P12-02                    |  |  |
| THMJ-P18-02                    |  |  |
| THMK-C04-03                    | 32 to 1700°F (0 to 927°C)  |  |
| THMK-C04R-03                   |  |  |
| THMK-C06-01                    |  |  |
| THMK-C06-02                    |  |  |
| THMK-C06R-03                   |  |  |
| THMK-C12-01                    |  |  |
| THMK-C12-02                    |  |  |
| THMK-C12-03                    |  |  |
| THMK-C12R-03                   |  |  |
| THMK-C18-01                    |  |  |
| THMK-C18-02                    |  |  |
| THMK-H04L01-02                 |  |  |
| THMK-H06L01-01                 |  |  |
| THMK-H06L01-02                 |  |  |
| THMK-H12L01-01                 |  |  |
| THMK-H12L01-02                 |  |  |
| THMK-H18L01-01                 |  |  |
| THMK-T06L06-01                 |  | 32 to 1700°F (0 to 927°C)<br>lead wire transition rated to 400 °F (204 °C) |
| THMK-T06L06-02                 |  |  |
| THMK-T12L06-01                 |  |  |
| THMK-T12L06-02                 |  | 32 to 1700°F (0 to 927°C)<br>plug rated to 400 °F (204 °C)                 |
| THMK-T18L06-01                 |  |  |
| THMK-T18L06-02                 |  |  |
| THMK-P06-01                    |  | 32 to 1700°F (0 to 927°C)<br>plug rated to 400 °F (204 °C)                 |
| THMK-P06-02                    |  |  |
| THMK-P12-01                    |  |  |
| THMK-P12-02                    | 32 to 900°F (0 to 482°C)   |  |
| THMK-P18-01                    |  |  |
| THMK-P18-02                    |  |  |
| THMK-B02L06-01                 | -328 to 700°F (-200 to 371°C), plug rated to 400 °F (204 °C)                 |  |
| THMK-B02L06-02                 |  |  |
| THMT-P06-01                    |  |  |
| THMT-P12-01                    | -328 to 700°F (-200 to 371°C), lead wire transition rated to 400 °F (204 °C) |  |
| THMT-P18-01                    |  |  |
| THMT-T06L06-01                 |  |  |
| THMT-T12L06-01                 | 32 to 212°F (0 to 100°C)   |  |
| THMT-T18L06-01                 |  |  |
| TTD25C-20-0100C-H              |  |  |
| TTD25N-20-0100C-H              | -4 to 284°F (-20 to 140°C)   |  |
| TSD25N-0P-0284-H               |  |  |

| RTD Temperature Range |                             |   |
|-----------------------|-----------------------------|---|
| RTD1-R01-01           | 40 to 185°F (-40 to 85°C)   |   |
| RTD1-S04-01           |                             |   |
| RTD1-S04-02           |                             |   |
| RTD1-S04-03           |                             |   |
| RTD1-S04-04           |                             |   |
| RTD1-B01L06-01        |                             |   |
| RTD1-B02L06-01        |                             |   |
| RTD1-C04-03           |                             |   |
| RTD1-C04R-03          |                             |   |
| RTD1-C06-01           |                             |   |
| RTD1-C06-03           |                             |   |
| RTD1-C06R-03          |                             |   |
| RTD1-C12-01           |                             |   |
| RTD1-C12-02           |                             |   |
| RTD1-C12-03           |                             |   |
| RTD1-C12R-03          |                             |   |
| RTD1-C18-01           | -58 to 572°F (-50 to 300°C) |   |
| RTD1-C18-02           |                             |   |
| RTD1-H04L01-02        |                             |   |
| RTD1-H06L01-01        |                             |   |
| RTD1-H06L01-02        |                             |   |
| RTD1-H12L01-01        |                             |   |
| RTD1-H12L01-02        |                             |   |
| RTD1-H18L01-01        |                             |   |
| RTD1-P06-01           |                             | -58 to 572°F (-50 to 300°C)<br>Plug rated to 400°F (204°C)                  |
| RTD1-P12-01           |                             |   |
| RTD1-P18-01           |                             | -58 to 572°F (-50 to 300°C),<br>lead wire transition rated to 400°F (204°C) |
| RTD1-D08L10-01        |                             |   |
| RTD1-T06L06-01        |                             |   |
| RTD1-T12L06-01        |                             |   |
| RTD1-T18L06-01        |                             |   |

| J, K, & T Thermocouple Color Code |        |   |
|-----------------------------------|--------|---|
| J                                 | White  | + |
|                                   | Red    | - |
| K                                 | Yellow | + |
|                                   | Red    | - |
| T                                 | Blue   | + |
|                                   | Red    | - |