

# pro<sup>ense</sup>® Connection Head and Ceramic Terminal Bases



## Overview

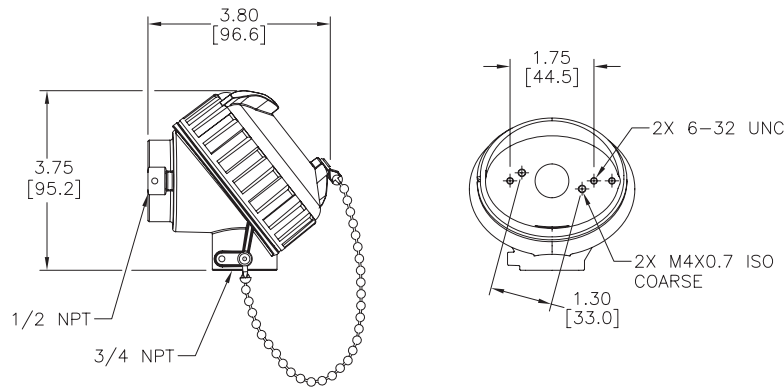
- Cast aluminum NEMA 4X, IP66 screw cover head with captive gasket
- One turn cover removal & installation eliminates cross threading and saves time
- 3/4" NPT conduit opening with internal stop to prevent overtightening and installation damage
- Gripping ribs on cover edge
- Stainless steel cover chain
- Made in the USA

ProSense Aluminum Connection Head				
Part Number	Description	Pcs/ Pkg	Wt(lb)	Price
CHSC-AL-1	ProSense general purpose screw cover connection head for temperature probes, die-cast aluminum, 1/2 NPT process opening, 3/4 NPT conduit opening, NEMA 4X, IP66 rated, graphite gasket, maximum temperature rating of 825°F (440°C)	1	1.0	

## Dimensions

inches [mm]

CHSC-AL-1



CHTB-2



CHTB-3

## Overview

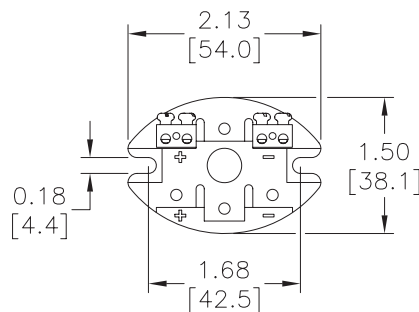
- Available with two terminals for thermocouples or three terminals for RTDs
- Fits CHSC-AL-1 connection heads
- Ceramic base with brass terminals and stainless steel screws
- Accepts up to 12 AWG wire

Terminal Base for Connection Heads				
Part Number	Description	Pcs/ Pkg	Wt(lb)	Price
CHTB-2	ProSense ceramic terminal base, two brass terminals with stainless steel screws, for use with ProSense temperature probe connection heads, two mounting screws included.	1	1.0	
CHTB-3	ProSense ceramic terminal base, three brass terminals with stainless steel screws, for use with ProSense temperature probe connection heads, two mounting screws included.	1	1.0	

## Dimensions

inches [mm]

CHTB-2



CHTB-3

