

pro^{sense} Thermowells for RTD Probes and Transmitters with M12 Cable Connector



Overview

- All thermowells are pre-built stock items
- Thermowells for ProSense RTD and transmitter probes with M12 cable connector
- All wetted parts are 316 stainless steel
- 600°F (315°C) temperature and 232 psi (16 bar) pressure rating
- CF06-25N or CF10-50N fitting required to mount probes in thermowell
- 3-year warranty



Thermowells for RTD and Transmitter Probes with M12 Cable Connector										
Part Number	Pcs/Pkg	Wt(lb)	Price	I.D.	Overall Length	Male Process Threads	Female Probe Threads	Wetted Material	Temperature/Pressure Rating	Use With
RTDTW-06-010-50N	1	0.10			113mm (4.4")					XTP-160-N40140F XTP-160-0300F XTP-160-0100C RTD0100-06-010-H CF06-25N
RTDTW-06-020-50N	1	0.20		7 mm (0.28")	213mm (8.4")		1/4" NPT			XTP-260-N40140F XTP-260-0300F XTP-260-0100C RTD0100-06-020-H CF06-25N
RTDTW-06-030-50N	1	0.30			313mm (12.3")	1/2" NPT		316 SS	600°F (315°C) max; 232 psi (16 bar) max	XTP-360-N40140F XTP-360-0300F XTP-360-0100C RTD0100-06-030-H CF06-25N
RTDTW-10-010-50N	1	0.10			92mm (3.62")					RTD0100-10-010-H CF10-50N
RTDTW-10-030-50N	1	0.22		11 mm (0.43")	292mm (11.48")		1/2" NPT			CF10-50N



NOTE: CHECK THE CHEMICAL COMPATIBILITY OF THE THERMOWELL'S WETTED PARTS WITH THE MEDIUM TO BE MEASURED.



NOTE: RESPONSE TIME WILL BE SLOWER WHEN INSTALLED IN A THERMOWELL. BE SURE TO INSTALL THE PROBE SO THAT IT CONTACTS THE END OF THE THERMOWELL FOR FASTER RESPONSE.. THERMAL COMPOUND MAY BE USED DEPENDING ON APPLICATION

Probe & Thermowell Assembly Example



RTD0100 Series or XTP Series Probe

CF06-25N or CF10-50N Compression Fitting

RTDTW Series Thermowell

Note: Once tightened compression fitting cannot be re-adjusted

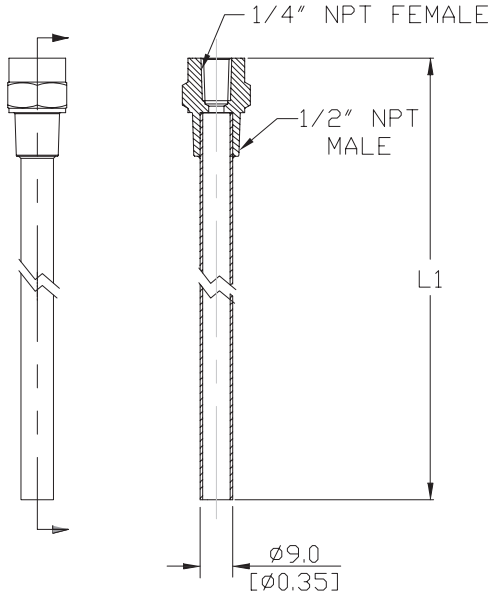


Thermowells for RTD Probes and Transmitters with M12 Cable Connector

Dimensions

inches [mm]

RTDTW-06 Series



Part Number	L1
RTDTW-06-010-50N	113mm [4.4]
RTDTW-06-020-50N	213mm [8.4]
RTDTW-06-030-50N	313mm [12.3]

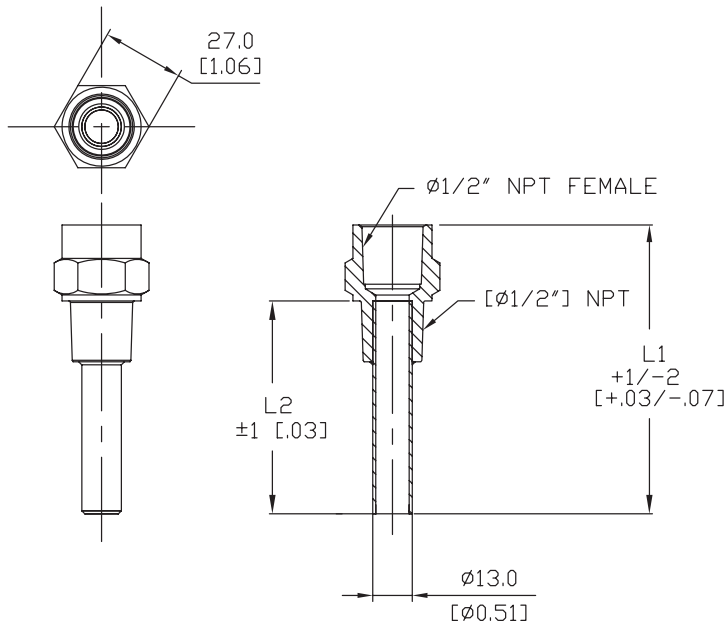
Torque threads to 40 lb-ft [54.23 Nm]*

* Torque values are for reference. Actual torque required for a proper seal of NPT threads is influenced by tolerance, sealant, lubricant, etc.

Dimensions

inches [mm]

RTDTW-10 Series



Part Number	L1	L2
RTDTW-10-010-50N	92mm [3.62]	70mm [2.75]
RTDTW-10-030-50N	292mm [11.48]	270mm [10.6]

Torque threads to 40 lb-ft [54.23 Nm]*