

pro^{sense}® TTD Series Temperature Transmitters

Overview



- Converts RTD temperature probe output to 4-20mA signal
- High accuracy 2-wire or 3-wire 4-20mA temperature transmitter
- M12 quick-disconnect for fast mounting
- 3 available temperature ranges
- 3-year warranty
- LED indication of loop current



Note: Above photo shows assembled unit with TTD Transmitter and RTD0100 Probe

ProSense Temperature Transmitter TTD Series					
Part Number	Description	Pcs/Pkg	Wt (lb)	Price	Cable Assemblies*
TTD-20-N40160F-H	Temperature transmitter, 4-20mA output, over temperature range of -40°F to 160°F (-40°C to 71.1°C)	1	0.25		CD12L-0B-020-A0 CD12L-0B-020-C0 CD12M-0B-070-A1 CD12M-0B-070-C1
TTD-20-N40300F-H	Temperature transmitter, 4-20mA output, over temperature range of -40°F to 300°F (-40°C to 148.8°C)	1	0.25		CDP12-0B-010-AA CDP12-0B-030-AA CDP12-0B-010-BB CDP12-0B-030-BB

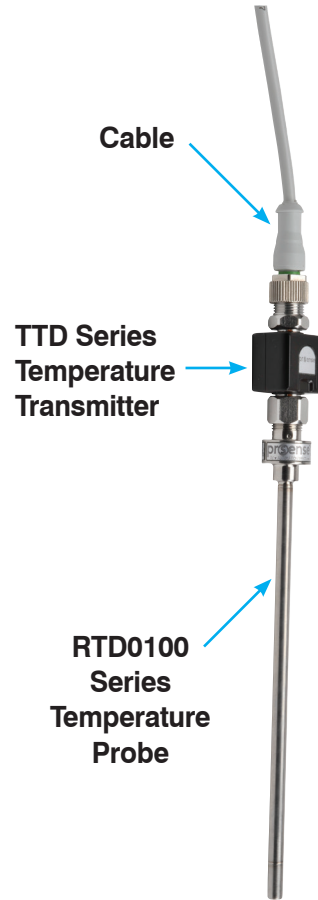
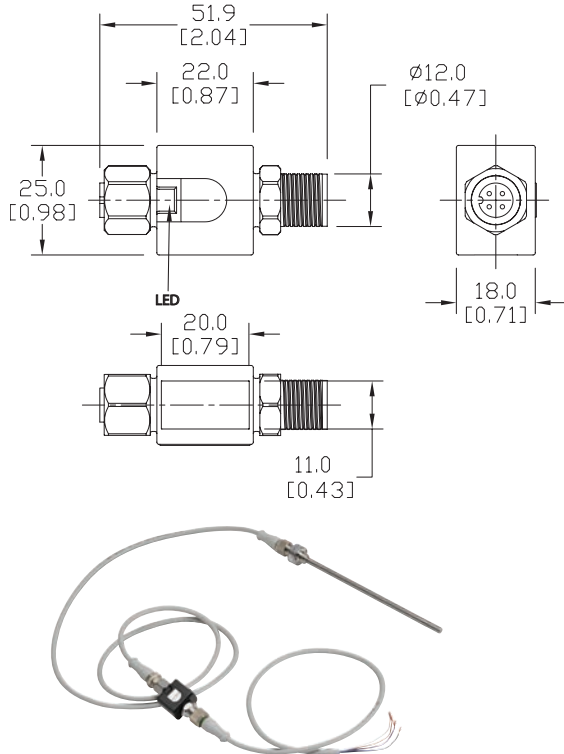
* Order separately - See proximity sensor section for cable specs.

ProSense TTD Series Technical Specifications			
	TTD-20-N40160F-H	TTD-20-N40300F-H	TTD-20-30300F-H
Operating Voltage	20 to 32 VDC		
Electrical Connection	M12 connector; gold-plated contacts (torque 5 to 13 in/lbs)		
Short-Circuit Protection	Yes (non-latching)		
Overload Protection	Yes		
Reverse Polarity Protection	Yes		
Analog Output	4 to 20 mA (min/max 3.85 to 22 mA)		
Maximum Load	Rmax: 300 Ω		
Accuracy	± 0.3°C + (± 0.1 % span)		
Resolution	± 0.3°C + (± 0.1 % span)		
Measuring - Display [ms] / Cycle [ms]	100		
Scaled Range	-40°F to 160°F (-40°C to 71.1°C)	-40°F to 300°F (-40°C to 148.8°C)	30°F to 300°F (-1.1°C to 148.8°C)
Dynamic Response (DIN EN 60751)	*t0.5 + 1 sec. / t0.9 = 3 sec.		
Housing Material	Polyamide PACM 12 (TROGAMID); PED; sealing:FPM (Viton); nut: stainless steel 316L / 1.4404; connector: TPU (urethane)		
Ambient Temperature	-13°F to 158°F (-25°C to 70°C)		
Storage Temperature	-40°F to 185°F (-40°C to 85°C)		
Protection	IP 67		
Insulation Resistance	> 100MΩ / 500 VDC		
Shock Resistance	50g (DIN / IEC 68-2-27, 11ms)		
Vibration Resistance	20g (DIN / EN 68-2-6, (10 to 2000 Hz)		
EMC	EN 61326		
EN 61000-4-2 ESD	4 kV CD / 8 kV AD		
EN 61000-4-3 HF Radiated	10 V/m		
EN 61000-4-4 Burst	2 kV		
EN 61000-4-5 Surge	1 kV		
EN 61000-4-6 HF Conducted	10 V		
Power-On Delay Time	1 sec.		
Agency Approvals	UL 508 listed, File # E324411, CE, RoHS		

pro^{sense} TTD Series Temperature Transmitter

Dimensions

mm [inches]



Note: The TTD transmitter can be located remotely from the RTD0100 probe by using an additional patch cable.

Wiring

INPUT SENSOR CONNECTION

OUTPUT SIGNAL CONNECTION

Cable Assembly Wiring Colors:
 Pin 1 - Brown
 Pin 2 - White
 Pin 3 - Blue
 Pin 4 - Black
 Note: Wiring colors are based on AutomationDirect CD12L and CD12M 4-pole cable assemblies.

