

Roxburgh RES10 Series EMI Filters

Single-phase General Purpose EMI Filters

The Roxburgh RES10 Series single-stage filters are specifically designed as line filters for 120/240 VAC devices. RES10 Series provide excellent attenuation performance for RFI and general

purpose filtering applications. The filters are designed for fast and easy integral mounting on chassis hardware.

Features

- 0-240 VAC/DC, 0-400 Hz, single-phase
 - 1A- 30A models
 - Metal case, miniature type
 - 1/4" quick disconnect or screw terminals
 - Quick and easy mounting
- *Filter performance curves are available on item page at:

Applications

- Ideally suited for products that must conform to part 15, FCC regulations
- Digital electronics
- Personal computers and peripherals
- Office automation
- Building automation
- Monitors and display units
- Household and consumer devices
- Machinery design

Standards and Certifications



RES EMI Filters		
Part Number	Price	Description
RES10F01		EMI Input Filter 120/240 VAC, 1-ph, 1A
RES10F03		EMI Input Filter 120/240 VAC, 1-ph, 3A
RES10F06		EMI Input Filter 120/240 VAC, 1-ph, 6A
RES10F10		EMI Input Filter 120/240 VAC, 1-ph, 10A
RES10F12		EMI Input Filter 120/240 VAC, 1-ph, 12A
RES10F13		EMI Input Filter 120/240 VAC, 1-ph, 13A
RES10F16		EMI Input Filter 120/240 VAC, 1-ph, 16A
RES10S20		EMI Input Filter 120/240 VAC, 1-ph, 20A
RES10S30		EMI Input Filter 120/240 VAC, 1-ph, 30A

General Specifications	
Voltage Rating	0-240V AC/DC, 0-400 Hz
Voltage Max.	250V
Voltage Withstand	3000VDC/2 sec
Phase	1
UL/IEC Pollution Class	Degree II
Humidity	93% RH (non-condensing)
Overload Current	135% 2Hrs, 150% 60s
Insulation Resistance	500VDC >3.5 MΩ
Climate Class (IEC 60068-1)	25/100/21
Temperature Rise	60°C
Temperature Rating	-13 to 212°F (-25 to 100°C)
Flammability (UL94)	V-2
Case Material	Nickel Plated Steel
Altitude*	1000m (3000m with derating)
Mounting Clearance	>50mm Gap
Agency Approval**	cURus: File# E191581 (Standard: UL1283 & C22.2 No.8)

* Derate 1% per 100m after 1000m; Max 3000m.

**To obtain the most current agency approval information, see the Agency Approval Checklist section on the specific component part number web page.

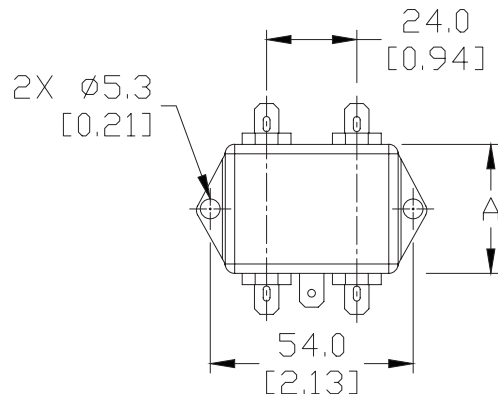
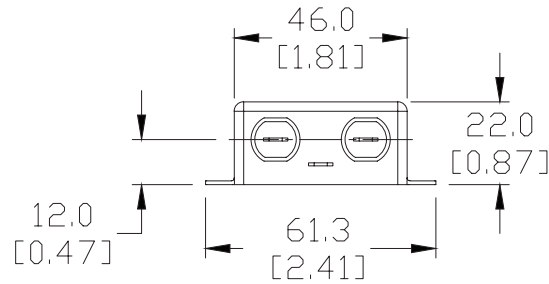
Roxburgh RES10 Series EMI Filters

Specifications										
Parameter	RES10F01	RES10F03	RES10F06	RES1F10	RES1F12	RES1F13	RES10F16	RES10S20	RES10S30	
Max. Power (kW)	0.25	0.75	1.5	2.5	3	3.25	4	5	7.5	
Current Rating (A)	1	3	6	10	12	13	16	20	30	
SCCR Rating (kA)	5									
Ingress Protection	IP20									
Terminal Style	1/4" Quick Disconnect							M4 Stud		
Torque, lb-in (N·m)	N/A							11.5 (1.3)		
Operational Leakage Current (mA)	0.74								0.87	
Total Resistance, Line to Load (mΩ)	300	100	25	50	45	25	50	25		
Residual Voltage (V@5s)	1V@5s									
Heat Dissipation (W)	0.6	0.9	5	6.48	4.23	12.8	20	22.5		
Weight lbs (kg)	0.15 (0.07)			0.2 (0.09)		0.15 (0.07)	0.29 (0.13)	0.46 (0.21)	1.0 (0.42)	

Dimensions

mm [inches]

- RES10F01
- RES10F03
- RES10F06
- RES10F13



PART NUMBER	A
RES10F01	34.3 [1.35]
RES10F03	32.0 [1.26]
RES10F06	32.0 [1.26]
RES10F13	34.3 [1.35]

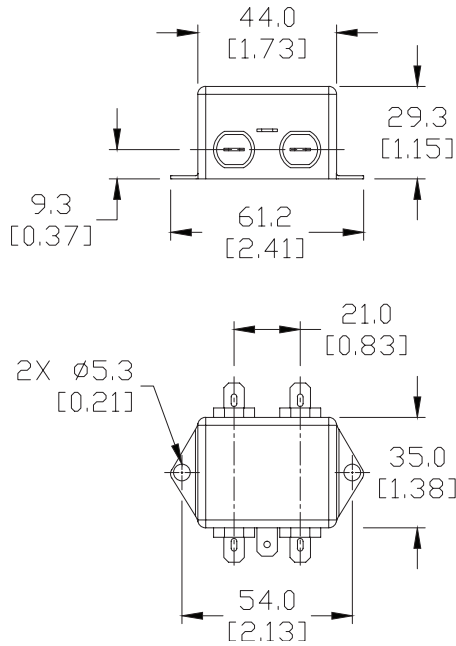
Roxburgh RES10 Series EMI Filters

Dimensions

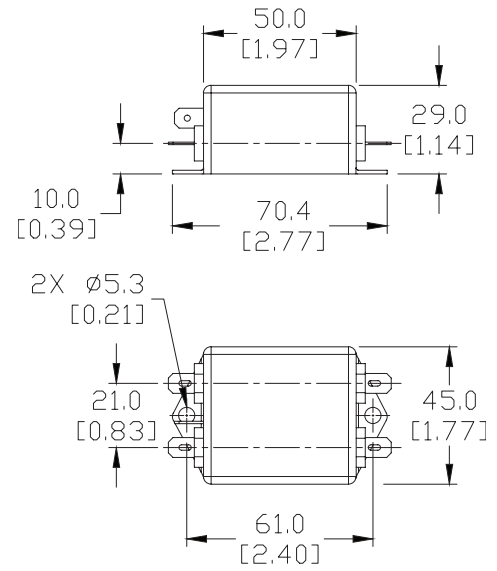
mm [inches]

RES10F10

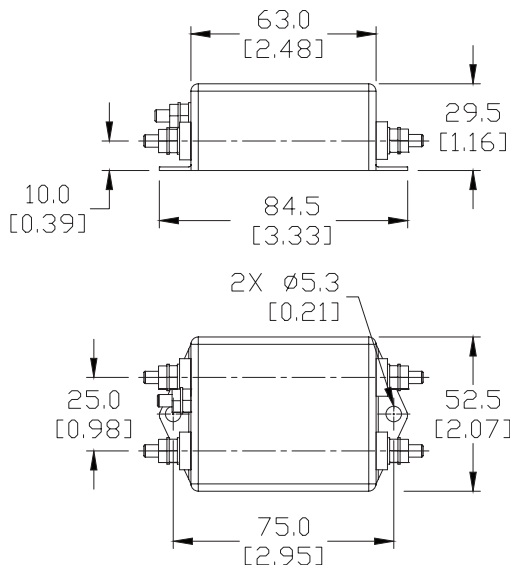
RES10F12



RES10F16



RES10S20



RES10S30

