

# Roxburgh RES70 Series EMI Filters

## Single-phase General Purpose EMI Filters - High Performance

The Roxburgh RES70 Series filters are specifically designed as line filters for 120/240V AC devices. RES70 Series filters provide high performance for both common mode and

differential mode interference and are rated up to 250V. The filters are chassis mount and should be installed inside a cabinet or enclosure.

### Features

- 0-240VAC/DC, 0-400 Hz, single-phase
  - 1A - 36A models
  - Metal case, miniature type
  - 1/4" quick disconnect or screw terminals
  - Panel mount
- \*Filter performance curves are available on item page at:

- Ideally suited for products that must conform to part 15, FCC regulations
- Digital electronics
- Personal computers and peripherals
- Measuring instruments
- For monitors and display units

### Standards and Certifications



### Applications



RES EMI Filters		
Part Number	Price	Description
RES70F01		EMI Input filter, 120/240 VAC, 1-phase, two-stage, 1A
RES70F03		EMI Input filter, 120/240 VAC, 1-phase, two-stage, 3A
RES70F06		EMI Input filter, 120/240 VAC, 1-phase, two-stage, 6A
RES70F10		EMI Input filter, 120/240 VAC, 1-phase, two-stage, 10A
RES70F12		EMI Input filter, 120/240 VAC, 1-phase, two-stage, 12A
RES70F16		EMI Input filter, 120/240 VAC, 1-phase, two-stage, 16A
RES70S25		EMI Input filter, 120/240 VAC, 1-phase, two-stage, 25A
RES70S36		EMI Input filter, 120/240 VAC, 1-phase, two-stage, 36A

General Specifications	
<b>Voltage Rating</b>	0-240VAC/DC, 0-400 Hz
<b>Voltage Max.</b>	250V
<b>Voltage Withstand</b>	3000VDC/2 sec
<b>Phase</b>	1
<b>UL/IEC Pollution Class</b>	Degree II
<b>Humidity</b>	93% RH (non-condensing)
<b>Overload Current</b>	135% 2Hrs, 150% 60s
<b>Insulation Resistance</b>	500VDC >3.5 MΩ
<b>Climate Class (IEC 60068-1)</b>	25/100/21
<b>Temperature Rise</b>	60°C
<b>Temperature Rating</b>	-13 to 212°F (-25 to 100°C)
<b>Flammability (UL94)</b>	V-2
<b>Case Material</b>	Nickel Plated Steel
<b>Altitude*</b>	1000m (3000m with derating)
<b>Mounting Clearance</b>	>50mm Gap
<b>Agency Approval**</b>	cURus: File# E191581 (Standard: UL1283 & C22.2 No.8)

\* Derate 1% per 100m after 1000m; Max 3000m.

\*\*To obtain the most current agency approval information, see the Agency Approval Checklist section on the specific component part number web page.

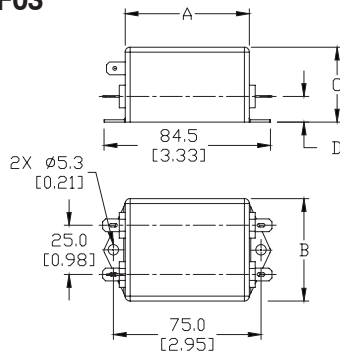
# Roxburgh RES70 Series EMI Filters

Specifications								
Parameter	RES70F01	RES70F03	RES70F06	RES7F10	RES7F12	RES70F16	RES70S25	RES70S36
Max. Power (kW)	0.25	0.75	1.5	2.5	3	4	6.25	9
Current Rating (A)	1	3	6	10	12	16	25	36
SCCR Rating (kA)	5							
Ingress Protection	IP20							
Terminal Style	1/4" Quick Disconnect						M4 Stud	
Torque, lbs in (N·m)	N/A						11.5 (1.3)	
Operational Leakage Current (mA)	0.734			0.002	0.734			0.867
Total Resistance, Line to Load (mΩ)	800	325	200	50		100		
Residual Voltage (V@5s)	1V@5s							
Heat Dissipation (W)	0.8	2.925	7.2	5	7.2	25.6	62.5	129.6
Weight, lbs (kg)	0.042 (0.19)	0.55 (0.25)	1.0 (0.45)	1.43 (0.65)	1.47(0.67)	1.32 (0.6)	1.74 (0.79)	

## Dimensions

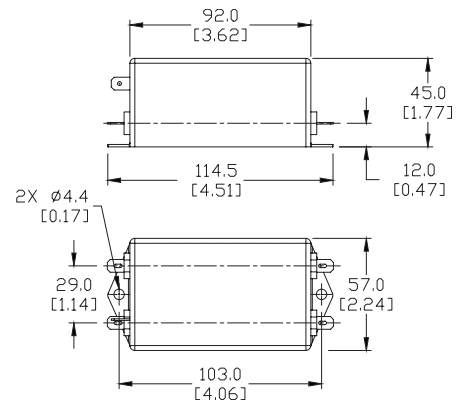
mm [inches]

RES70F01  
RES70F03

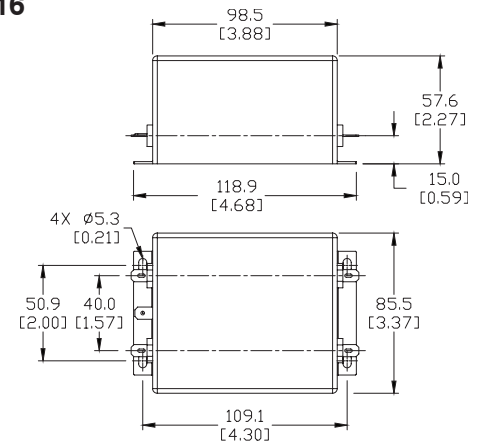


PART NUMBER	A	B	C	D
RES70F01	64.0 [2.52]	52.0 [2.05]	30.0 [1.18]	10.0 [0.39]
RES70F03	63.0 [2.48]	51.0 [2.01]	38.0 [1.50]	12.0 [0.47]

RES70F06



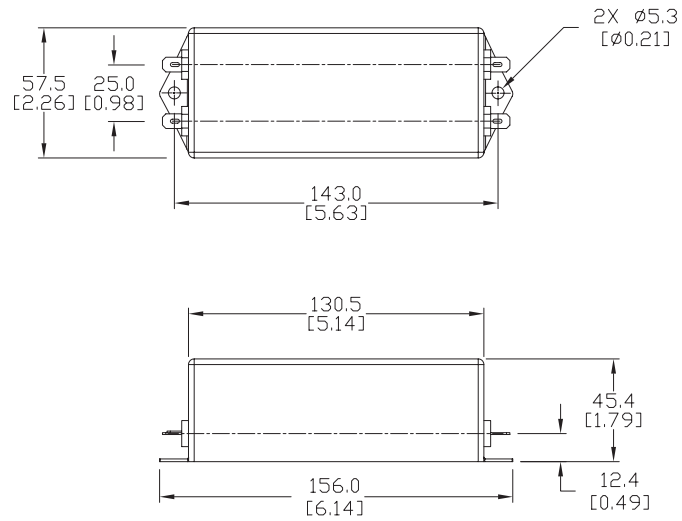
RES70F16



# Roxburgh RES70 Series EMI Filters

## Dimensions mm [inches]

**RES70F10**  
**RES70F12**



**RES70S25**  
**RES70S36**

