

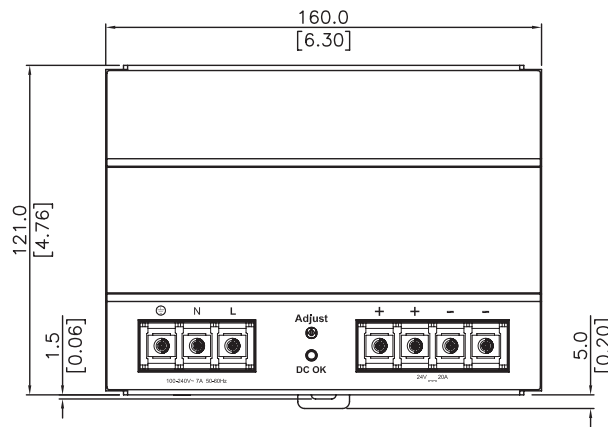
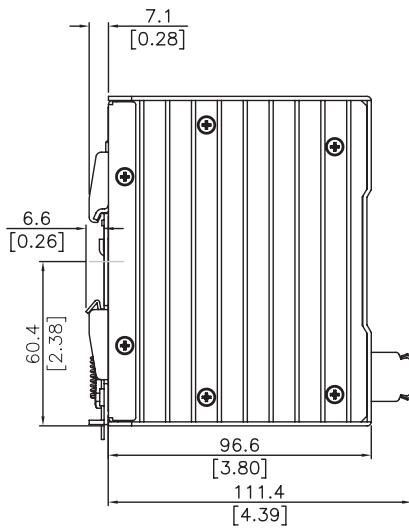
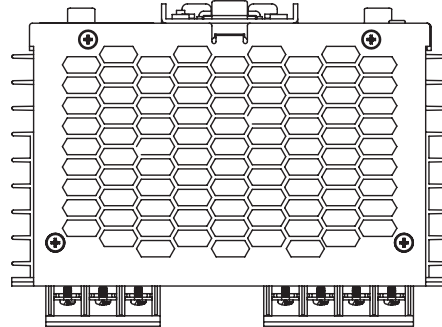
RHINO PSB Series DIN rail Power Supply Dimensions

Dimensions

mm [inches]

PSB24-480

Wiring Connection			
Input		Output	
L	Line	+	Out +
N	Neutral	+	Out +
⏏	AC Ground	-	Out -
		-	Out -



PSB Power Supply Accessories

PSB Series Power Supply Accessories		
Part No.	Price	Description
PSB-CVR		Universal replacement terminal cover kit for all RHINO PSB series power supplies. Universal kit includes (9) terminal covers to replace all terminal covers on any PSB power supply model

