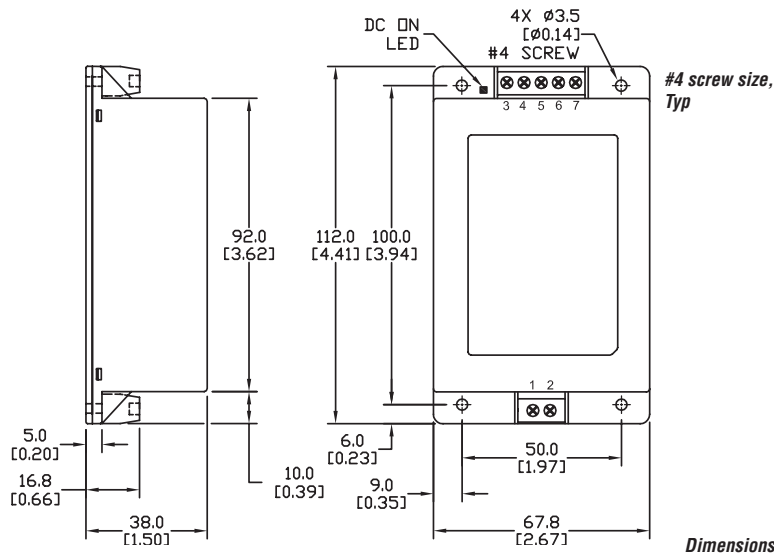


PSE Series Encapsulated Power Supplies

PSE 60W models for chassis mount

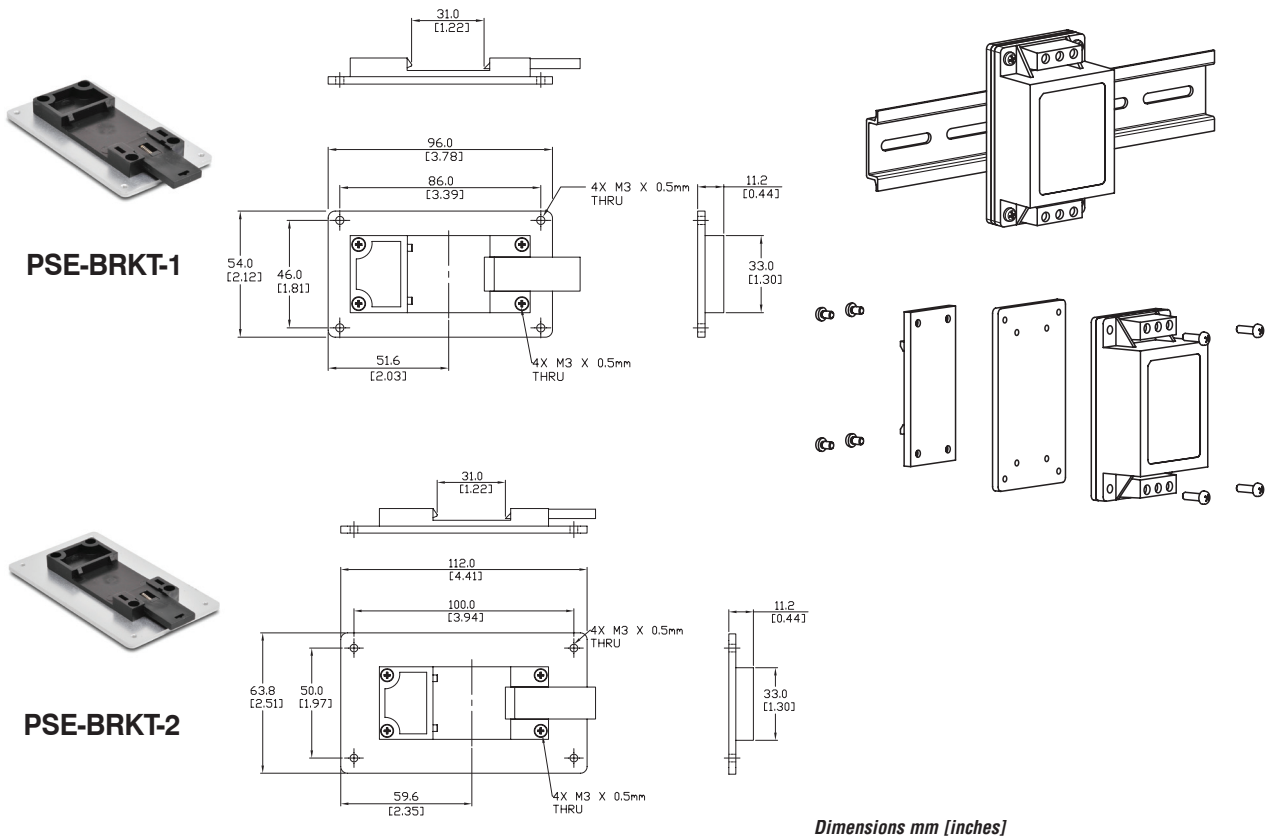


Connection	
Pin	Function
1	AC(N) - AC Neutral
2	AC(L) - AC Line
3	NC
4	+Vout
5	NC
6	-Vout
7	NC

Dimensions mm [inches]

35mm DIN Rail Mounting Bracket			
Part No.	Price	Weight (lbs)	Description
PSE-BRKT-1		0.2	DIN Rail mounting bracket for 15W PSE models
PSE-BRKT-2		0.2	DIN Rail mounting bracket for 30W-60W PSE models

Note: Kit contains interface plate, DIN Rail clip and necessary screws.



Dimensions mm [inches]