

# Roxburgh RIP/RIQ Series EMI Filters

## Single-phase Power Entry Module with Filter, Fuse and Switch

The Roxburgh RIP/RIQ Series Power Entry Modules are specifically designed as single-stage line filters for 120/240V AC devices where fusing and a power switch are desired. They provide good performance for both common mode and differential mode

interference and are rated at 250V. RIP filters are thru-hole flange mounted with screws. RIQ modules are designed to be through-hole snap-in style.

### Features

- 120/240V AC/DC, 50/60 Hz, single-phase
- 2A, 4A and 6A models
- One replaceable 5mm x 20mm glass fuse included in each module
- One spare 5mm x 20mm glass fuse included in each module fuse tray
- Metal case, miniature type
- Through-hole mount – Snap-in or Flanged
- 1/4" quick disconnect
- ON – OFF DPST switch
- \* Filter performance curves are available on item page at:

### Applications

- Ideally suited for products that must conform to part 15, FCC regulations
- Digital Electronics
- Personal computers and peripherals
- Measuring instruments
- Small equipment applications
- Monitors and display units

### Standards and Certifications



RIP Module

RIQ Module



RIP Module with fuse tray removed



RIP/RIQ Module Protective Sleeve SLV47

RIP/RIQ Power Entry Modules		
Part Number	Price	Description
RIP-0242-H2		IEC Inlet Filter 120/240VAC, 1-ph, 2A, SW/Fused, screw fix
RIP-0442-H2		IEC Inlet Filter 120/240VAC, 1-ph, 4A, SW/Fused, screw fix
RIP-0642-H2		IEC Inlet Filter 120/240VAC, 1-ph, 6A, SW/Fused, screw fix
RIQ-0242-H2		IEC Inlet Filter 120/240VAC, 1-ph, 2A, SW/Fused, snap
RIQ-0442-H2		IEC Inlet Filter 120/240VAC, 1-ph, 4A, SW/Fused, snap
RIQ-0642-H2		IEC Inlet Filter 120/240VAC, 1-ph, 6A, SW/Fused, snap
SLV47		Protective boot for RIP/RIQ series

General Specifications	
Voltage Rating	0-240V AC/DC 0-60 Hz
Voltage Max.	250V
Voltage Withstand	1500VAC
Phase	1
UL/IEC Pollution Class	Degree II
Humidity	93% RH (non-condensing)
Overload Current	135% 2 hrs, 150% 60s
Insulation Resistance	500V DC >3.5 M Ohms
Climate Class (IEC 60068-1)	-25/85/21
Temperature Rating	-13 to 185°F, -25° to 85°C
Flammability (UL94)	V-0
Material	Nickel Plated Steel
Altitude*	1000m (3000m with derating)
Mounting Clearance	>50mm Gap
Agency Approval**	CE (EN 60939-1), UR: File# E191581 (Standard: UL1283), CSA: File# 207414 (Standard: C22.2 No.8)

\* Derate 1% per 100m after 1000m; Max 3000m.

\*\*To obtain the most current agency approval information, see the Agency Approval Checklist section on the specific component part number web page.

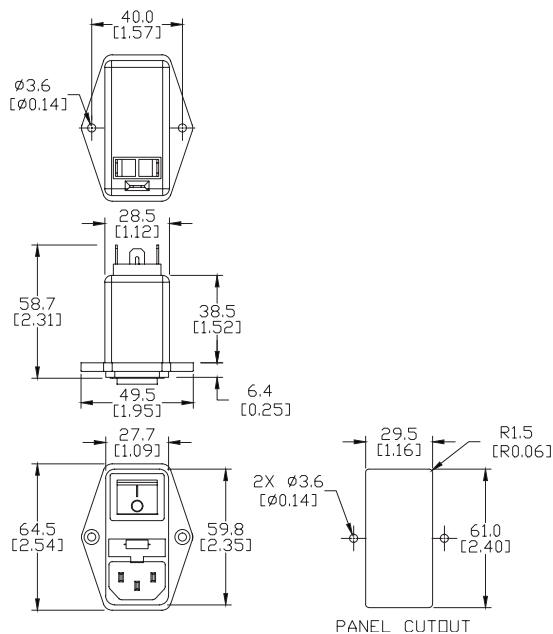
# Roxburgh RIP/RIQ Series EMI Filters

Specifications						
Parameter	RIP-0242-H2	RIP-0442-H2	RIP-0642-H2	RIQ-0242-H2	RIQ-0442-H2	RIQ-0642-H2
Max. Power (kW)	0.5	1.0	1.5	0.5	1.0	1.5
Current Rating (A)	2	4	6	2	4	6
SCCR Rating (kA)	5					
Ingress Protection	IP20					
Temperature Rise	40°C	45°C		40°C	45°C	
Terminal Style	1/4" quick disconnect					
Operational Leakage Current (mA)	0.35					
Total Resistance, Line to Load (mΩ)	500	250	170	500	250	170
Residual Voltage (V@5s)	1V@5s					
Heat Dissipation (W)	2	4	6.12	2	4	6.12
Weight, lbs (kg)	0.1 (0.045)					

## Dimensions

mm [inches]

### RIP Filter (Flanged)



### RIQ Filter (Snap-In)

