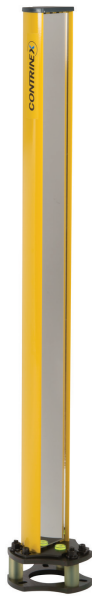


Contrinex Safety Light Curtains Accessories

Safety Light Curtains Accessories Overview			
Part Number	Price	Description	Use With
Mirror Columns			
YXC-1060-M11		Safety light curtain mirror column. 1060mm housing height, 974mm mirror length, aluminum profile with steel floor plates. Powder-varnished yellow (RAL1021) finish. Mounting hardware included.	YBB-xxxx-0150-xxx to YBB-xxxx-0800-xxx units
YXC-1960-M11	6.00	Safety light curtain mirror column. 1960mm housing height, 1874mm mirror length, aluminum profile with steel floor plates. Powder-varnished yellow (RAL1021) finish. Mounting hardware included.	YBB-xxxx-1600-xxx to YBB-xxxx-1700-xxxx units
YXC-1360-M23		Safety light curtain mirror column. 1360mm housing height, 2 x 400 beam gap, aluminum profile with steel floor plates. Powder-varnished yellow (RAL1021) finish. Mounting hardware included.	YCA-xxxx-3400-xxx units
YXC-1360-M24		Safety light curtain mirror column. 1360mm housing height, 3 x 300 beam gap, aluminum profile with steel floor plates. Powder-varnished yellow (RAL1021) finish. Mounting hardware included.	YCA-xxxx-4300-xxx units
Protective Columns			
YXC-1960-F00		Safety light curtain protective column. 1897mm housing height, aluminum profile with steel floor plates. Powder-varnished yellow (RAL1021) finish. Mounting hardware included. Two required to protect sender and receiver. 1/pk.	YBB-xxxx-1600-xxx to YBB-xxxx-1800-xxxx units
Other			
YXL-0001-000		Laser alignment tool for safety light curtains, class 2 laser, range up to 50 meters, useable and clippable to YBB and YCA light curtains models, 2 AAA batteries included.	YBB Series YCA Series
YXW-0001-000		Safety light curtain mounting brackets for top and bottom mounting. Plastic. 2/pk.	
YXW-0003-000		Safety light curtain sliding T-nuts for side mounting. Metal. 2/pk. Ideal torque from M5x0.8 thread is 6 Nm (4.42 lb-ft, 53.1 lb-in.).	



[YXW-0001-000](#)



[YXW-0003-000](#)



[YXL-0001-000](#)

Light Curtain Mirror Columns

- Multi-sided safe guarding of danger zones
- Robust protective profile
- 10% reduction of operating distance for mirror

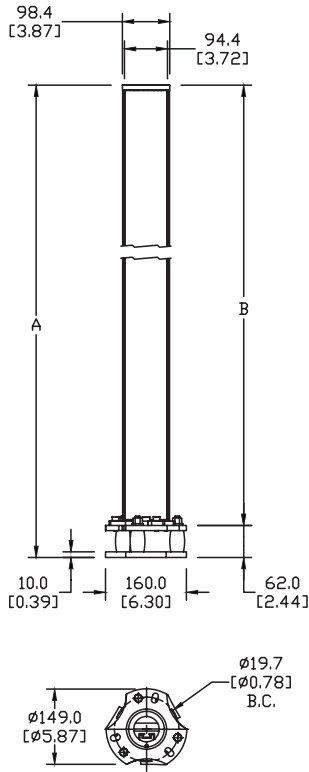
Light Curtain Protective Column

- Automatically bounces back after physical shock or vibration.
- Robust baseplate allows radial and vertical alignment.
- Solid aluminum profile

Contrinex Safety Light Curtains Accessories

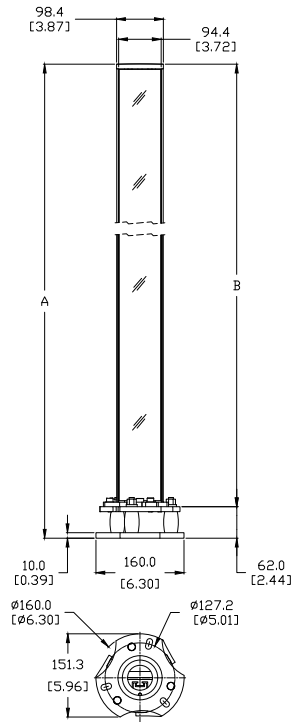
Dimensions mm [in]

Protective column



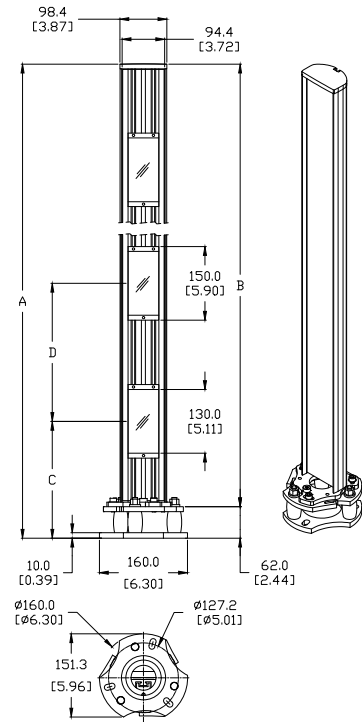
Mirror column

CONTINUOUS MIRROR



YXC-xxxx-M11

SEGMENTED MIRRORS



YXC-1360-Mxx

Safety Light Curtains Protective Columns Dimensions

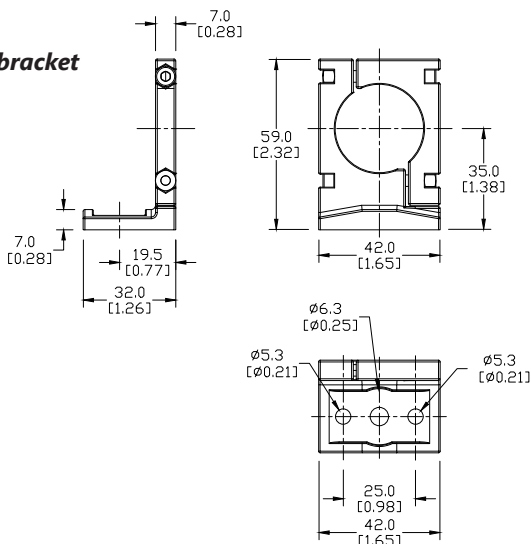
Part Number	Total Height A mm [in]	Housing Height B mm [in]
YXC-1960-F00	1960 [77.17]	1897 [74.69]

Safety Light Curtains Mirror Columns Dimensions

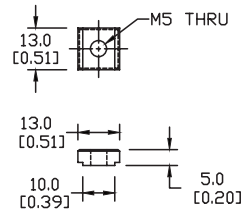
Part Number	Total Height A mm [in]	Mirror Height B mm [in]	Height to Lowest Beam C mm [in]	Beam Gap D mm [in]
YXC-1060-M11	1060 [41.73]	974 [38.35]	n/a	n/a
YXC-1360-M11	1360 [53.54]	1274 [50.16]	n/a	n/a
YXC-1960-M11	1960 [77.17]	1874 [73.78]	n/a	n/a
YXC-1360-M23	1360 [53.54]	n/a	2 x 400 [2 x 15.75]	300 [11.81]
YXC-1360-M24	1360 [53.54]	n/a	3 x 300 [2 x 11.81]	300 [11.81]

Note: Full and open top caps are provided to accommodate taller units.

Mounting bracket



T-Nuts for side mounting

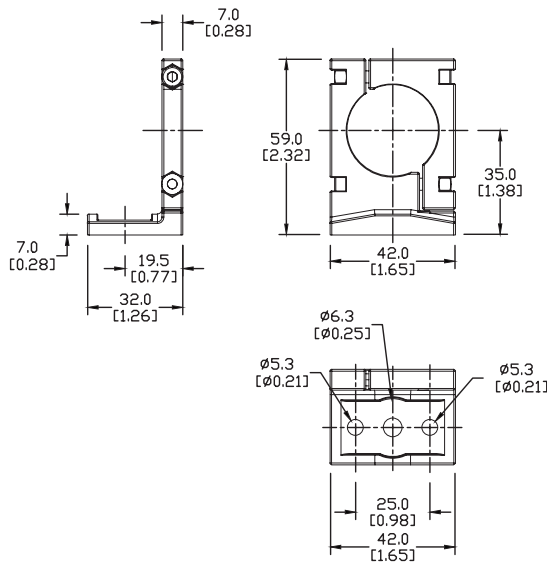


Contrinex Safety Light Curtains Accessories

Mounting bracket



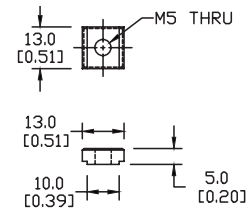
YXW-0001-000



T-Nuts for side mounting



YXW-0003-000



Laser Alignment Tool

- Clips on YBB and YCA Curtains/Barriers
- High quality lens for narrow output beam
- Up to 50m [164ft] range
- <1mW output power
- Standard AA batteries included

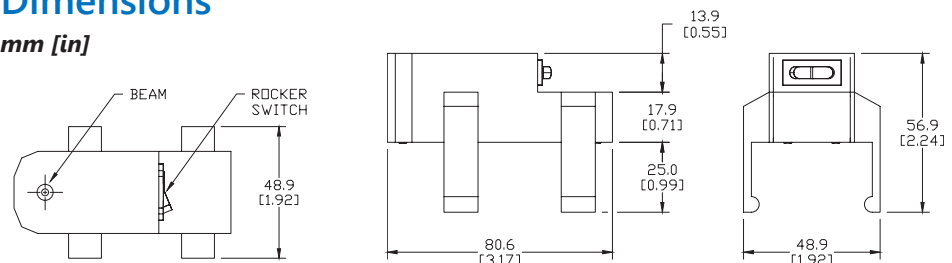


YXL-0001-000

Laser Alignment Tool YXL-0001-000 Specifications	
Supply Voltage Range	2.5 – 3.3 VDC
Laser Module Optical Output Power	<1mW (Class 2)
Range	50m (164ft)
Ambient Temperature Range	0-40°C (32-104°F)
Storage Temperature Range	0-60°C (32-140°F)
Wavelength	655nm ± 1%
Laser Beam Spot Size at 10m	< 10mm
Divergence Angle	1.1 mrad
Housing Material	PA with 30% fiberglass
Mounting	Clippable onto YBB / YCA devices
Weight	95g (0.21 lb)

Dimensions

mm [in]



Warning: Safety products sold by AutomationDirect are Safety components only.

The purchaser/installer is solely responsible for the application of these components and ensuring all necessary steps have been taken to assure each application and use meets all performance and applicable safety requirements and/or local, national and/or international safety codes as required by the application. AutomationDirect cannot certify that our products used solely or in conjunction with other AutomationDirect or other vendors' products will assure safety for any application.

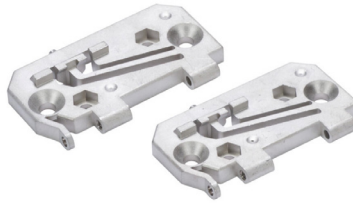
Any person using or applying any products sold by AutomationDirect is responsible for learning the safety requirements for their individual application and applying them, and therefore assumes all risks, and accepts full and complete responsibility for the selection and suitability of the product for their respective application. AutomationDirect does not provide design or consulting services, and cannot advise whether any specific application or use of our products would ensure compliance with the safety requirements for any application.

Contrinex Safety Light Curtains YBxS Accessories

Contrinex Safety Light Curtains YBxS Accessories					
Part Number	Price	Description	Material	Mounting	Use With
<u>YXW-0005-000</u>		Contrinex mounting bracket. Package of 2.	Glass fiber reinforced polyamide	Top and bottom mount	YBxS series light curtains
<u>YXW-0006-000</u>		Contrinex mounting bracket. Package of 2.	Stainless steel	Side mount	YBxS series light curtains
<u>YXW-0007-000</u>		Contrinex mounting bracket. Package of 2.	Stainless steel	Side or end mount	YBxS series light curtains



[YXW-0005-000](#)



[YXW-0006-000](#)



[YXW-0007-000](#)



Warning: Safety products sold by AutomationDirect are Safety components only.

The purchaser/installer is solely responsible for the application of these components and ensuring all necessary steps have been taken to assure each application and use meets all performance and applicable safety requirements and/or local, national and/or international safety codes as required by the application. AutomationDirect cannot certify that our products used solely or in conjunction with other AutomationDirect or other vendors' products will assure safety for any application.

Any person using or applying any products sold by AutomationDirect is responsible for learning the safety requirements for their individual application and applying them, and therefore assumes all risks, and accepts full and complete responsibility for the selection and suitability of the product for their respective application. AutomationDirect does not provide design or consulting services, and cannot advise whether any specific application or use of our products would ensure compliance with the safety requirements for any application.