

# Contrinex Safety Light Curtains Accessories



Safety Light Curtains Accessories Specifications		
Part Number	Price	Description
<b>YXW-0001-000</b>	<-->	Safety light curtain mounting brackets for top and bottom mounting. Plastic. 2/pk.
<b>YXW-0003-000</b>	<-->	Safety light curtain sliding T-nuts for side mounting. Metal. 2/pk. Ideal torque from M5x0.8 thread is 6 Nm (4.42 lb-ft, 53.1 lb-in.).
<b>YXC-1060-F00</b>	<-->	Safety light curtain protective column. 974 mm housing height, aluminum profile with steel floor plates. Powder-varnished yellow (RAL1021) finish. Use with YBB-xxxx-0150-xxx to YBB-xxxx-0800-xxxx units. Mounting hardware included. Two required to protect sender and receiver. 1/pk.
<b>YXC-1360-F00</b>	<-->	Safety light curtain protective column. 1274 mm housing height, aluminum profile with steel floor plates. Powder-varnished yellow (RAL1021) finish. Use with YBB-xxxx-0900-xxx to YBB-xxxx-1000-xxxx units. Mounting hardware included. Two required to protect sender and receiver. 1/pk.
<b>YXC-1660-F00</b>	<-->	Safety light curtain protective column. 1574 mm housing height, aluminum profile with steel floor plates. Powder-varnished yellow (RAL1021) finish. Use with YBB-xxxx-1200-xxx to YBB-xxxx-1400-xxxx units. Mounting hardware included. Two required to protect sender and receiver. 1/pk.
<b>YXC-1960-F00</b>	<-->	Safety light curtain protective column. 1874 mm housing height, aluminum profile with steel floor plates. Powder-varnished yellow (RAL1021) finish. Use with YBB-xxxx-1600-xxx to YBB-xxxx-1800-xxxx* units. Mounting hardware included. Two required to protect sender and receiver. 1/pk.

## Light Curtain Protective Column

- Automatically bounces back after physical shock or vibration
- Robust baseplate allows radial and vertical alignment
- Solid aluminum profile



**YXW-0001-000**

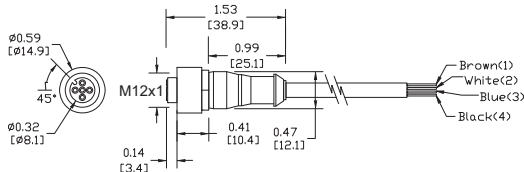


**YXW-0003-000**

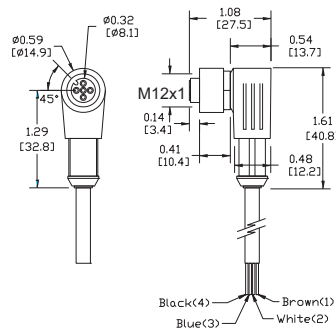
M12 Quick-Disconnect Cables (Euro, Micro DC-Single Key)							
Part Number	Price	Length	Poles	Connector	LED	Jacket	Dimensions
<b>M12 Quick-Disconnects</b>							
<b>CD12L-0B-020-A0</b>	<-->	2m (6.5ft)	4	Axial	No	PVC	Figure 1
<b>CD12L-0B-020-C0</b>	<-->	2m (6.5ft)	4	Right-angle	No	PVC	Figure 2
<b>CD12M-0B-070-A1</b>	<-->	7m (23ft)	4	Axial	No	PVC	Figure 1
<b>CD12M-0B-070-C1</b>	<-->	7m (23ft)	4	Right-angle	No	PVC	Figure 2

\* Note: Do not use with: DM, FA, QX, SS, SSF, SU, TU, VM, VK, MV, MS or MSF series sensors. These sensors require 4-pole cables.

**Figure 1**



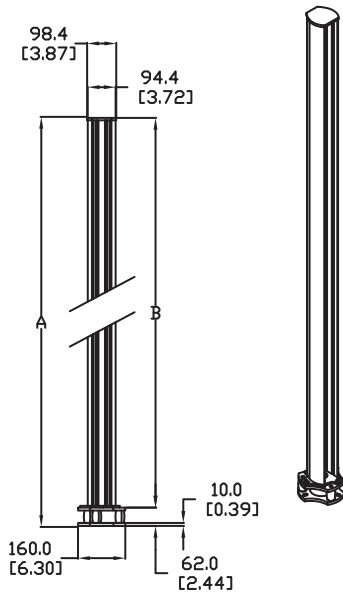
**Figure 2**



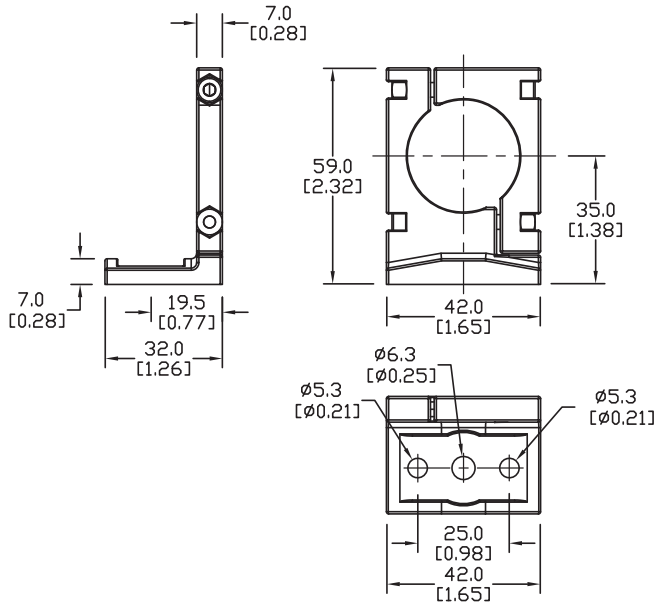
# Safety Products

## Dimensions mm [in]

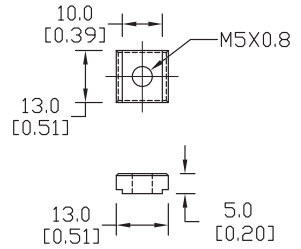
### Column



### Mounting bracket



### T-Nuts for side mounting



Safety Light Curtains Columns Dimensions			
Part Number	Total Height A mm [in]	Housing Height B mm [in]	Use With
<b>YXC-1060-F00</b>	1060 [41.73]	974 [38.35]	YBB-xxxx-0150-xxx to YBB-xxxx-0800-xxx units
<b>YXC-1360-F00</b>	1360 [53.54]	1274 [50.16]	YBB-xxxx-0900-xxx to YBB-xxxx-1000-xxxx units
<b>YXC-1660-F00</b>	1660 [65.35]	1574 [61.97]	YBB-xxxx-1200-xxx to YBB-xxxx-1400-xxxx units
<b>YXC-1960-F00</b>	1960 [77.17]	1874 [73.78]	YBB-xxxx-1600-xxx to YBB-xxxx-1800-xxxx units

Note: Full and open top caps are provided to accommodate taller units.



**Warning:** Safety products sold by AutomationDirect are Safety components only. The purchaser/installer is solely responsible for the application of these components and ensuring all necessary steps have been taken to assure each application and use meets all performance and applicable safety requirements and/or local, national and/or international safety codes as required by the application. AutomationDirect cannot certify that our products used solely or in conjunction with other AutomationDirect or other vendors products will assure safety for any application.

Any person using or applying any products sold by AutomationDirect is responsible for learning the safety requirements for their individual application and applying them, and therefore assumes all risks, and accepts full and complete responsibility for the selection and suitability of the product for their respective application. AutomationDirect does not provide design or consulting services, and cannot advise whether any specific application or use of our products would ensure compliance with the safety requirements for any application.