

Dold LG7927/ LG7928 Extension Module



Additional contacts for emergency-stop modules and safety gate monitors.

- Safe timing circuits
- 4 forcibly guided output contacts at only 22.5 mm width
- According to:
 - Performance Level (PL) d and category 3 to EN ISO 13849-1: 2008
 - SIL Claimed Level (SIL CL) 2 to IEC/EN 62061
 - Safety Integrity Level (SIL) 2 to IEC/EN 61508 and IEC/EN 61511 when connected to a suitable safety module
- Adjustable time delay
- On - Delayed / Released Delayed
- Long life stability due to digital time base

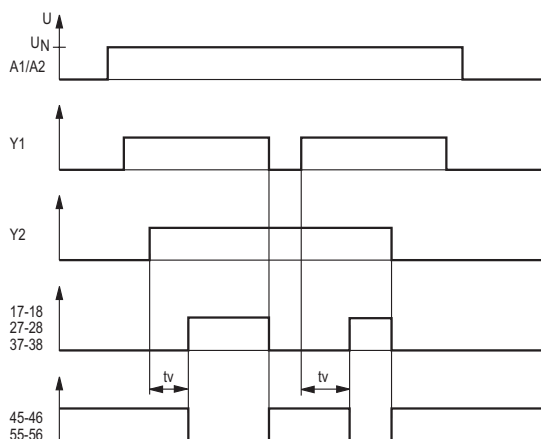
- Adjustable with or without cross fault detection
- Output: 3 N.O. contacts + 1 N.C. contact, 1 positive guided feedback contact
- LED indicator for channel 1, 2 and operation voltage



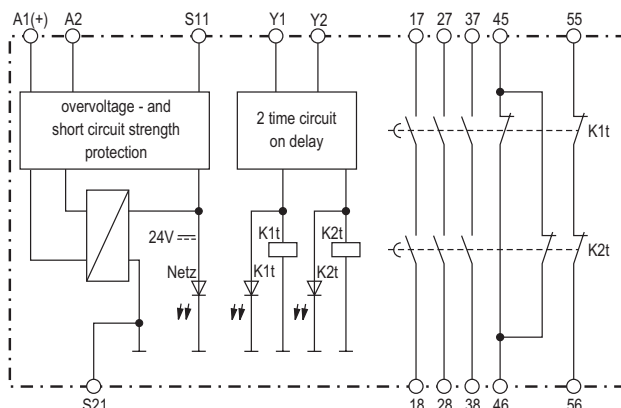
Safety Relays Selection Chart				
Part Number	Price	Marking Type	Voltage	Outputs
LG7927-97-61-10		On-Delayed Safety Relay Extension Model	24VAC/VDC	3 NO time delay (1 to 10 second) positive guided safety contact(s) 1 NC time delay (1 to 10 second) positive guided safety contact(s) 1 NC time delay monitoring contact
LG7927-97-61-60		Please consider LG7927-97-61-10 as a comparable replacement.		
LG7928-97-61-10		Release-Delayed Safety Relay Extension Model	24VAC/VDC	3 NO time delay (1 to 10 second) positive guided safety contact(s) 1 NC time delay (1 to 10 second) positive guided safety contact(s) 1 NC time delay monitoring contact
LG7928-97-61-60		Please consider LG7928-97-61-10 as a comparable replacement.		

Safety Data – Values per EN ISO 13849-1	
Category	3
Performance level	PLd
MTTF _d	172.3 years
DC _{avg}	99%
Safety Data – Values per IEC/EN 62061 /IEC/EN 61508	
SIL CL	2
SIL	2
HFT (Hardware Failure Tolerance)	1
DC _{avg}	99%
SFF	99.7%
PFH _D	2.95E-10 h-1

Function Diagram



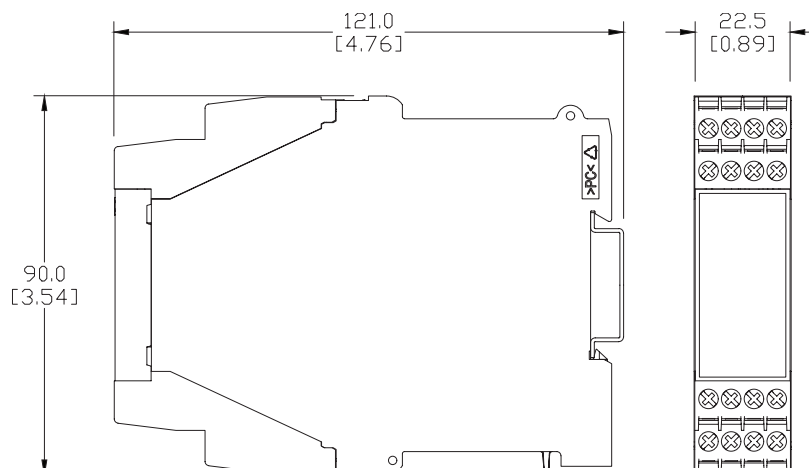
Block Diagram



Dold LG7927/LG7928 Extension Module

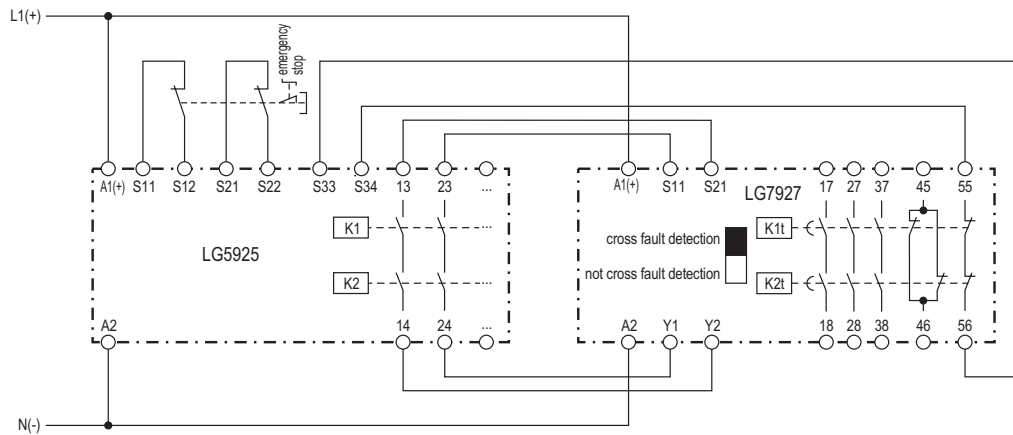
Safety Relay Extension Module Specification Table	
General Specifications	
Temperature	Storage: -25°C to 85°C (-13°F to 185°F) Operating: -15°C to 55°C (5°F to 131°F)
Altitude	< 2.000 meters
Vibration Resistance	Amplitude: 0.35mm, Frequency: 10 to 55 Hz (IEC/EN 60-068-2-6)
Degree of Protection	Per IEC/EN 60 529. Housing: IP40; Terminals IP20
Housing	UL 94V-0 Thermoplastic; DIN mount 35 mm x 7.5 mm
Weight	approximately 190g (6.70 oz.)
Agency Approvals and Standards	CSA, cULus file E107778, CE, RoHS, TUV
Terminal Designation per EN 50 005 Wire Connections	2 x 2.5 mm ² stranded ferruled (isolated) or 2 x 1.5 mm ² stranded ferruled (isolated) DIN 46 228-1/-2/-3/-4 or 2 x 2.5 mm ² solid per DIN 46 228-1/-2/-3 /-4
Wire Fixing	Plus-minus terminal screws M3.5 box terminals with wire protection.
Wire Connection	60degC/75degC Copper conductors only; AWG20-12 Sol/Str Torque 0.8NM
Input Specifications	
Nominal Voltage	24VAC/DC
Voltage Range	AC: 0.9 to 1.1 U _N At 10% residual ripple: 0.9 to 1.1 U _N ; At 48% residual ripple: 0.85 to 1.1 U _N
Maximum Consumption	24VAC/DC: 3.5 VA/2.0 W
Nominal Frequency	50 to 60 Hz
Control Current	Control current typ. at 24V over 2 relays: 75 mA
Overvoltage Protection	Internal VDR (Voltage Dependent Resistor)
Output Specifications	
Electrical Contact Life	To AC15 at 5A, 230V: 2.2 x 10 ⁵ switching cycles IEC/EN 60 947-5-1
Mechanical Life	20 x 10 ⁶ switching cycles
Contact Type	3 N.O. contacts + 1 N.C. contact + 1 forcibly guided feedback contact
Operate/Release Time	Operate typ at U _N : DC - 2.2 mA.; AC - 3.1mA. Release typ at U _N : 35 ms.
Nominal Output Voltage	24VDC/24VAC
Thermal Current (I_{th})	Max. 5A per contact. See quadratic total current limit curve in installation manual.
Short Circuit Strength	Max fuse rating: 6A gl (IEC/EN 60 9470-5-1); Line circuit breaker: B6A
Switching Capacity IEC/EN 60 947-5-1	AC 15: N.O. contacts: 3A/230V; N.C. contacts: 2A/230VAC DC 13: N.O. contacts: 2A/24V; N.C. contacts: 2A/24VDC; N.O. contact: 4A/24V at 0.1Hz
Switching Frequency	Max. 1,200 switching cycles/hr
Agency Approvals and Standards	cULus file E107778, CE, RoHS

To obtain the most current agency approval information, see the Agency Approval Checklist section on the specific part number's web page at [_____](#)

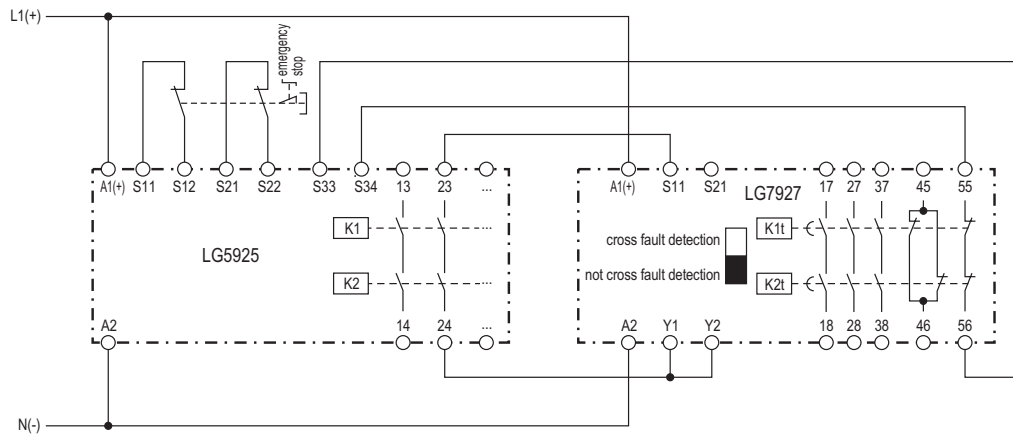


Dold LG7927/LG7928 Extension Module

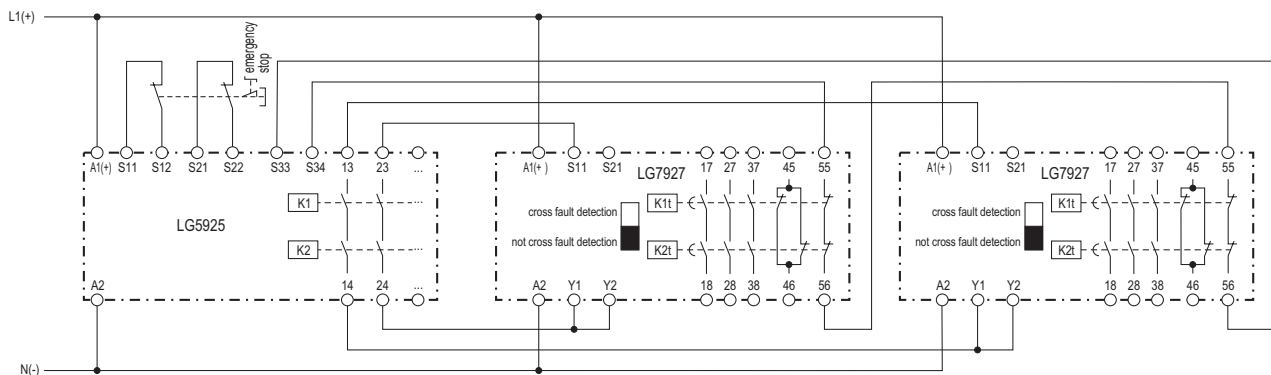
LG7927 Application Examples



LG 5925 with LG 7927, cross fault detection, suitable up to SIL2, Performance Level d, Cat. 3



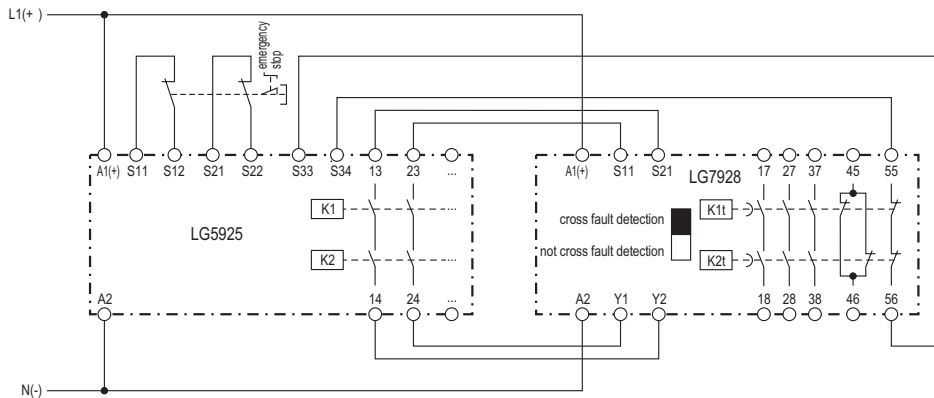
LG 5925 with LG 7927, non cross fault detection, suitable up to SIL2, Performance Level d, Cat. 3



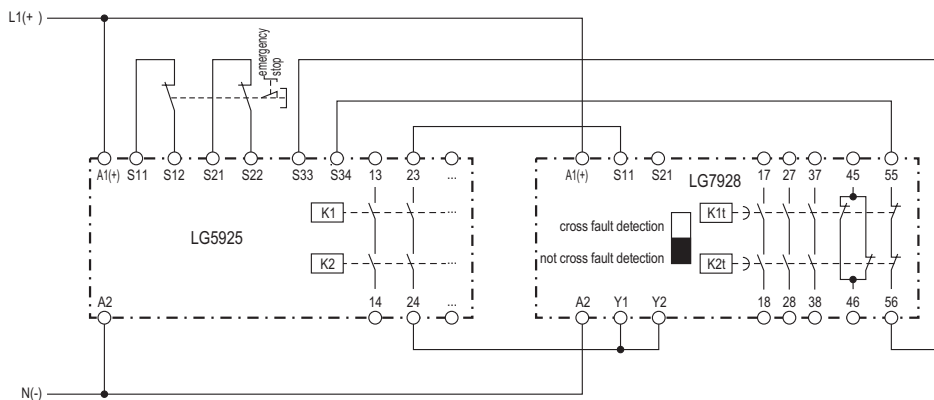
LG 5925 with two LG 7927, non cross fault detection. suitable up to SIL2. Performance Level d. Cat. 3

Dold LG7927/LG7928 Extension Module

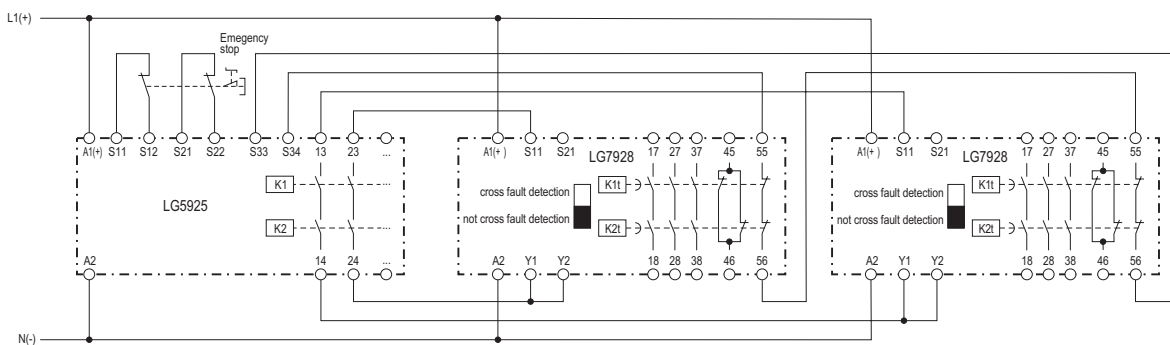
LG7928 Application Examples



LG 5925 with LG 7928, cross fault detection, suitable up to SIL2, Performance Level d, Cat. 3



LG 5925 with LG 7928, non cross fault detection, suitable up to SIL2, Performance Level d, Cat. 3



LG 5925 with 2 LG 7928, non cross fault detection, suitable up to SIL2, Performance Level d, Cat. 3

Safety Products



Warning: Safety products sold by AutomationDirect are Safety components only. The purchaser/installer is solely responsible for the application of these components and ensuring all necessary steps have been taken to assure each application and use meets all performance and applicable safety requirements and/or local, national and/or international safety codes as required by the application. AutomationDirect cannot certify that our products, used solely or in conjunction with other AutomationDirect or other vendors' products, will assure safety for any application. Any person using or applying any products sold by AutomationDirect is responsible for learning the safety requirements for their individual application and applying them, and therefore assumes all risks, and accepts full and complete responsibility, for the selection and suitability of the product for their respective application.

AutomationDirect does not provide design or consulting services, and cannot advise whether any specific application or use of our products would ensure compliance with the safety requirements for any application.