



Pocket Portal IIoT Bridge



STRIDE Pocket Portal IIoT Bridge

Features

- **Wireless Industrial IoT end-to-end solution to log your data in the cloud**
- **Faster Monitoring:** Unmonitored assets can get connected and become monitored assets in minutes
- **Remote Control:** Write to Modbus coils, registers, or 3.3–24 VDC digital outputs using the mobile app
- **Reduce Costs:** Enterprises can implement IIoT capabilities without needing technical expertise and without modifying equipment
- **Retrofit Solution:** Industrial controls, commercial buildings, retail spaces, or factories can be entirely retrofitted with IIoT capabilities in days instead of months
- **Work Smarter:** Continuously monitor and optimize asset performance



* Requires Wi-Fi Internet connection

* iOS/Android device with Bluetooth needed for provisioning

Modbus Interface	
Port Connector	4-pin pigtail connector (shared with power)
Interface Mode	RS-485
Serial Devices Supported	1 Modbus Slave
Protocols Supported	Modbus RTU Master

Local Digital and Analog I/O	
Digital Input/Output	4 Connections configured as Input/Output (3.3–24 VDC)
Analog Input	2 Analog Inputs (0–10 VDC / 4–20 mA)

Wi-Fi Interface for Cloud Connectivity	
IEEE Wi-Fi Standard	802.11 b/g/n
Speed	Up to 72.2 Mbps
Frequency Band	2.4 GHz
Antenna	Internal PCB Antenna

Power Details	
Input Voltage	12–24 VDC
Max. Input Voltage Range	10–26VDC
Power Consumption	Max 10W
Reverse Power Protection	Yes
Overload Protection	No

LED Indicators	
Wi-Fi LED	LED OFF: Wi-Fi not provisioned SLOW BLINK: Connecting to Wireless Access Point FAST BLINK: Connecting to Pocket Portal Cloud Service LED ON: Connected to Pocket Portal Cloud Service
Power LED	LED OFF – Power OFF LED ON – Power ON
BLE LED (Bluetooth Low Energy, used in initial setup only)	LED OFF – BLE off or not advertising SLOW BLINK – BLE advertising LED ON – Connected to mobile app

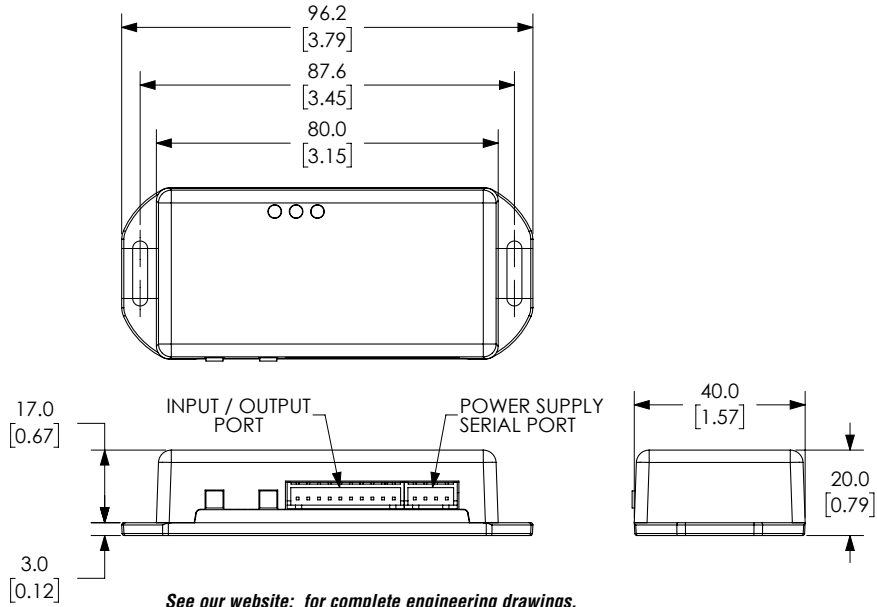
Environmental	
Operating Temperature Range	-20°C to +70°C [-4°F to 158°F]
Storage Temperature Range	-40°C to +85°C [-40°F to +185°F]
Humidity	5 to 85% RH (non-condensing)
Protection Level	plastic case, IP40
EMI	EN 55032 Class A FCC Part 15 Subpart C (15.247)
EMS	IEC61000-4-2 (ESD): ±4kV (contact), ±8kV (air discharge) IEC 61000-4-3 (RS): 10V/m (80MHz–6GHz) IEC 61000-4-6 (CS): 10V (150KHz–80MHz)
Mechanical Standards	IEC60068-2-64 (Random Vibration) IEC60068-2-32 (Drop Test / Free Fall)
Agency Approvals	CE, FCC



Pocket Portal IIoT Bridge

Dimensions

mm [inches]



DIN Rail Mounting Brackets

The Pocket Portal IIoT Bridge can be directly mounted to a flat surface, with no restrictions on mounting orientation. An optional DIN-rail adapter will allow mounting on a standard 35mm x 7.5 mm DIN rail.

DIN Rail Mounting Brackets		
Part Number	Price	Description
DRA-2B		35mm DIN rail adapters, 1.70"x0.45"x0.83" [43.7x11.4x21.0 mm], 2pcs/pkg.



NOTE: INSTALLATION IN A METAL CABINET IS NOT RECOMMENDED, AS THE CABINET MAY BLOCK THE WI-FI SIGNAL.

Data Subscriptions

Each Pocket Portal IIoT Bridge requires a Pocket Portal monthly data subscription. Subscriptions are available at <https://www.pocketportal.com>.

Pocket Portal Platform Subscriptions		
	SE-PP5M	SE-PP500K
Price	/mo.*	/mo.*
Description	Data Logging and Notify Gold Subscription	Data Logging and Notify Silver Subscription
Subscription Duration	Monthly or Annual Up to 23% discounts available for annual subscriptions.	
Supports	(1) STRIDE Pocket Portal IIoT bridge	

* Available for purchase only on the STRIDE Pocket Portal platform at <https://www.pocketportal.com>. Details and limits for each subscription are available on the Pocket Portal platform.

