

StrideLinx Remote Access Solution

Cellular Antennas for SE-SL3011-4G and SE-SL3011-4GG Routers



STRIDE whip/tilt LTE antenna, connector mount.



STRIDE whip/straight LTE antenna, magnetic base mount, 9.8ft/3m cable length.



STRIDE dome LTE antenna, IP67, panel mount, 9.8ft/3m cable length.

4G LTE Antenna Specifications			
	SE-ANT110	SE-ANT130*	SE-ANT150
Price			
Fits	SE-SL3011-4G and SE-SL3011-4GG		
Antenna Connector	SMA (M)		
Application	LTE, CDMA, GSM, HSPA, UMTS, GPRS		
Impedance	50Ω		
Antenna Type	whip, tilt	whip, straight	dome
Cable Length	N/A	3m [9.8 ft]	3m [9.8 ft]
Frequency Range	700–960MHz / 1.71–3.8 GHz	700–960MHz / 1.71–3.5 GHz	700–960MHz / 1.71–2.7 GHz
Gain	-3.0 dBi / 0.9 dBi	-2.5dBi / 0.1dBi	1.2 dBi / 3.2 dBi
Height	2.84 in	13 in	1.89 in
IP Rating	–	–	IP67
Maximum Power	10W	50W	5W
Mounting Screw Torque	NA	NA	2.94 N-m

* Gains listed are based on the antenna being mounted on a suitable ground plane.

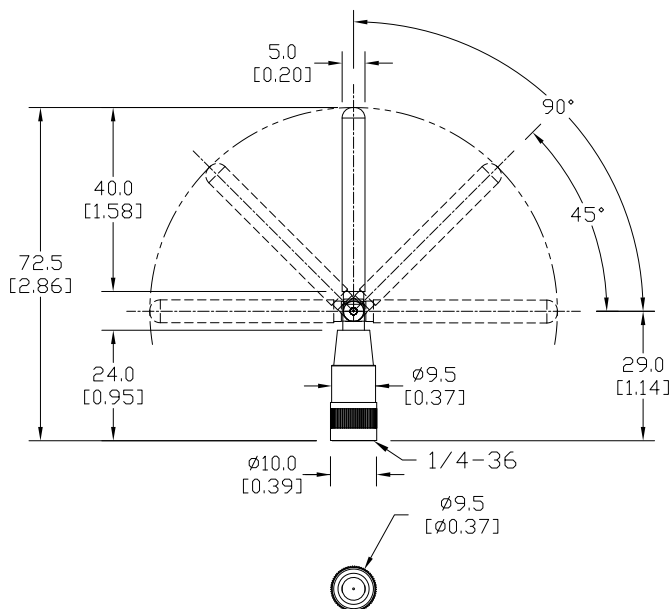
StrideLinx Remote Access Solution

Cellular Antennas for SE-SL3011-4G and SE-SL3011-4GG Routers

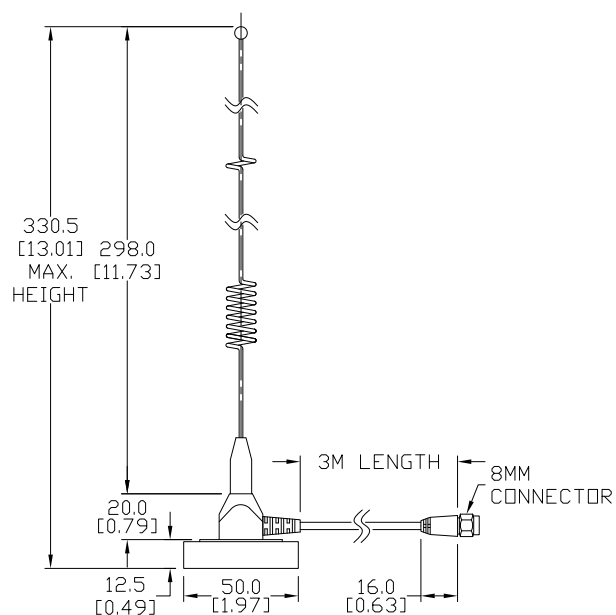
Dimensions

mm [inches]

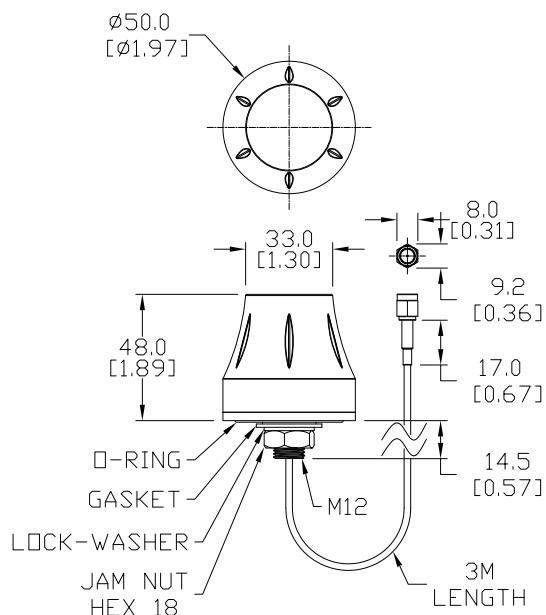
SE-ANT110:



SE-ANT130:



SE-ANT150:



See our website: for complete engineering drawings.