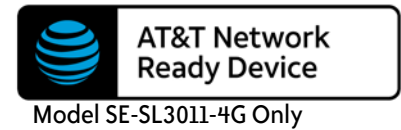


# StrideLinx Remote Access Solution

## SE-SL Series Industrial VPN Routers



RoHS Compliant



T-Mobile compatible with both LTE routers

StrideLinx Industrial VPN Router Models				
Part Number	Price	Gigabit Ethernet	WiFi	4G LTE (2)
SE-SL3001 (1)		✓		
SE-SL3011		✓		
SE-SL3011-WF		✓	✓	
SE-SL3011-4G		✓		✓ (AT&T)
SE-SL3011-4GG		✓		✓ (Global)

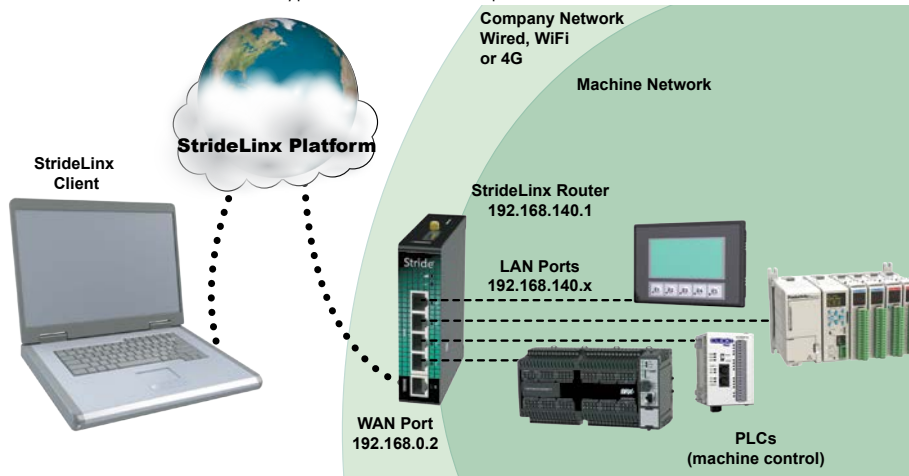
(1) SE-SL3001 does not support data logging or notifications.

(2) SIM card and data plan compatible with the frequencies and bands supported by the device and identified in the spec table are required for 4G LTE operation from the carrier. An M2M SIM card is configured with an amount of data and a duration of validity at the time of purchase.

Antennas required for WiFi and 4G models and must remain connected during operation.

**WARNING: DO NOT insert or remove the SIM card when power is applied to the router.**

The StrideLinx Platform is a secure and powerful VPN platform based on a worldwide network of servers. It is focused on delivering and enhancing innovative remote service. A typical StrideLinx setup is illustrated as follows.



### Key features

- Gigabit port speed
- Wired, WiFi, or 4G LTE WAN connectivity
- Easy, secure VPN networking
- Available Notification and Data Logging service
- Available Service Level Agreement (SLA)

4G LTE Router Options		
Features	SE-SL3011-4G	SE-SL3011-4GG
Verizon*	No	Yes – Certified
AT&T	Yes – Certified	Yes – Tested
T-Mobile	Yes – Tested	Yes – Tested
International Frequency Bands	No	Yes, but not tested with carriers

\* Requires router firmware version 3.20 or later.

Please visit the [StrideLinx](http://StrideLinx) page at [AutomationDirect.com](http://AutomationDirect.com) for an overview of the StrideLinx Remote Access Solution.



# Remote Access Solution

## SE-SL Series Industrial VPN Routers

Power Details	
<b>Input Voltage</b>	Class 2 LPS Power Supply, 12-24 VDC
<b>Maximum Input Power</b>	10W
<b>Maximum Input Current</b>	2A
<b>Internal Voltage Protection</b>	29V max
<b>Reverse Polarity Protection</b>	Yes
<b>Isolation</b>	1.5 kV

General Specifications	
<b>USB</b>	USB 2.0 (for configuration only)
<b>Processor</b>	MIPS 800MHz
<b>Digital Input for Local Control</b>	Yes
<b>Operating Temperature Range</b>	-20°C to +65°C [-4°F to +149°F]
<b>Storage Temperature Range</b>	-20°C to +65°C [-4°F to +149°F]
<b>Relative Humidity</b>	10 to 95% non-condensing
<b>Operating Altitude</b>	Up to maximum 2000m
<b>Storage Altitude</b>	Up to maximum 3000m
<b>Environmental Air</b>	For use in Pollution Degree 2 Environment. No corrosive gases permitted.
<b>EMI</b>	FCC CFR47 Part 15, EN55022/CISPR22, Class B
<b>EMS</b>	IEC61000-4-2 (ESD): ± 8kV (contact), ± 15kV (air) IEC61000-4-3 (RS): 10V/m (80MHz – 2GHz) IEC61000-4-4 (EFT): Power Port ± 4kV; Data Port: ± 2kV IEC61000-4-5 (Surge): Power Port: ± 2kV/DM, ± 4kV/ CM; Data Port ± 2kV IEC61000-4-6 (CS): 10V (150kHz – 80MHz)
<b>RoHS and WEEE</b>	RoHS (Pb free) and WEEE compliant
<b>Packaging and Protection</b>	Metal case, IP20
<b>Mounting</b>	DIN rail
<b>Weight</b>	270–310 gram
<b>Certification</b>	CE, cULus, RoHS, REACH, AT&T (SE-SL3011-4G), FCC
<b>Warranty</b>	2 years
<b>Agency Approvals</b>	UL/cUL 60950-1, CE

WiFi Specifications (P/N SE-SL3011-WF Only)	
<b>WiFi IEEE 802.11 Version</b>	b/g/n
<b>WiFi Modes</b>	Station (Client) Mode and Access Point
<b>Speed</b>	72 Mbps
<b>Antenna Connection</b>	RP-SMA plug (male)
<b>Antenna Connector Torque</b>	3–5 lb-in [0.3–0.6 N-m]
<b>FCC ID</b>	XPLYLILYW1

Ethernet Interface	
<b>Ethernet ports</b>	Five GbE (4x LAN, 1x WAN)
<b>Port Type</b>	Shielded RJ45
<b>Auto-Crossover</b>	Yes, allows you to use straight-through or crossover wired cables
<b>Auto-Sensing Operation</b>	Yes, full and half duplex
<b>Auto-Negotiating Speed</b>	Yes
<b>Flow Control</b>	Automatic
<b>Operating Mode</b>	Store and forward wire speed switching, non-blocking
<b>Devices Supported</b>	All IEEE 802.3 compliant devices are supported
<b>Protection</b>	Built-in 1.5 kV magnetic isolation
<b>Cable Requirements</b>	Twisted pair (Cat5e or better) (shielded recommended)
<b>Max. Cable Distance</b>	100 meters

4G LTE Specifications (P/N SE-SL3011-4G Only)	
<b>Protocols and Frequencies (AT&amp;T)</b>	LTE-FDD - B2, B4, B12 WCDMA - B2, B4, B5
<b>Speed</b>	LTE-FDD - Max. 100 Mbps (DL)/Max. 50 Mbps (UL) WCDMA - Max. 384 kbps (DL)/Max. 384 kbps (UL)
<b>Antenna Connection</b>	Two (2) SMA plugs (male)
<b>Antenna Connector Torque</b>	3–5 lb-in [0.3–0.6 N-m]
<b>SIM size</b>	Standard SIM (2FF)
<b>FCC ID</b>	XMR201605EC25A

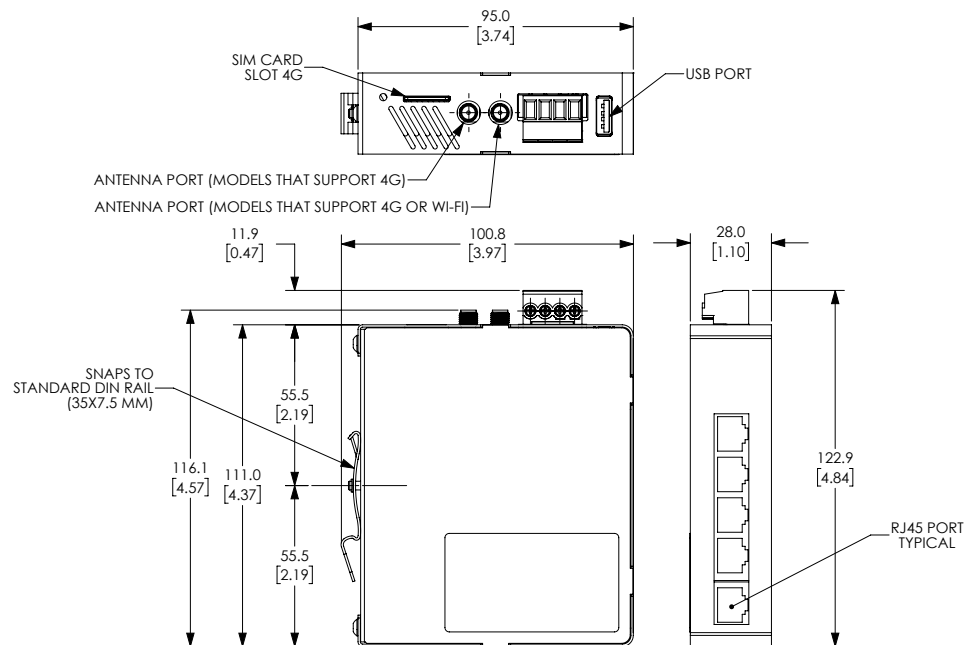
4G LTE Specifications (P/N SE-SL3011-4GG Only)	
<b>Protocols and Frequencies (Global)</b>	LTE FDD: B1,B2,B3,B4,B5,B7,B8,B12,B13,B18,B19,B20,B25,B26,B28 LTE TDD: B38,B39,B40,B41 WCDMA: B1,B2,B4,B5,B6,B8,B19 GSM: B2,B3,B5,B8 GPRS: B2,B3,B5,B8
<b>Speed</b>	LTE-FDD: Max. 150 Mbps (DL)/Max. 50 Mbps (UL) LTE-TDD: Max. 130 Mbps (DL)/Max. 30 Mbps (UL) WCDMA: Max. 384 kbps (DL)/Max. 384 kbps (UL) GSM (EDGE): Max. 296 kbps (DL)/Max. 236.8 kbps (UL) GPRS: Max 107 kbps (DL)/Max. 85.6 kbps (UL)
<b>Antenna Connection</b>	Two (2) SMA plugs (male)
<b>Antenna Connector Torque</b>	3–5 lb-in [0.3–0.6 N-m]
<b>SIM size</b>	Standard SIM (2FF)
<b>FCC ID</b>	XMR201903EG25G

# StrideLinx Remote Access Solution

## SE-SL Series Industrial VPN Routers

### Dimensions

mm [inches]



See our website: for complete engineering drawings.

# StrideLinx Remote Access Solution

## Cellular Antennas for SE-SL3011-4G and SE-SL3011-4GG Routers



STRIDE whip/tilt LTE antenna, connector mount.



STRIDE whip/straight LTE antenna, magnetic base mount, 9.8ft/3m cable length.



STRIDE dome LTE antenna, IP67, panel mount, 9.8ft/3m cable length.

4G LTE Antenna Specifications			
	<i>SE-ANT110</i>	<i>SE-ANT130*</i>	<i>SE-ANT150</i>
<b>Price</b>			
<b>Fits</b>	SE-SL3011-4G and SE-SL3011-4GG		
<b>Antenna Connector</b>	SMA (M)		
<b>Application</b>	LTE, CDMA, GSM, HSPA, UMTS, GPRS		
<b>Impedance</b>	50Ω		
<b>Antenna Type</b>	whip, tilt	whip, straight	dome
<b>Cable Length</b>	N/A	3m [9.8 ft]	3m [9.8 ft]
<b>Frequency Range</b>	700–960MHz / 1.71–3.8 GHz	700–960MHz / 1.71–3.5 GHz	700–960MHz / 1.71–2.7 GHz
<b>Gain</b>	-3.0 dBi / 0.9 dBi	-2.5dBi / 0.1dBi	1.2 dBi / 3.2 dBi
<b>Height</b>	2.84 in	13 in	1.89 in
<b>IP Rating</b>	–	–	IP67
<b>Maximum Power</b>	10W	50W	5W
<b>Mounting Screw Torque</b>	NA	NA	2.94 N-m

\* Gains listed are based on the antenna being mounted on a suitable ground plane.

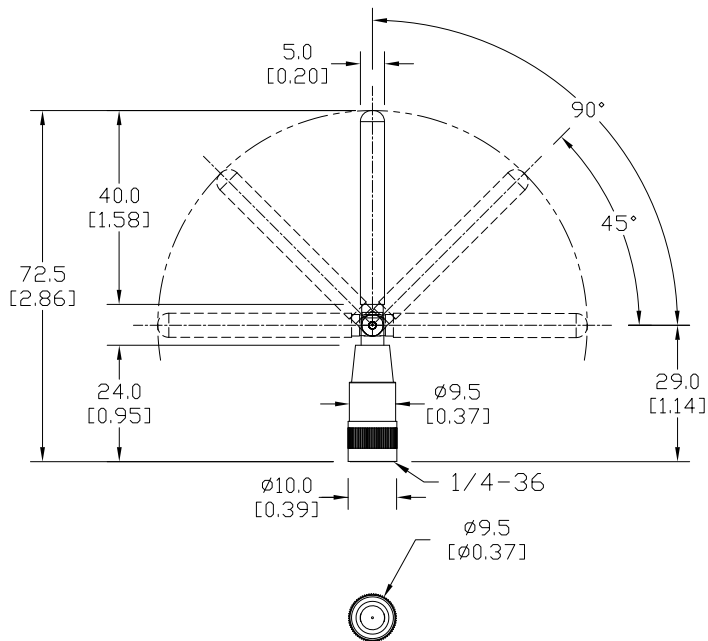
# StrideLinx Remote Access Solution

## Cellular Antennas for SE-SL3011-4G and SE-SL3011-4GG Routers

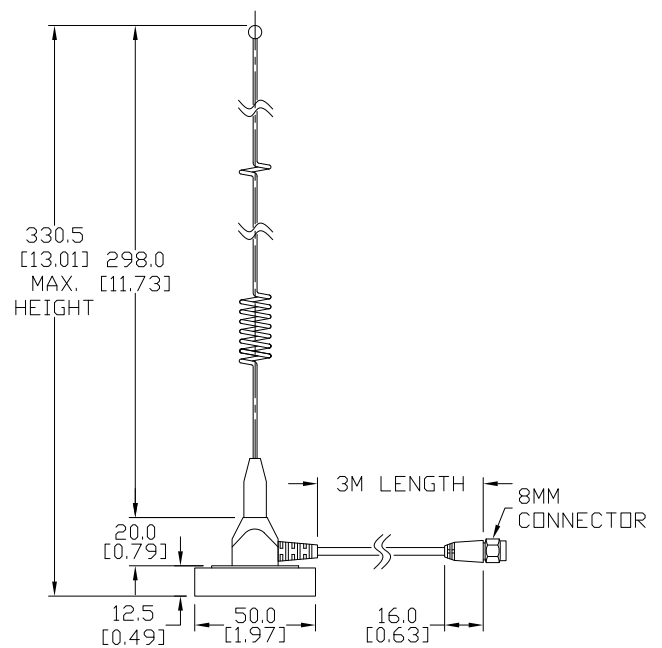
### Dimensions

mm [inches]

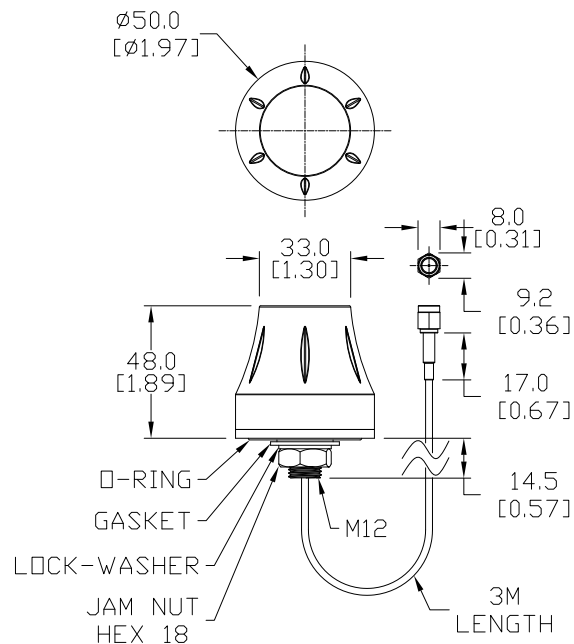
#### SE-ANT110:



#### SE-ANT130:



#### SE-ANT150:



See our website: for complete engineering drawings.

# StrideLinx Remote Access Solution

## 2.4GHz WiFi Antennas for SE-SL3011-WF Routers (1 antenna required)



STRIDE whip/straight 2.4 GHz WiFi antenna, IP65, connector mount.



STRIDE dome 2.4 GHz WiFi antenna, IP67, panel mount, 9.8ft/3m cable length.

802.11 b/g/n 2.4 GHz WiFi Antenna Specifications		
	<i>SE-ANT210</i>	<i>SE-ANT250</i>
<b>Price</b>		
<b>Fits</b>	SE-SL3011-WF	
<b>Antenna Connector</b>	RP-SMA (M)	
<b>Application</b>	802.11 b/g/n	
<b>Impedance</b>	50Ω	
<b>Antenna Type</b>	whip, straight	dome
<b>Cable Length</b>	N/A	3m [9.8 ft]
<b>Frequency Range</b>	2.4–2.5 GHz	2.4–2.5 GHz
<b>Gain</b>	1.8 dBi	1.5 dBi
<b>Height</b>	1.2 in	1.89 in
<b>IP Rating</b>	IP65	IP67
<b>Maximum Power</b>	1W	5W
<b>Mounting Screw Torque</b>	NA	2.94 N·m

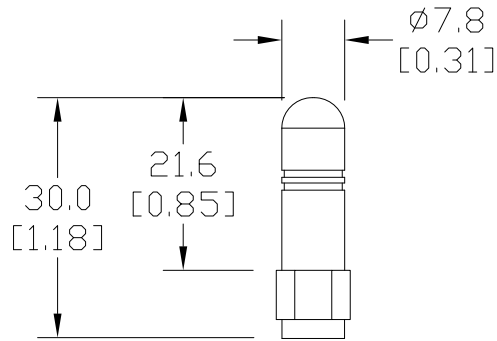
# StrideLinx Remote Access Solution

## 2.4GHz WiFi Antennas for SE-SL3011-WF Routers

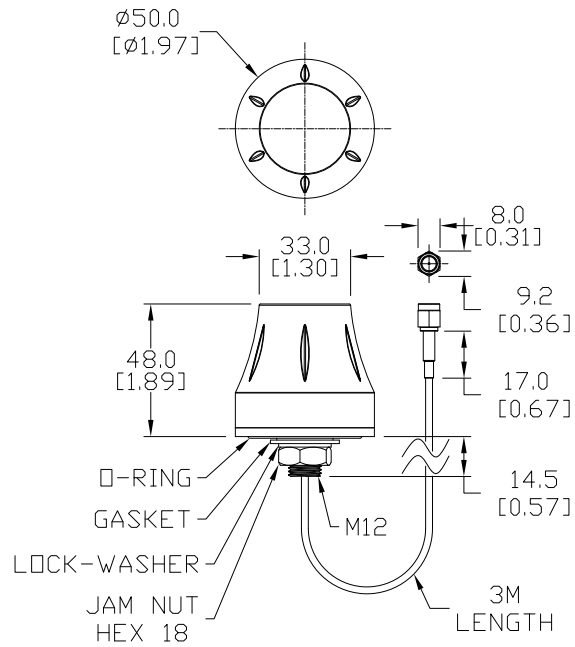
### Dimensions

mm [inches]

#### SE-ANT210:



#### SE-ANT250:



See our website: for complete engineering drawings.

# StrideLinX Remote Access Solution

## Add-on Services – Add value to Remote Access

These licenses provide added services to your StrideLinX remote access. These are not needed for the basic function of the VPN remote access, but can be added to enhance the value of the platform to you and your customers.

Cloud Logging licenses also include: unlimited cloud storage for up to 7 years with active license, unlimited real time and user configurable dashboards, unlimited data reports, and unlimited data tags.

StrideLinX Cloud Logging Options					
	License Duration				
Data Logging Points/hour	1 month	1 year (1 month savings)	2 years (4 months savings)	3 years (9 months savings)	5 years (20 months savings)
1,000	SE-SL010	SE-SL010-1	SE-SL010-2	SE-SL010-3	SE-SL010-5
5,000	SE-SL011	SE-SL011-1	SE-SL011-2	SE-SL011-3	0.00 SE-SL011-5
20,000	SE-SL012	SE-SL012-1	0.00 SE-SL012-2	0.00 SE-SL012-3	0.00 SE-SL012-5
50,000	SE-SL013	0.00 SE-SL013-1	0.00 SE-SL013-2	0.00 SE-SL013-3	0.00 SE-SL013-5
100,000	SE-SL014	0.00 SE-SL014-1	0.00 SE-SL014-2	0.00 SE-SL014-3	0.00 SE-SL014-5
250,000	SE-SL015	5.00 SE-SL015-1	0.00 SE-SL015-2	5.00 SE-SL015-3	0.00 SE-SL015-5



\* Before purchasing a Cloud Logging activation code, a 30-day free trail may be activated in your StrideLinX account from Fleet Manager.



**WARNING:** Data collected through data logging is only stored for as long as you maintain your paid license. ALL data will be lost if your license lapses. Data for a specific device will be lost if a license is removed from that device. Data is also only stored for a maximum of 7 years. If data older than 7 years is important, please archive your data locally before the 7-year limit is reached.

StrideLinX Extra Monthly Data Usage Options					
	License Duration				
Extra Data Usage/Month	1 month	1 year (1 month savings)	2 years (4 months savings)	3 years (9 months savings)	5 years (20 months savings)
5 GB	SE-SL030	SE-SL030-1	SE-SL030-2	SE-SL030-3	0.00 SE-SL030-5
15 GB	SE-SL031	5.00 SE-SL031-1	0.00 SE-SL031-2	5.00 SE-SL031-3	0.00 SE-SL031-5
50 GB	SE-SL032	0.00 SE-SL032-1	0.00 SE-SL032-2	0.00 SE-SL032-3	0.00 SE-SL032-5

StrideLinX Add-on Licenses				
Part #	Price	Term	Description	Features
SE-SL001		Valid for 1 month	Service Level Agreement	99.6% availability, 4-hour max consecutive downtime. For use with one StrideLinX company.
SE-SL020		Valid for router lifetime	Cloud Notify License	Includes alarm, trigger, recipient, and priority management with push and email notifications. For use with one StrideLinX router.*
SE-SL040	0.00	Valid for company lifetime	Premium Branding License	Includes white label StrideLinX platform with custom company domain and custom router faceplate graphics. For use with one StrideLinX company.
SE-SL050	0.00	Valid for one-time use	Mobile App Branding Setup License	Includes white label StrideLinX iOS/Android mobile app with your own corporate identity and under your company name. Requires SE-SL051 for 1st year.
SE-SL051		Valid for 1 year	Mobile App Branding License	Includes sustained service of white label StrideLinX iOS/Android mobile app with your own corporate identity and under you company name.



\* Before purchasing a Cloud Notify activation code, a 30-day free trail may be activated in your StrideLinX account from Fleet Manager.