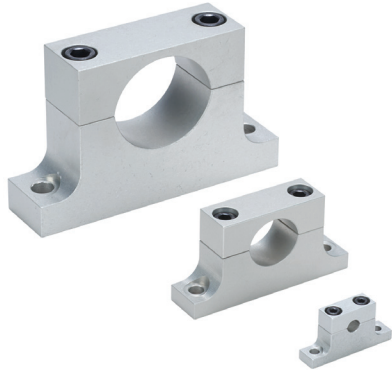


## Low Profile - Aluminum



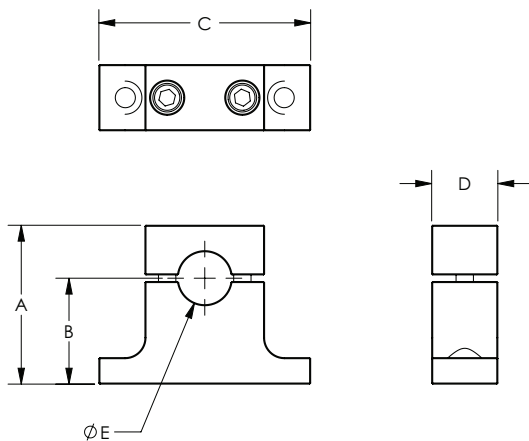
### Features

- Removable top design allows easy removal of shaft
- Maintains alignment while servicing shafts and bearings
- Lowest base to shaft height available
- Parallel and perpendicular surfaces for easy alignment
- Material: Aluminum - 6061 T6 Gray, Hard Anodized
- Fasteners: Alloy Steel, Black Oxide
- Superior shaft holding strength



Low Profile Aluminum Shaft Supports									
Part Number	Measurement	ØE	A	B	C	D	HSCS Screw Size	Price	Weight (lb)
TMSSL-04	inches	0.250	0.87	0.562	1.63	0.38	#6		0.04
TMSSL-06		0.375	1.00	0.625	1.75	0.38			
TMSSL-08		0.500	1.19	0.750	2.00	0.50	#8		0.07
TMSSL-10		0.625	1.44	0.938	2.63	0.50	#10		0.11
TMSSL-12		0.750	1.56	1.000	2.75	0.50			0.12
TMSSL-16		1.000	1.94	1.250	3.19	0.75	1/4		0.27
TMSSL-20		1.250	2.31	1.500	3.75	0.75	5/16		0.37
TMSSL-24		1.500	2.69	1.750	4.00	0.75			0.45
TMSSL-32		2.000	3.31	2.125	5.00	1.25	3/8		1.11
TMSSL-08M		mm	8.0	21.0	12.0	44.0	10.0		M4
TMSSL-10M	10.0		25.0	14.0	46.0	12.0	0.05		
TMSSL-12M	12.0		25.0	14.0	48.0	12.0	0.05		
TMSSL-16M	16.0		31.0	18.0	62.0	13.0	M5	0.10	
TMSSL-20M	20.0		36.0	22.0	65.0	13.0		0.12	
TMSSL-25M	25.0		44.0	27.0	80.0	16.0	M6	0.20	
TMSSL-30M	30.0		52.0	32.0	96.0	20.0	M8	0.35	
TMSSL-35M	35.0		60.0	34.0	100.0	20.0		0.41	
TMSSL-40M	40.0		66.0	40.0	108.0	22.0		0.53	
TMSSL-50M	50.0		75.0	45.0	120.0	22.0		0.66	

### Dimensions



Standard Steel Bolt/Screw Torque Specifications				
Bolt/Screw			Torque*	
Size	Pitch	Type	lb-in	lb-ft
6	32	Low Carbon Steel	8.7	-
8	32		17.8	
10	24		20.8	
1/4	20	SAE Grade 5 Med. Carbon Steel	-	10
5/16	18		-	19
3/8	16		-	33
7/16	14		-	54
1/2	13		-	78

\* It is recommended to use 50% of listed torque when using steel threads into aluminum material.

Metric Steel Bolt/Screw Torque Specifications				
Bolt/Screw			Torque*	
Size	Pitch	Type	N-m	
M3	0.5	Standard 5D Med. Carbon Steel	0.6	
M4	0.7		1.5	
M5	0.8		3.0	
M6	1.0		5.2	
M8	1.25		12.5	
M10	1.50		24.0	

\* It is recommended to use 50% of listed torque when using steel threads into aluminum material.

See our website [www.suremotion.com](#) for complete Engineering drawings.