

Standard Profile - Aluminum



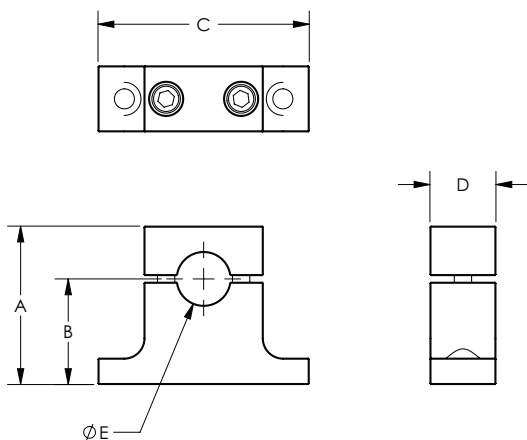
Features

- Removable top design allows easy removal of shaft
- Maintains alignment while servicing shafts and bearings
- Parallel and perpendicular surfaces for easy alignment
- Material: Aluminum - 6061 T6 Black, Hard Anodized
- Fasteners: Alloy Steel, Black Oxide
- Superior shaft holding strength
- Interchangeable with industry standard supports



Standard Profile Aluminum Shaft Supports									
Part Number	Measurement	ØE	A	B	C	D	HSCS Screw Size	Price	Weight (lb)
TMSS-04	inches	0.250	1.00	0.687	1.50	0.50	#6		0.05
TMSS-06		0.375	1.13	0.750	1.63	0.56			
TMSS-08		0.500	1.50	1.000	2.00	0.63	#8		
TMSS-10		0.625	1.50	1.000	2.50	0.69	#10		
TMSS-12		0.750	1.81	1.250	2.75	0.75			
TMSS-16		1.000	2.19	1.500	3.25	1.00	1/4		
TMSS-20		1.250	2.63	1.750	4.00	1.13	5/16		
TMSS-24		1.500	3.00	2.000	4.75	1.25			
TMSS-32		2.000	3.75	2.500	6.00	1.50	3/8		
TMSS-08M		mm	8.0	23.0	15.0	32.0	10.0		M2.5
TMSS-12M	12.0		30.0	20.0	40.0	12.0	M3	0.05	
TMSS-16M	16.0		38.0	25.0	50.0	16.0	M4	0.11	
TMSS-20M	20.0		45.0	30.0	60.0	20.0	M5	0.19	
TMSS-25M	25.0		55.0	35.0	74.0	25.0	M6	0.35	
TMSS-30M	30.0		63.0	40.0	84.0	28.0	M8	0.50	
TMSS-40M	40.0		80.0	50.0	108.0	32.0	M10	0.92	

Dimensions



Standard Steel Bolt/Screw Torque Specifications				
Bolt/Screw			Torque*	
Size	Pitch	Type	lb-in	lb-ft
6	32	Low Carbon Steel	8.7	-
8	32		17.8	
10	24		20.8	
1/4	20	SAE Grade 5 Med. Carbon Steel	-	10
5/16	18		-	19
3/8	16		-	33
7/16	14		-	54
1/2	13		-	78

* It is recommended to use 50% of listed torque when using steel threads into aluminum material.

Metric Steel Bolt/Screw Torque Specifications				
Bolt/Screw			Torque*	
Size	Pitch	Type	N-m	
M3	0.5	Standard 5D Med. Carbon Steel	0.6	
M4	0.7		1.5	
M5	0.8		3.0	
M6	1.0		5.2	
M8	1.25		12.5	
M10	1.50		24.0	

* It is recommended to use 50% of listed torque when using steel threads into aluminum material.

See our website [www.suremotion.com](#) for complete Engineering drawings.