

# Stride SE2 Series Unmanaged Industrial Ethernet Switches

SE2 Series IP65 Rated



## Features

- Rugged IP65 rating
- Tight M12 connections
- Wide temp range
- Panel mount
- 12, 24, 48 VDC and 18-30 VAC redundant input
- Complies with EN50155 and EN50121 industrial standards
- 5-year warranty



Stride SE2 Series IP65 Rated Models

Part Number	Price	M12, IP65 10/100 ports	Input power (max.)	Operating Temp	Agency Approvals
SE2-SW5U-N65-T		5	4.6 W	-40 to +75°C (-40 to +167°F)	UL/cUL 61010-1, UL/cUL 6010-2-201 CE, EN50155, EN50121
SE2-SW8U-N65-T		8			

# Stride SE2 Series Unmanaged Industrial Ethernet Switches

## SE2 Series IP65 Rated

General Specifications	
<b>Operating Mode</b>	Store and forward wire speed switching, non-blocking
<b>Devices Supported</b>	All IEEE 802.3 compliant devices are supported
<b>MAC Addresses</b>	2K
<b>Packet Buffer</b>	1Mbit
<b>Packet Forwarding Rate</b>	1.2 Mpps
<b>Latency</b>	< 10 $\mu$ s
<b>Storage Temperature Range</b>	-40 to +85 °C (-40 to +185 °F)
<b>Humidity (non-condensing)</b>	5 to 95% RH
<b>Pollution Degree</b>	2
<b>Vibration and Shock</b>	IEC60068-2-6, -27, -32
<b>Freefall</b>	IEC60068-2-32
<b>Safety</b>	EN60950-1
<b>EMI Emissions</b>	FCC CFR47 Part 15, EN55032/CISPR32, Class A
<b>EMS</b>	IEC61000-4-2 (ESD): $\pm$ 6kV (contact), $\pm$ 8kV (air) IEC61000-4-3 (RS): 20V/m (80MHz ~ 2 GHz) IEC61000-4-4 (EFT): Power Port $\pm$ 2kV; Data Port: $\pm$ 2kV IEC61000-4-5 (Surge): Power Port: $\pm$ 1kV/DM, $\pm$ 2kV/CM IEC61000-4-6 (CS): 10V (150 kHz ~ 80 MHz) IEC61000-4-8 (Power frequency magnetic field): 50 Hz 100A/m IEC61000-4-9 (Pulsed magnetic field): 300A/m IEC61000-4-29 (Voltage short interruptions): 10ms 100%
<b>RoHS and WEEE</b>	RoHS (Pb free) and WEEE compliant
<b>Packaging and Protection</b>	Metal case, IP65
<b>Agency Approvals</b>	UL/cUL 61010-1 UL/cUL 61010-2-201, (UL file #E157382), CE, EN50155, EN50121

M12 Ports	
<b>10/100BaseT ports</b>	M12, female, D-coding, 4-pin
<b>Ethernet Compliance</b>	IEEE 802.3i, 802.3u, 802.3x
<b>Auto-Crossover</b>	Yes, allows you to use straight-through or crossover wired cables
<b>Auto-Sensing Operation</b>	Yes, full and half duplex
<b>Auto-Negotiating Speed</b>	Yes
<b>Flow Control</b>	Automatic
<b>Cable Requirements</b>	Twisted pair (Cat5 or better) (shielded recommended)
<b>Max. Cable Distance</b>	100 meters
<b>*Note-M12 caps (ZP-JBH-CAP) need to be used on open (disconnect) ports.</b>	

Front Panel LEDs		
LED	State	Description
<b>Power 1 LED</b>	<b>On</b>	Power 1 connected and operational
	<b>Off</b>	Power 1 no voltage
<b>Power 2 LED</b>	<b>On</b>	Power 2 connected and operational
	<b>Off</b>	Power 2 no voltage
<b>Ethernet Port Connection Status LED</b>	<b>On</b>	Ethernet port connected
	<b>Blinking</b>	Ethernet port active
	<b>Off</b>	Ethernet port no connection

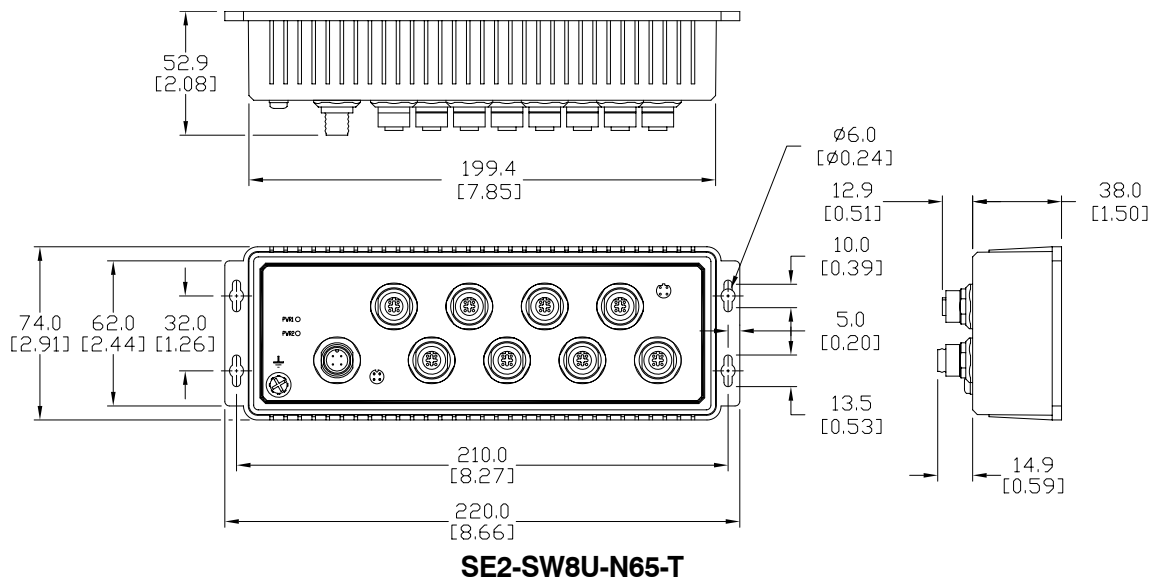
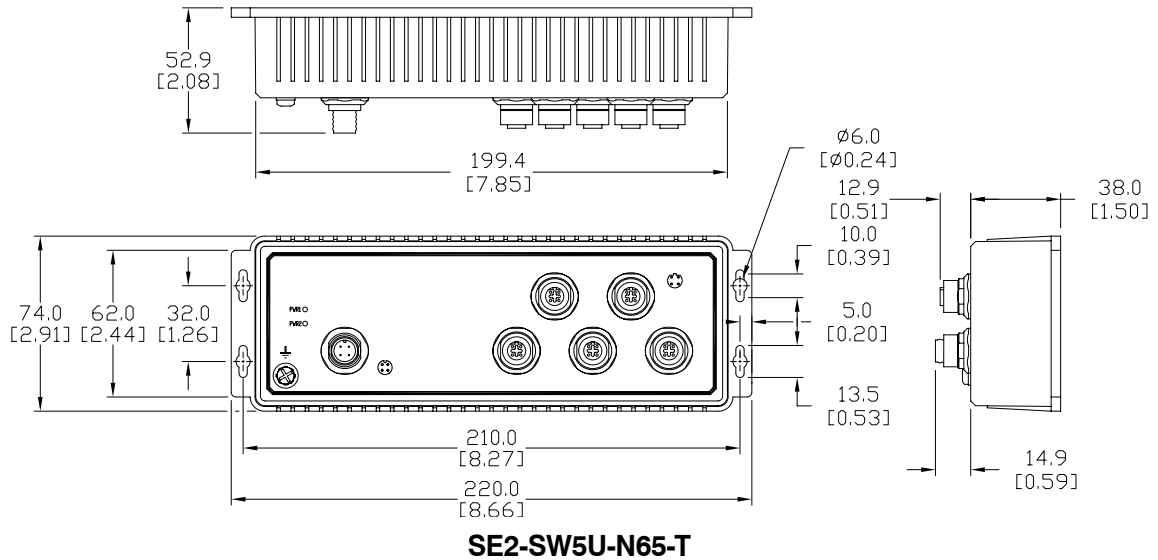
Power Details	
<b>Power Input</b>	Redundant Input M12 connector
<b>Input Voltage</b>	Class 2 Power Supply: 12-48 VDC, 18-30VAC 50/60 Hz
<b>Power Input Ports</b>	M12, male, A-coding, 4-pin
<b>Reverse Power Protection</b>	Yes

# Stride SE2 Series Unmanaged Industrial Ethernet Switches

SE2 Series IP65 Rated

Dimensions

mm [Inches]



See our website: for complete engineering drawings.

# Stride<sup>®</sup> Unmanaged Industrial Ethernet Switches

## Unmanaged Switches offer:

- Reliable connectivity
- Industrially hardened
- Simple installation

For detailed specifications on all models, see following pages



		SE Series	SE2 Series DIN Rail	SE2 Series IP65
<b>Price</b>				
		starting at \$97	starting at \$78	starting at \$327
<b>Broadcast Storm Protection</b>				
		—	✓	—
<b>Industrial Temperature Ranges</b>				
	<i>Standard Temp</i>	-10 to +60°C	-10 to +60°C	—
	<i>Wide Temp</i>	-40 to +85°C	-40 to +75°C	-40 to +75°C
<b>Port Connectivity</b>				
	<i>Port Count</i>	2 to 9	2 to 18	5, 8
	<i>RJ45 Port Speed</i>	up to 100 Mbps	up to 1000 Mbps	—
	<i>M12 Port Speed</i>	—	—	up to 100 Mbps
	<i>Fiber Optic Ports</i>	✓	✓	—
	<i>PoE+ Ports</i>	—	✓	—
	<i>SFP Ports</i>	—	✓	—
<b>Mounting</b>				
	<i>DIN Rail Mount</i>	✓	✓	—
	<i>Panel Mount</i>	✓	✓	✓
<b>Input Power</b>				
	<i>Redundant Power Inputs</i>	✓	✓	✓
	<i>Reverse Polarity Protection</i>	✓	✓	✓
	<i>Power LED</i>	✓	✓	✓
<b>Agency Approvals</b>				
	<i>UL508 or UL61010</i>	✓	✓	✓
	<i>Haz Loc-Class 1 Div 2</i>	✓	✓	—
	<i>IECEX</i>	✓	—	—
	<i>ATEX Zone 2</i>	✓	—	—
	<i>CE</i>	✓	✓	✓
	<i>EN50155 &amp; EN50121</i>	—	—	✓
<b>Warranty</b>				
		5 years	5 years	5 years
<b>Activity, Link &amp; Speed LEDs</b>				
		✓	✓	✓