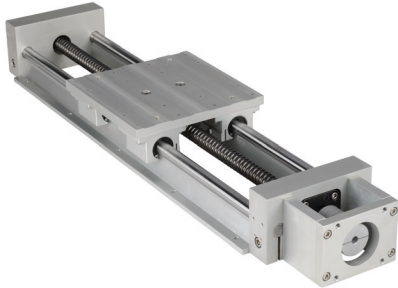


## Twin Round Shaft Slide Actuators



**LARSD2-08T12BP2C**

### Description

Continuously-supported round rail slide with ball screw actuation provides a very robust precision linear motion. Units are complete except for a drive motor.

### Features

- High-accuracy ball screw
- Continuously-supported guide rails
- Replacement components available
- Ready for NEMA 23 motor
- AISI 1566 Carbon Steel, 60 RC Round Shafts
- AISI 1045 Carbon Steel , 56 RC Ball Screw

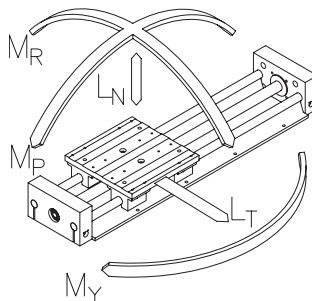
### Applications

- Positioning systems
- Heavy loads

Twin Round Shaft Slide Actuator Specifications									
Part Number	Price	Drive Type	Drive Pitch	Drive Screw Efficiency (%)	Payload Inertia Factor (in <sup>2</sup> )	Constant System Inertia (lbm-in <sup>2</sup> )	Travel	Weight (lb)	Fits Motor
<a href="#">LARSD2-08T12BP2C</a>	4.00	Ball screw	0.2 in	83	0.001	0.11	12in	10.5	NEMA 23
<a href="#">LARSD2-08T24BP2C</a>	5.00					0.16	24in	14.0	

### System Inertia Calculation:

- To calculate the inertia reflected to the motor in a particular actuator, multiply the carriage payload by the payload inertia factor and then add the constant system inertia value for that actuator. The constant system inertia value for each system includes the inertia of the shaft coupler, carriage, and lead/ball screw.
- The payload must be in units of lb<sub>m</sub>.

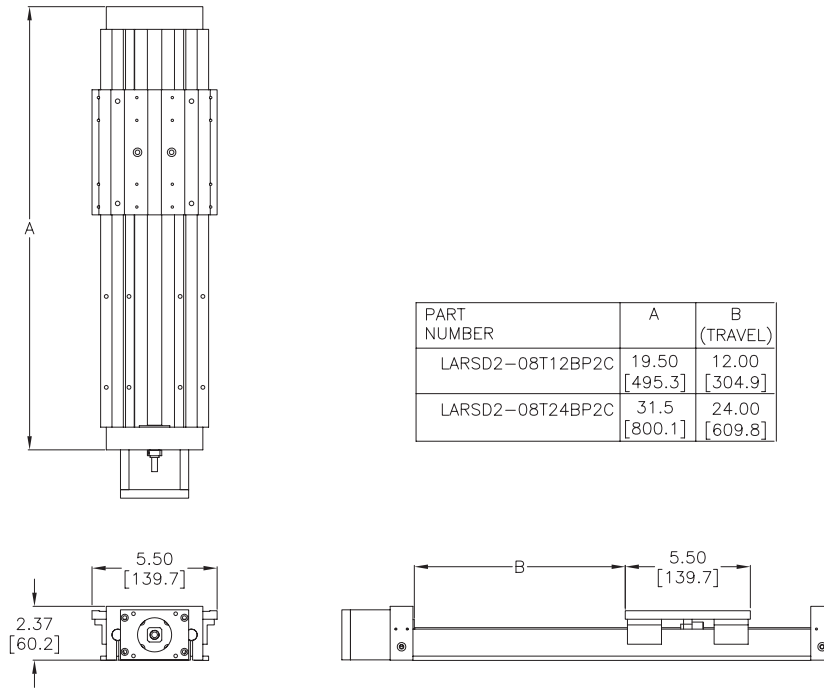


**Load rating diagram**

Twin Round Shaft Slide Actuator Load/Moment Ratings							
Part Number	Actuator Thrust	Load (lb)			Moment (lb-in)		
		Normal – LN		Transverse LT	Roll MR	Pitch MP	Yaw MY
		Down	Up				
<b>LARSD2-08TxxBP2C</b>	200	920	644	920	1046	1210	1730

## Twin Round Shaft Slide Actuators

Dimensions (in [mm])



PART NUMBER	A	B (TRAVEL)
LARSD2-08T12BP2C	19.50 [495.3]	12.00 [304.9]
LARSD2-08T24BP2C	31.5 [800.1]	24.00 [609.8]

LARSD2-08TxxBP2C

See our website [\\_\\_\\_\\_\\_](#) for complete Engineering drawings.

### Accessories

Twin Round Shaft Slide Actuator Accessories			
Part Number	Price	Description	Weight (lb)
<a href="#">LARSACC-010</a>		SureMotion linear ball bushing, open type, 1/2 inch inside diameter, with seals, self-aligning.	0.5
<a href="#">LARSACC-013*</a>		SureMotion repair kit, for use with LARSD2-08T12BP2C actuators. Ballscrew, ballnut, end bearings and grease tube included.	3.0
<a href="#">LARSACC-014*</a>		SureMotion repair kit, for use with LARSD2-08T24BP2C actuators. Ballscrew, ballnut, end bearings and grease tube included.	5.0
<a href="#">LARSACC-015*</a>		SureMotion motor adapter, NEMA 23 frame. For use with LARSD2-08 series actuators. 1/4 x 1/4 inch coupler included.	1.0
<a href="#">LARSACC-016*</a>		SureMotion motor adapter, NEMA 34 frame. For use with LARSD2-08 series actuators. 1/2 x 1/4 inch coupler included.	1.0

\* Repair kits and NEMA 23/34 motor adapter contain replacement components that are the same as the original components in the actuator assemblies.



LARSACC-015(16)



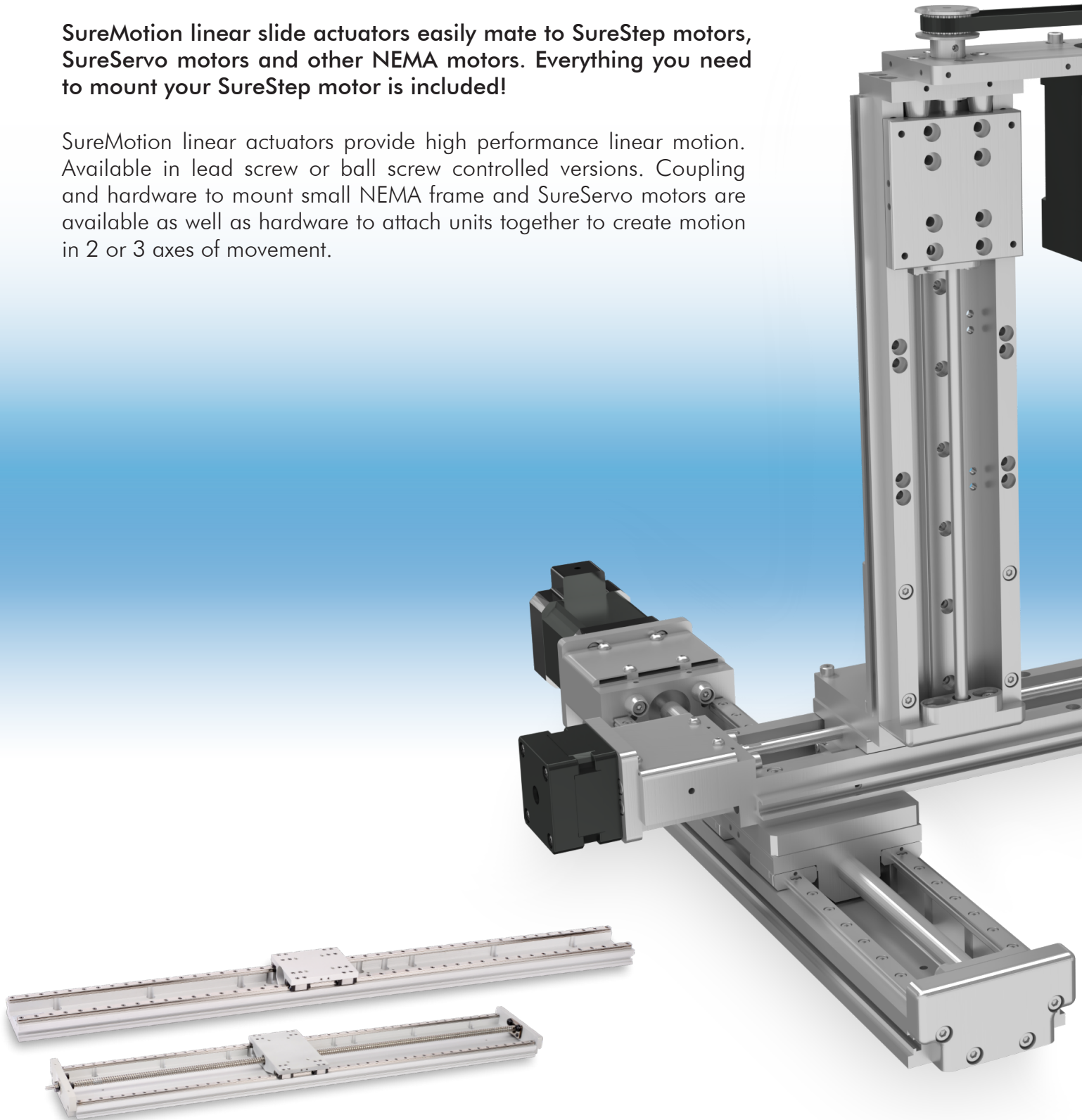
LARSACC-013(014)

Some accessories not shown see [\\_\\_\\_\\_\\_](#) for additional product photos.

# Linear Motion Slides and Components to Create up to 3 Axes of Motion

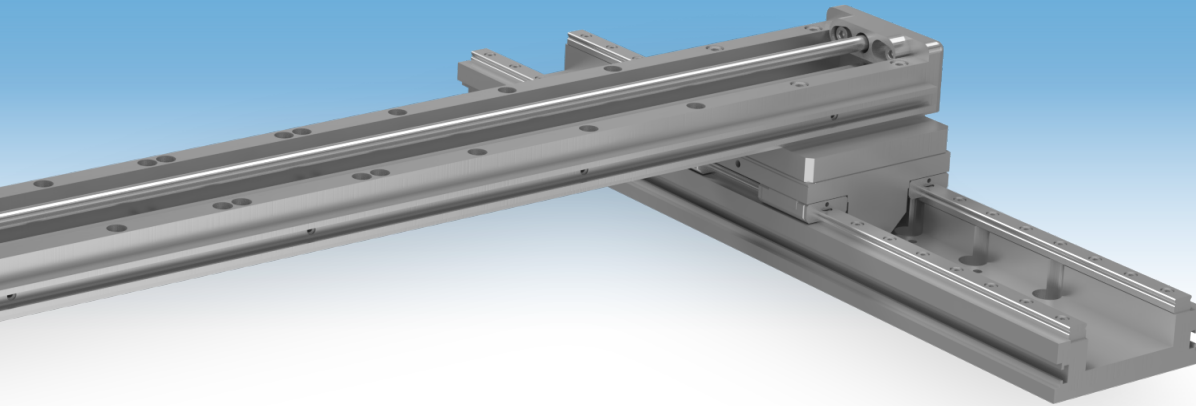
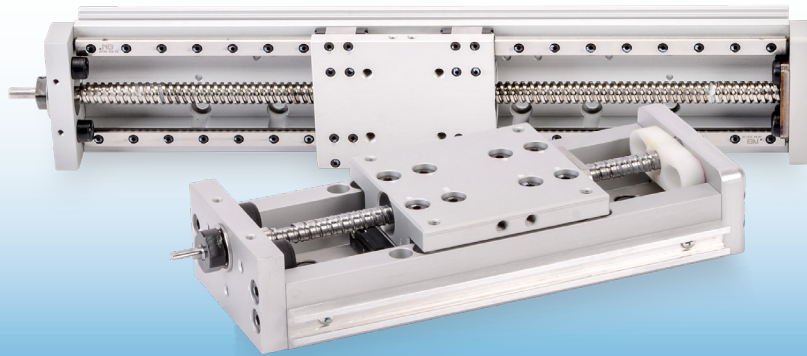
SureMotion linear slide actuators easily mate to SureStep motors, SureServo motors and other NEMA motors. Everything you need to mount your SureStep motor is included!

SureMotion linear actuators provide high performance linear motion. Available in lead screw or ball screw controlled versions. Coupling and hardware to mount small NEMA frame and SureServo motors are available as well as hardware to attach units together to create motion in 2 or 3 axes of movement.



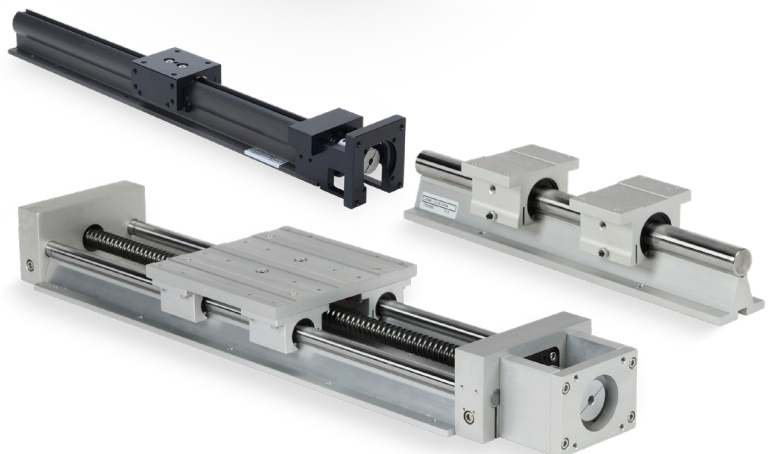
# Sure motion

**LAHP units can be attached to each other to provide up to 3 axes of motion and from 52mm to 910mm of travel.**



**18 models, with travels from 6 to 36 inches**

**Ready to mount NEMA 17, 23 or 34 motors**



## Product Overview

### Actuator Overview

SureMotion linear motion offers both motor-ready actuator assemblies, and a versatile assortment of sliding components and accessories to provide a wide variety of motion control solutions.

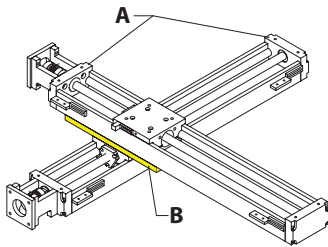
#### Linear Slide Actuator Comparisons

Actuator Series Comparisons						
Actuator Series	Actuator Type	Drive Type	Max Load Capacity (lb)	Max Speed (in/s)	Travel (in)	Relative Price
LARSD2	Twin Round Shaft	Ball Screw	920	6	12, 24	\$\$\$\$
LACP2	Compact Slide	Lead Screw	125	20	6, 12, 24, 36	\$\$
LAVL2	Value Slide	Lead Screw	110	15	6, 12, 18, 24	\$

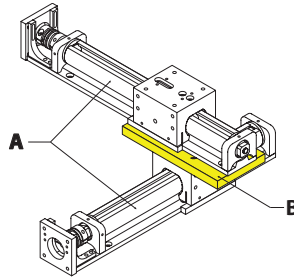


#### Available Multi-Axis Configurations

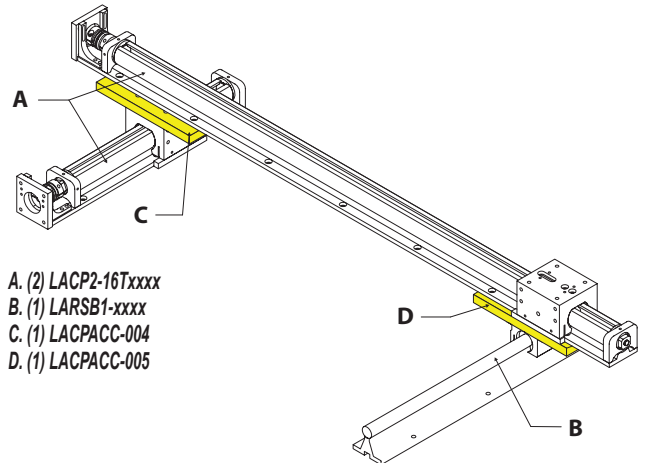
##### X-Y Axis Configurations



A. (2) LAVL2-60Txxxx  
B. (1) LAVLACC-004



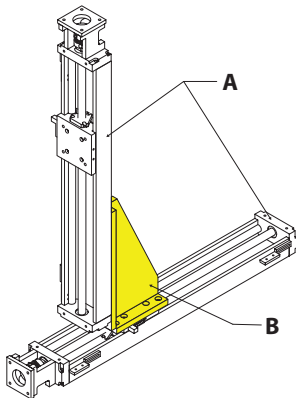
A. (2) LACP2-16Txxxx  
B. (1) LACPACC-004



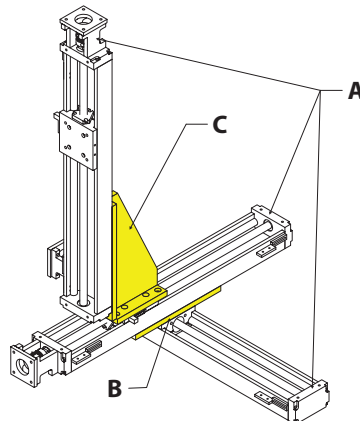
A. (2) LACP2-16Txxxx  
B. (1) LARSB1-xxxx  
C. (1) LACPACC-004  
D. (1) LACPACC-005

##### X-Z Axis Configuration

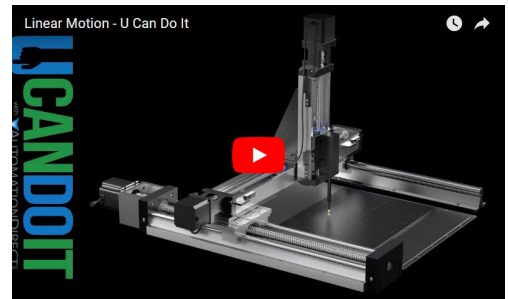
##### X-Y-Z Axis Configuration



A. (2) LAVL2-60Txxxx  
B. (1) LAVLACC-005



A. (3) LAVL2-60Txxxx  
B. (1) LAVLACC-004  
C. (1) LAVLACC-005



Click on the above video link for a short visual example of how our products can be used.