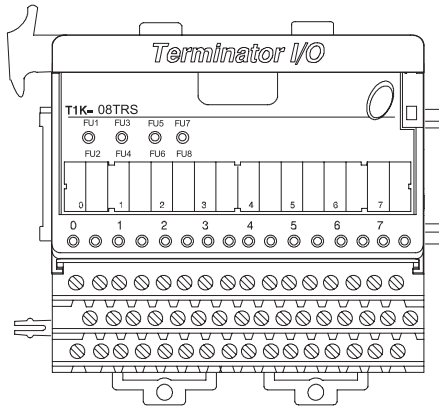


# Relay Output Modules

## 8-point, isolated relay output module

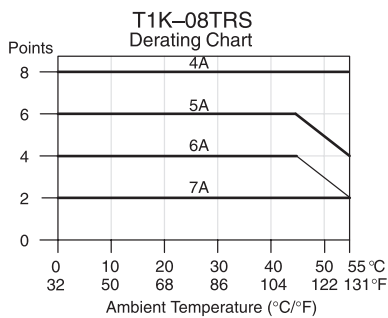
The 8-point relay output module uses a T1K-16B or T1K-16B-1 base, which is purchased separately.



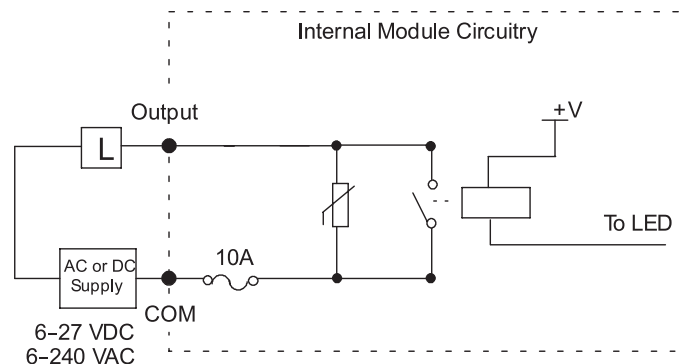
T1K-08TRS Output Specification	
<b>Outputs per Module</b>	8 normally open
<b>Commons</b>	8, 1 pt. / common (isolated)
<b>Operating Voltage Range</b>	6–240 VAC (47–63 Hz), 6–27 VDC
<b>Output Voltage Range</b>	5–264 VAC (47–63 Hz), 5–30 VDC min./max.
<b>Max. Load Current</b>	7A / pt. (subject to derating)
<b>Max. Leakage Current</b>	0.1 mA @ 264VAC
<b>Max. Inrush Current</b>	8A for 10ms
<b>Min. Load</b>	5mA @ 5VDC
<b>OFF to ON Response</b>	< 15ms
<b>ON to OFF Response</b>	< 10ms
<b>Base Power Required</b>	400mA @ 5VDC
<b>Status Indicators</b>	Logic side
<b>Error Status Indications(LEDs)</b>	FU1/FU2 ON = fuse 1 or 2 blown FU3/FU4 ON = fuse 3 or 4 blown FU5/FU6 ON = fuse 5 or 6 blown FU7/FU8 ON = fuse 7 or 8 blown
<b>Fuses (User Replaceable) T1K-FUSE-3</b>	8, (10A, 250V / common), 1 pt. / fuse NQ3-10 SOC Corp.
<b>Weight</b>	185g

Voltage and Load Type	Load Current			
	1A	2A	5A	7A
<b>24 VDC Resistive</b>	1000 K	500 K	200 K	100 K
<b>24 VDC Solenoid</b>	300 K	100 K	see note	see note
<b>110 VAC Resistive</b>	1000 K	500 K	200 K	100 K
<b>110 VAC Solenoid</b>	300 K	100 K	see note	see note
<b>220 VAC Resistive</b>	500 K	250 K	125 K	60 K
<b>220 VAC Solenoid</b>	300 K	100 K	see note	see note

*Note: Solenoid (inductive) loads >2A cannot be used.*



### Equivalent Output Circuit



# Dimensions and Installation

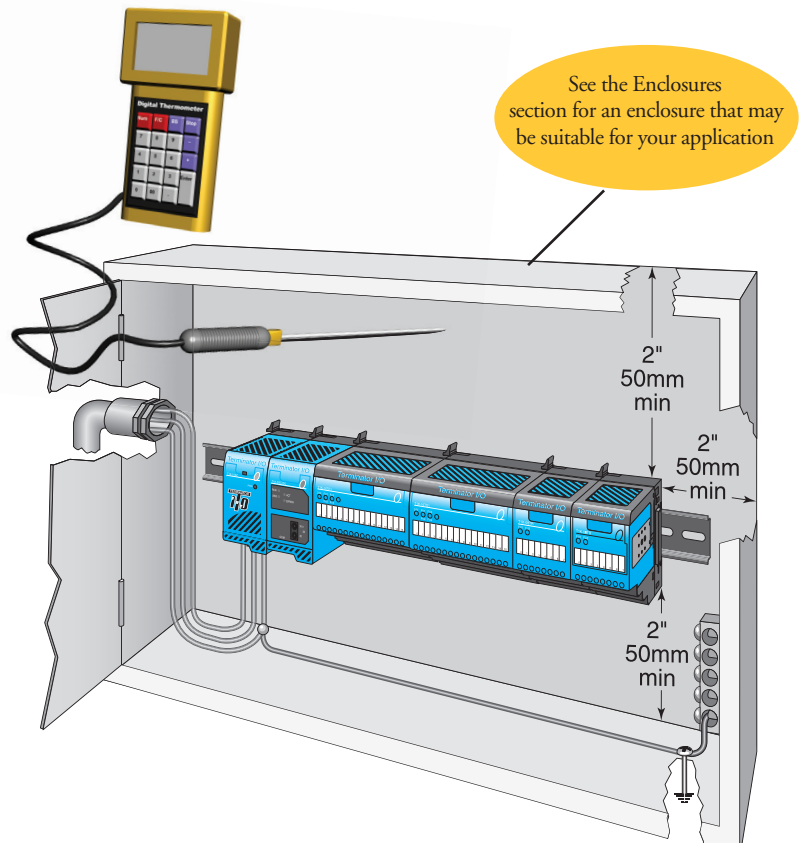
It is important to understand the installation requirements for your Terminator I/O system. This will ensure that the Terminator I/O products work within their environmental and electrical limits.

## Plan for safety

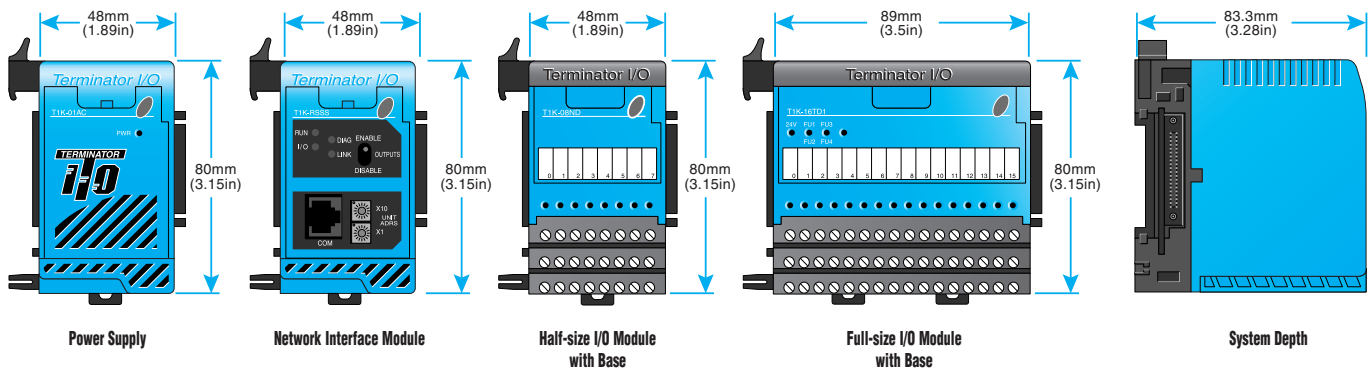
This catalog should never be used as a replacement for the technical data sheet that comes with the products or the T1K-INST-M Installation and I/O Manual (available online at .) The technical data sheet contains information that must be followed. The system installation should comply with all appropriate electrical codes and standards.

## Unit dimensions and mounting orientation

Use the following diagrams to decide if the Terminator I/O system can be installed in your application. Terminator I/O units should be mounted horizontally. To ensure proper airflow for cooling purposes, units should not be mounted upside-down. It is important to check the Terminator I/O dimensions against the conditions required for your application. For example, it is recommended to leave 2" depth for ease of access and cable clearance. However, your distance may be greater or less. Also, check the installation guidelines for the recommended cabinet clearances.



Terminator I/O Environmental Specifications	
<b>Ambient Operating Temperature</b>	32°F to 131°F (0°C to 55°C)
<b>Storage Temperature</b>	-4°F to 158°F (-20°C to 70°C)
<b>Ambient Humidity</b>	5% to 95% (Non-condensing)
<b>Atmosphere</b>	No corrosive gases. The level of environmental pollution = 2 (UL 840)
<b>Vibration Resistance</b>	MIL STD 810C, Method 514.2
<b>Shock Resistance</b>	MIL STD 810C, Method 516.2
<b>Voltage Withstand (Dielectric)</b>	1500VAC, 1 minute
<b>Insulation Resistance</b>	500 VDC, 10 MΩ
<b>Noise Immunity</b>	NEMA ICS3-304 Impulse noise 1μs, 1000V FCC class A RFI (144MHz, 430MHz 10W, 10cm)
<b>Agency Approvals</b>	UL, CE, FCC class A, NEC Class 1 Division 2



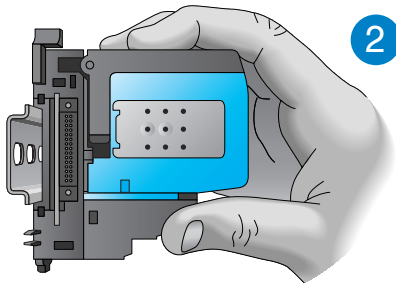
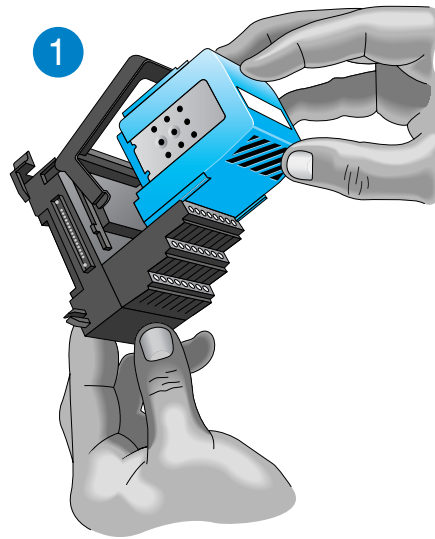
# I/O Module Installation

## I/O module installation

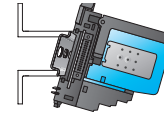
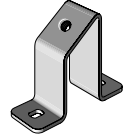
Terminator I/O modules feature separate terminal bases for easy installation.

To install I/O modules:

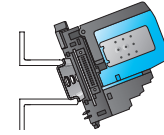
1. Slide the module into its terminal base (until it clicks into position)
2. Hook upper DIN rail tabs over the top of DIN rail, and press the assembly firmly onto the DIN rail.
3. Slide the module along the DIN rail until it engages with the adjacent module.



## DN-ASB-1 angled mounting bracket

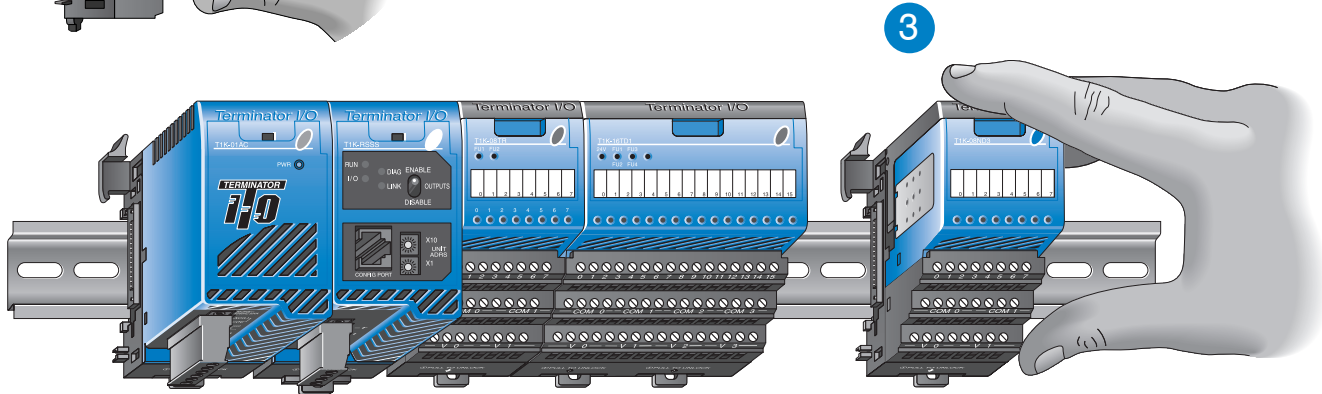


Great for mounting in upper locations



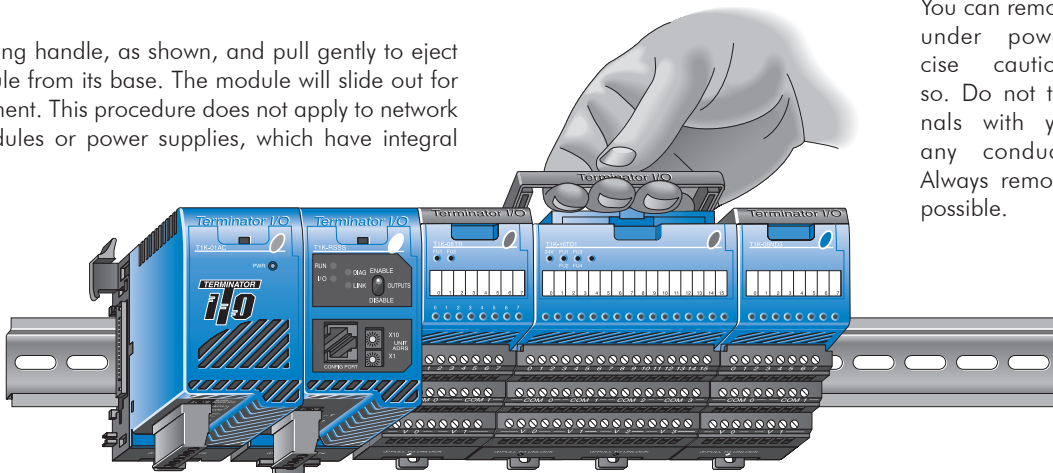
Great for mounting in lower locations

Optional angled support bracket raises and tilts the mounting rail for easier access and wiring. Use with 35mm DIN rail. See the Connection Systems in this catalog for details.



## Removing I/O modules is a snap

Grip the locking handle, as shown, and pull gently to eject the I/O module from its base. The module will slide out for easy replacement. This procedure does not apply to network interface modules or power supplies, which have integral bases.



## Hot-swappable I/O modules

You can remove I/O modules under power, but exercise caution while doing so. Do not touch the terminals with your hands or any conductive material. Always remove power when possible.



# Expansion I/O Configurations

## Expansion cables

T1K-10CBL

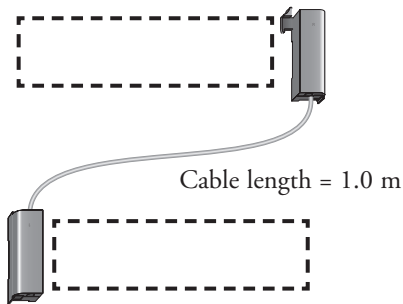
T1K-10CBL-1\*

Right side to left side  
expansion cable

The T1K-10CBL(-1) connects the right side of an I/O base to the left side of the next I/O base. A maximum of two T1K-10CBL(-1) cables can be used per expansion system.

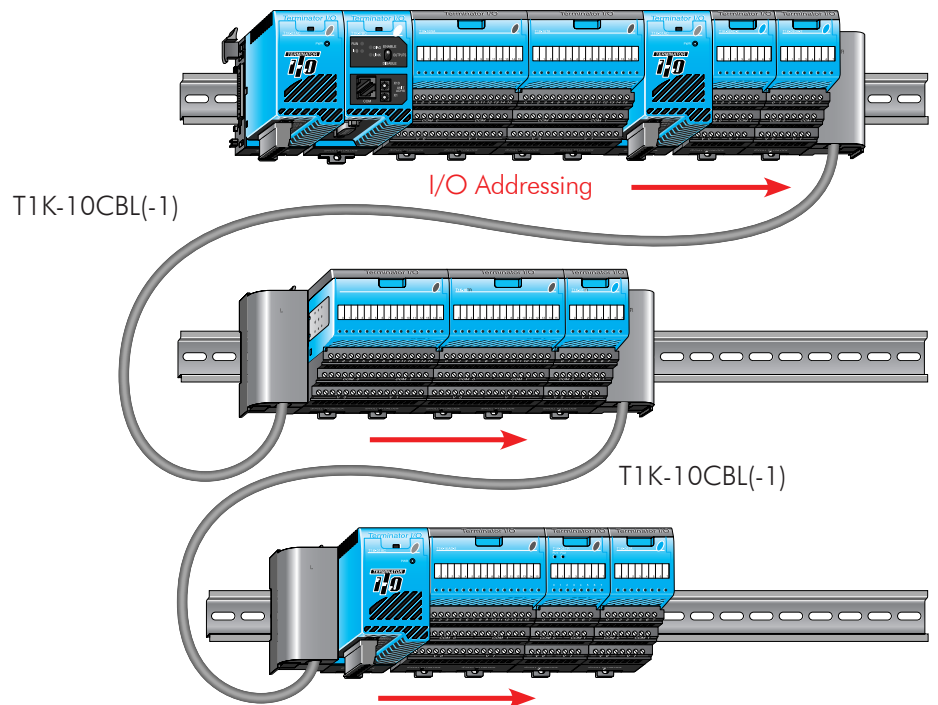
**\*Note:** The (-1) versions of the expansion cables pass 24VDC through on an isolated wire. (All cables pass the 5VDC base power.) Any local expansion DC input module configured for "internal power"

(current sourcing) must either have a power supply preceding it on the same base or, have a (-1) version cable pass 24VDC from a power supply on the preceding base.



### Using two T1K-10CBL expansion cables

In the system below, power supplies can be used anywhere.



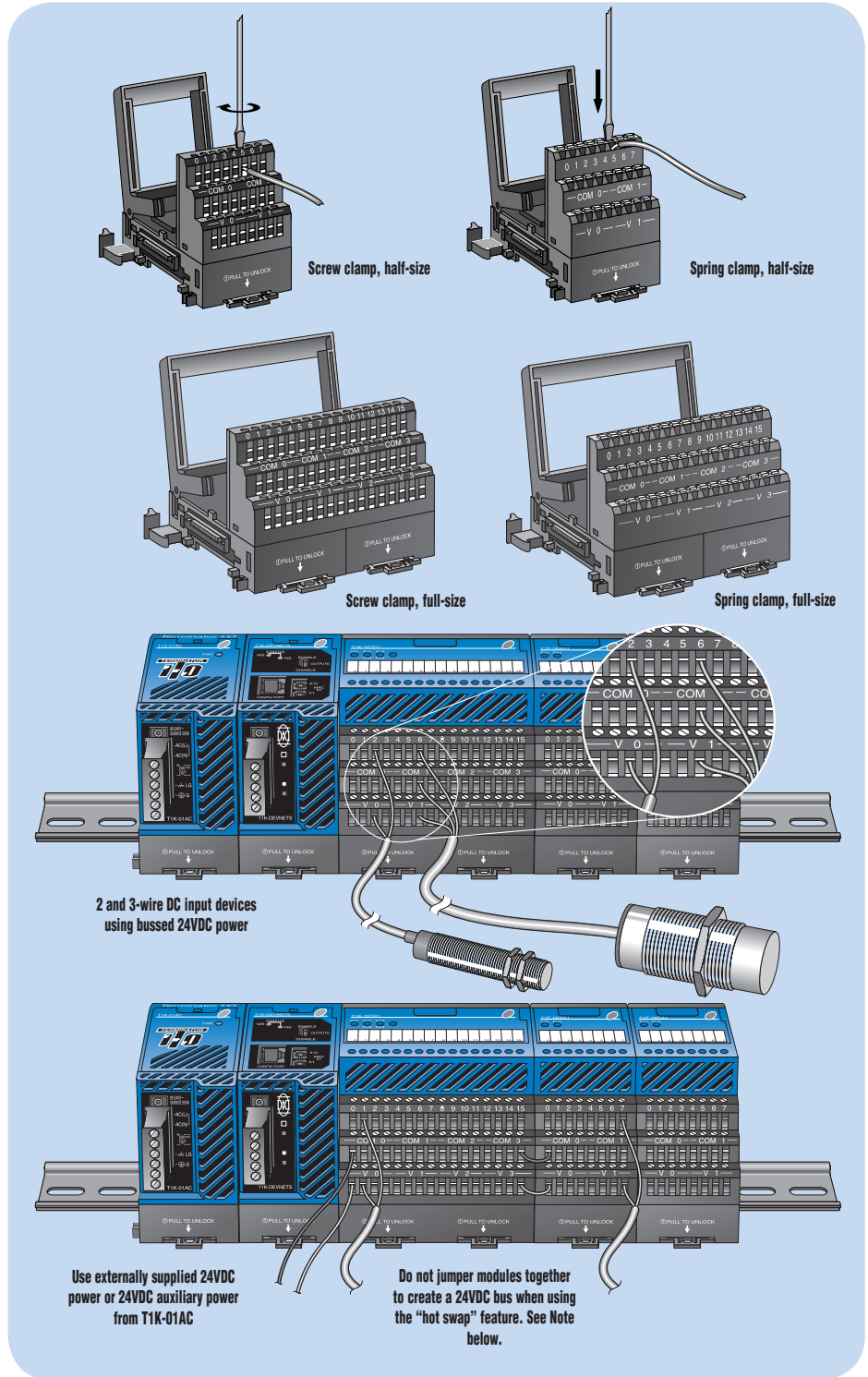


# Field Device Wiring and Power Options

## Terminal base specifications

Terminator I/O terminal bases are available in screw clamp and spring clamp versions for both half-size and full-size modules. Hot stamp silk screen labeling is used for numbering I/O points, commons, and all power terminals.

Terminal Base Specifications		
<b>Terminal Type</b>	Screw type	Spring clamp
<b>Recommended Torque</b>	1.77–3.54 lb-in (0.2–0.4 N-m)	N/A
<b>Wire Gauge</b>	Solid: 25–12 AWG Stranded: 26–12 AWG	Solid: 25–14 AWG Stranded: 26–14 AWG



## Field device wiring options

Power your DC input devices from the integrated 24VDC power supply bus. T1K-08ND3 and T1K-16ND3 DC input modules include jumpers for selecting the internal 24VDC power supply available for 2- and 3-wire field devices. Clearly labeled triple stack terminals make it easy to wire 2- and 3-wire devices ensuring clean wiring with only one wire per termination.

External user supplied 24VDC power, or auxiliary 24VDC terminals from T1K-01AC, can be easily applied directly to one end of the terminal rows and jumpered across each base in the system.

This is a convenient solution for powering analog I/O and discrete DC output devices whose modules do not have direct access to the internal bussed 24VDC. If current consumption increases, simply add additional T1K-01AC power supplies into the system.

## Hot-swap feature

The hot-swap feature allows Terminator I/O modules to be replaced while system power is on. Be careful not to touch the terminals with your hands or other conductive material to avoid the risk of personal injury or equipment damage. Always remove power if it is equally convenient to do so.

**Note:** Before hot-swapping analog or

DC output modules in a Terminator I/O system, make sure that each of the analog and DC output module's 24VDC and 0 VDC base terminals are wired directly to the external power supply individually. If the external 24VDC and 0 VDC is jumpered from base to base in a daisy chain fashion, and an analog or DC output module is

removed from its base, the risk of disconnecting the external 24VDC and 0 VDC to the subsequent I/O modules exists.