

Audible Signal Devices



22.5 mm Panel-mount Electrical Buzzers with Acknowledgment Function



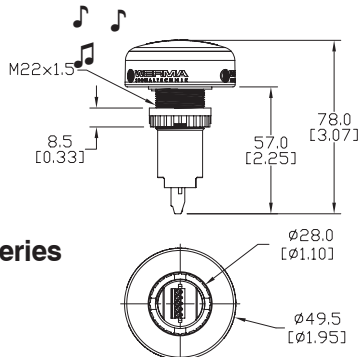
Buzzer without sound output holes

- Mount in 22.5 mm hole
- LED permanent light with continuous tone
- 80 decibels volume at one meter
- Lightly press to silence the audible signal
- Potential-free output for transmission of the acknowledgment signal to the control unit
- Positive and negative logic

450 Series Buzzer Specifications		
Part Number	45010055	45030055
Price		
Description	Buzzer element with acknowledgment function	
LED Indicator Color	Red	Yellow
Voltage	24V /DC	
Current Consumption	≤ 0mA	
Tone Frequency	3kHz	
Maximum Volume	80dB @ 1m	
Max. Output (acknowledgment)	Solid State 30V, 100mA	
Tone Type	Continuous	
Life Duration	> 50,000h	
Operating Temperature	-4°F to 122°F [-20°C to 50°C]	
Protection	IP65	
Weight	40g [1.41 oz]	
Housing Material	Cap: Polycarbonate. Body: Black Polycarbonate	
Connection	Connector plug with screwable connection max. 0.5 mm ² (20AWG)	
Agency Approvals	cULus file E164155, CE, RoHS	

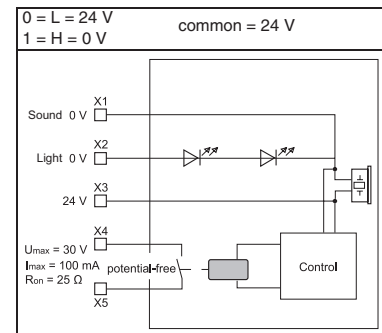
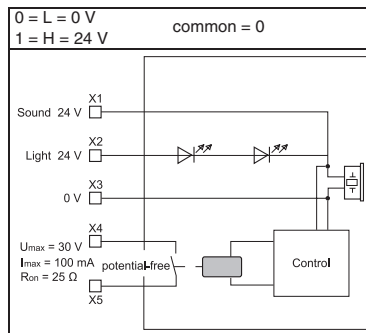
To obtain the most current agency approval information, see the Agency Approval Checklist section on the specific part number's web page at

DIMENSIONS mm [inches]



450 Series

Wiring



1



An initial alarm is indicated by both an illuminated and audible signal.

2



The audible signal can be silenced quickly by lightly pressing on the front of the indicator.

3



An acknowledge signal is then transmitted via an electronic switch, and the alarm is now only indicated by the illuminated visual signal.