

# WERMA Signaling Overview



## Description

WERMA offers a wide range of signaling devices for either installation panel or surface mount applications. Modern designs and the latest LED technology provides exceptionally clear and bright signalling.

## Installation Beacons and Audible Signal Devices

WERMA installation beacons are designed for mounting in panels or enclosures. A characteristic of this beacon type is that the rear fixture uses a central nut.

- Permanent, blinking, flashing, or LED beacons
- High protection rating IP65
- Beacons in 29, 57/58, and 75 mm beacon diameters
- Audible modules with sight/sound combinations
- Signal modules come in common voltages (24V AC/DC, 115 VAC, and 230 VAC)
- Five colors
- For installation in 22.5 or 34 mm cutouts

## Freestanding Beacons

WERMA freestanding beacons offer a range of modules including: permanent, blinking, flashing, LED EVS, and LED rotating.

- Base, bracket or tube mounting
- Incandescent, LED, or Xenon light sources
- High protection rating IP65
- 57/58/75/98/100 mm beacon diameters available
- Tall lens option available
- Signal modules in common voltages (24V AC/DC, 115 VAC, and 230 VAC)
- Five colors available

## Beacon Accessories

Accessories for installation and freestanding beacons:


- Tube adapter, mounting base, surface-mounting enclosures, washers, for installation beacons
- Wire guard, wallmount bracket, bracket, base and tube, and cable gland for freestanding beacons



# Selecting Your WERMA Beacon

## ▶ STEP 1

Select the required panel or freestanding beacon or buzzer for your application



**Optical Signal Elements**

- Incandescent Permanent Light
- LED Permanent Light
- Xenon Flashing Light
- LED Flashing Light
- LED Blinking Light
- LED Rotating Light
- LED Double Flashing Light
- LED EVS (Enhanced Visibility System) Flashing Light

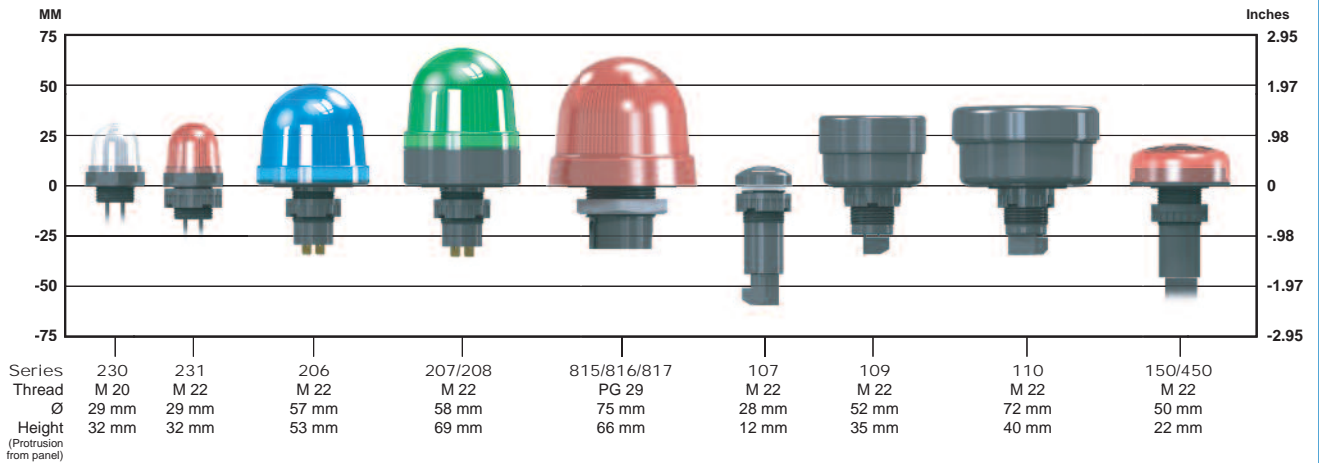
**Audible Signal Elements**

- Buzzer Element
- Buzzer Element with Acknowledgment Function

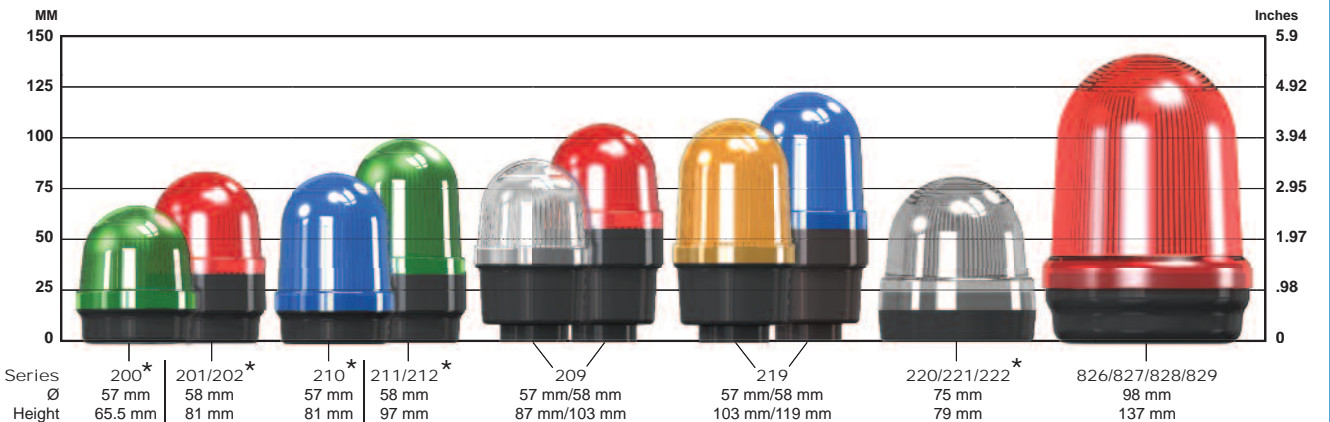
## ▶ STEP 2

Select the required beacon height/depth for your application from either the panel beacons and buzzers or free-standing beacons.

### Installation Beacons and Buzzers



### Freestanding Beacons



\*Bracket mount also available

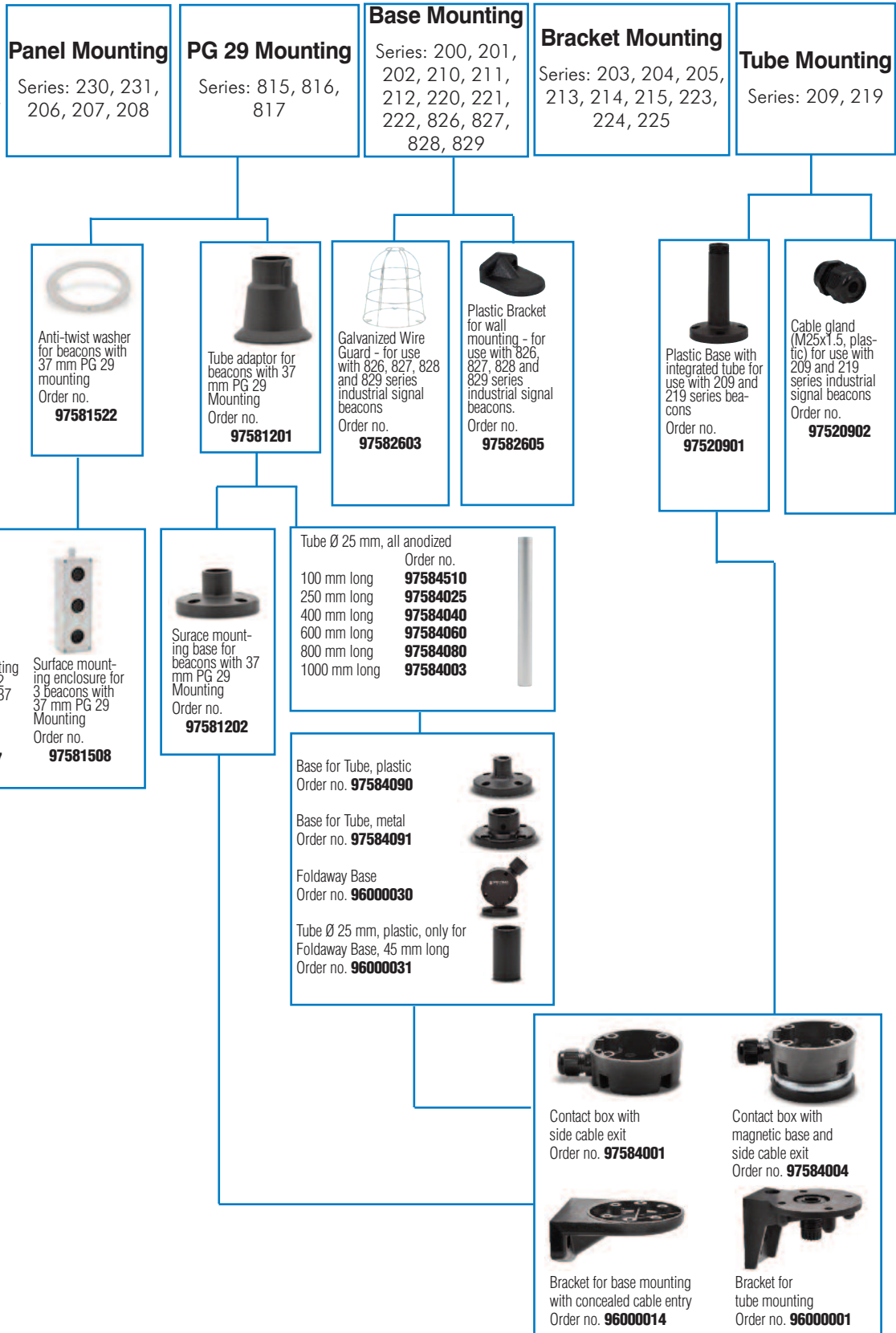
# Selecting Your WERMA Beacon

## ► STEP 3

Select the correct mount for your application

## ► STEP 4

Where appropriate, select a mounting accessory for your PG29, base-mounted, or tube-mounted beacon.



# 98/100 mm Base Mount Beacons

## 98/100 mm Beacon Features

- Choose from permanent incandescent, permanent LED, flashing Xenon, EVS (Enhanced Visibility System) flashing LED, and rotating models
- Base mount installation
- 98 and 100 mm diameters
- Light-intensive Xenon flash in flash models
- Bulb not included with 826 incandescent models
- 25W bulb included with 827 incandescent models
- Various mounting accessories available
- 2 year warranty



826, 827, and 828 Series Beacons Technical Specifications												
Description	Voltage	Part Number	Price	Color	Current	Starting Current	Operating Temp /Protection	Life Duration	Housing Material	Weight	Connection	Agency Approvals
<b>74 mm (Base Mount)</b>												
Incandescent Permanent Light 98 mm	12-240V AC/DC max (depends on bulb selection)	82610000	<--->	Red	Depends on bulb selection. (bulb sold separately)	-				180g [6.35 oz]		
		82620000	<--->	Green								
		82630000	<--->	Yellow								
		82640000	<--->	Clear								
		82650000	<--->	Blue								
Incandescent Blinking Light (1.5 Hz blinking frequency, 5Ws flash energy) 98 mm	24V AC/DC	82710075	<--->	Red	max. 3.0 A	≤ 3.0A	-4°F to 122°F [-20°C to 50°C] IP65 when mounted	Up to 5,000 hours	Polycarbonate cap Polycarbonate /ABS base	207g [7.30 oz]	Terminal screws ≤ 1.5 mm <sup>2</sup> AWG 16-14 Cable diameter 5-8 mm	cULus file E164155, CE, RoHS
		82720075	<--->	Green								
		82730075	<--->	Yellow								
		82740075	<--->	Clear								
		82750075	<--->	Blue								
	115V AC/DC	82710077	<--->	Red	max. 500 mA							
		82720077	<--->	Green								
		82730077	<--->	Yellow								
		82740077	<--->	Clear								
		82750077	<--->	Blue								
Xenon Flashing Light (1 Hz flash frequency, 1W flash energy) 100 mm	24 VDC	82810055	<--->	Red	300 mA	4,000,000 flashes				220g [7.76 oz]		
		82820055	<--->	Green								
		82830055	<--->	Yellow								
		82840055	<--->	Clear								
		82850055	<--->	Blue								
	115 VAC	82810067	<--->	Red	65 mA 50-60 Hz							
		82820067	<--->	Green								
		82830067	<--->	Yellow								
		82840067	<--->	Clear								
		82850067	<--->	Blue								

## Bulbs



Bulbs for Incandescent Optical Element					
Part Number	Price	Description	Wattage	Voltage	Life Duration
95582635	<--->	Bulb for Incandescent Light	15W	24V AC/DC	up to 5,000 hrs
95582637	<--->			115 VAC	
95582638	<--->	B15d Bayonet Socket		230 VAC	

# 98/100 mm Base Mount Beacons

Company Information

Systems Overview

Programmable Controllers

Field I/O

Software

C-more & other HMI

Drives

Soft Starters

Motors & Gearbox

Steppers/ Servos

Motor Controls

Proximity Sensors

Photo Sensors

Limit Switches

Encoders

Current Sensors

Pressure Sensors

Temperature Sensors

Pushbuttons/ Lights

Process

Relays/ Timers

Comm.

Terminal Blocks & Wiring

Power

Circuit Protection

Enclosures

Tools

Pneumatics

Appendix

Product Index

Part # Index

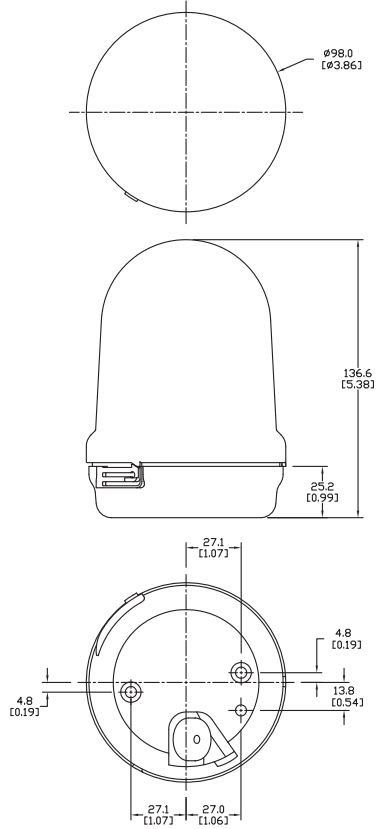
829 Series 98 mm Beacons Technical Specifications													
Description	Voltage	Part Number	Price	Color	Current	Starting Current	Operating Temp /Protection	Life Duration	Housing Material	Weight	Connection	Agency Approvals	
<b>74 mm (Base Mount)</b>													
Permanent/ Blinking LED (blinking frequency 1.5 Hz) 98 mm	24V DC	<b>82910055</b>	<--->	Red	≤ 150 mA					200g			
		<b>82920055</b>	<--->	Green									
		<b>82930055</b>	<--->	Yellow									
		<b>82950055</b>	<--->	Blue									
Rotating LED	24V DC	<b>82911055</b>	<--->	Red	≤ 170 mA					215g			
		<b>82921055</b>	<--->	Green									
		<b>82931055</b>	<--->	Yellow									
		<b>82941055</b>	<--->	Clear									
		<b>82951055</b>	<--->	Blue									
	115-230 VAC	<b>82911068</b>	<--->	Red	≤ 200 mA	< 500 mA							
		<b>82921068</b>	<--->	Green									
		<b>82931068</b>	<--->	Yellow									
		<b>82941068</b>	<--->	Clear									
		<b>82951068</b>	<--->	Blue									
Double Flash LED	24V DC	<b>82912055</b>	<--->	Red	≤ 120 mA		-4°F to 122°F [-20°C to 50°C]	up to 50,000 hours	Polycarbonate cap Polycarbonate /ABS base	205g		cULus file E164155, CE, RoHS	
		<b>82932055</b>	<--->	Yellow									
		<b>82942055</b>	<--->	Clear									
	115-230 VAC	<b>82912068</b>	<--->	Red	≤ 75 mA								
		<b>82932068</b>	<--->	Yellow									
		<b>82942068</b>	<--->	Clear									
Permanent LED	115 VAC	<b>82913067</b>	<--->	Red	≤ 30 mA	≤ 300 mA				200g			
		<b>82923067</b>	<--->	Green									
		<b>82933067</b>	<--->	Yellow									
		<b>82953067</b>	<--->	Blue									
Permanent/ blinking / rotating LED	24 VDC	<b>82915055</b>	<--->	Red	≤ 300 mA					205g		Terminal screws ≤ 2.5 mm <sup>2</sup> AWG 24-11 Cable diameter 5-8 mm	
		<b>82925055</b>	<--->	Green									
		<b>82935055</b>	<--->	Yellow									
		<b>82955055</b>	<--->	Blue									
*Enhanced Visibility System (EVS) flashing LED	24 VDC	<b>82919055</b>	<--->	Red	≤ 300 mA	< 500 mA				215g		Terminal screws ≤ 1.5 mm <sup>2</sup> AWG 16-14 Cable diameter 5-8 mm	
		<b>82939055</b>	<--->	Yellow									
		<b>82949055</b>	<--->	Clear									
	115-230 VAC	<b>82919068</b>	<--->	Red	≤ 150 mA								
		<b>82939068</b>	<--->	Yellow									
		<b>82949068</b>	<--->	Clear									

\*EVS models provide a random flash pattern for increased visibility.

# 98/100 mm Base Mount Beacons

Dimensions mm [inches]

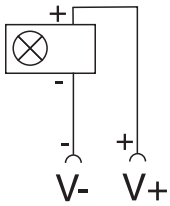
## 826/827/828/829 Series



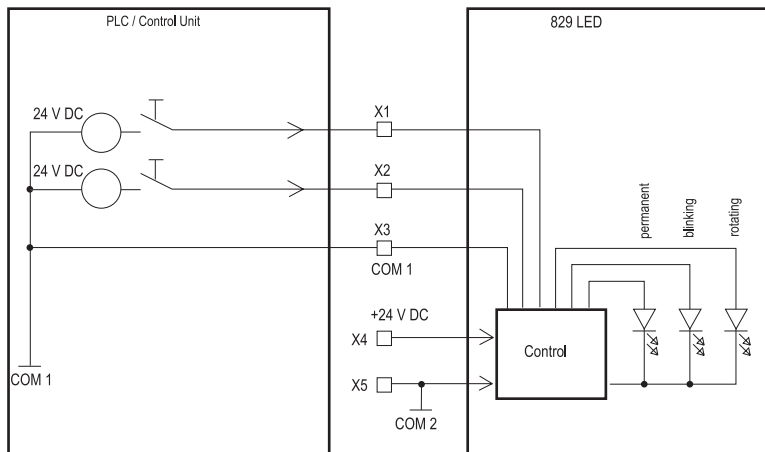
# 98 mm Base Mount Beacons

## Schematics

**826, 827, 828 Series and All 829s except: 82915055, 82925055, 82935055, 82955055**



**Permanent/Blinking/Rotating LED: 82915055, 82925055, 82935055, 82955055**



With positive logic	
X1	1 = +24 V, 0 = COM 1
X2	1 = +24 V, 0 = COM 1
X3	COM 1
X4	+24 V
X5	COM 2
With negative logic	
X1	1 = -24 V, 0 = COM 1
X2	1 = -24 V, 0 = COM 1
X3	COM 1
X4	+24 V
X5	COM 2

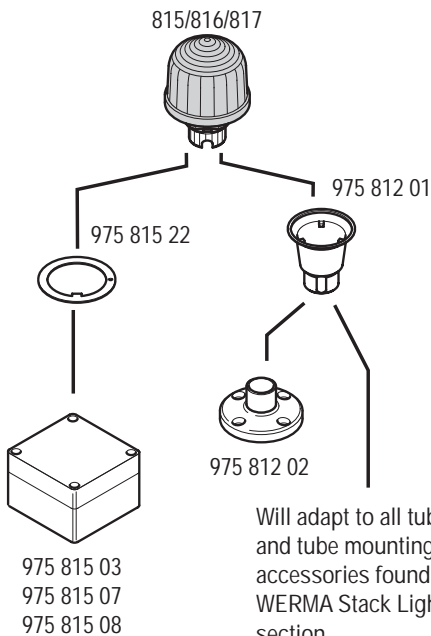
### Binary Code (for external triggering)

X1	X2	mode
0	0	Permanent
0	1	Rotating
1	0	Blinking
1	1	Permanent

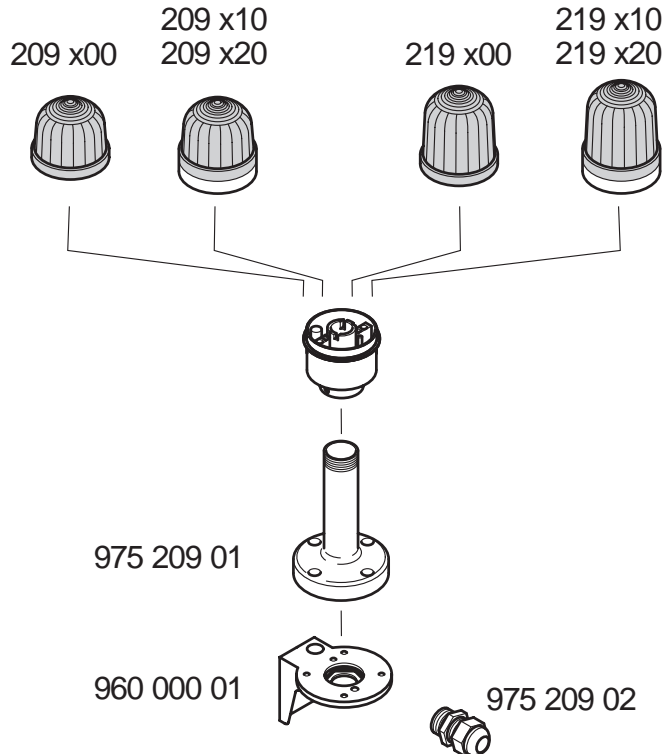
# Beacon Accessories



WERMA Beacons Accessories					
Part Number	Price	Description	Operating Temp.	Material	Weight
<b>Installation Beacon Accessories</b>					
97581201	<--->	Tube adapter for beacons with 37mm (PG 29) mounting installation. Find tube adapter accessories in WERMA Stack light catalog section.	-4°F to 122°F [-20°C to 50°C]	Polyamide /Fiberglass	1.13 g [0.04 oz]
97581202	<--->	Surface mounting base for beacons with 37mm (PG 29) mounting installation		Polyamide /Fiberglass with rubber seal	2.83 g [0.1 oz]
97581503	<--->	Surface mounting enclosure for 1 beacon with 37mm (PG 29) mounting installation		Polycarbonate/ ABS blend	8.5 g [0.3 oz]
97581507	<--->	Surface mounting enclosure for 2 beacons with 37mm (PG 29) mounting installation			14.17 g [0.5 oz]
97581508	<--->	Surface mounting enclosure for 3 beacons with 37mm (PG 29) mounting installation		17.0 g [0.6 oz]	
97581522	<--->	Anti-twist washer for beacons with 37mm (PG 29) mounting installation		304 Stainless steel	0.57 g [0.02 oz]
<b>Freestanding Beacon Accessories</b>					
96000001	<--->	Bracket for tube mounting - for use with 219 and 209 series industrial signal beacons.	-4°F to 122°F [-20°C to 50°C]	Polyamide	57 g [2.01 oz]
97520901	<--->	Plastic Base with integrated tube for WERMA industrial signal beacons- for use with 209 and 219 series beacons		Polyamide	0.1 lbs [1.6 oz]
97520902	<--->	Cable gland for WERMA industrial signal beacons: M25x1.5, plastic - for use with 209 and 219 series industrial signal beacons		Nylon	0.1 lbs [1.6 oz]
97582603	<--->	Galvanized Wire Guard for WERMA industrial signal beacons - for use with 826, 827, 828 and 829 series industrial signal beacons		Wire D 3mm, chromed	140 g [4.93 oz]
97582605	<--->	Plastic Bracket for wall mounting for use with WERMA signal beacons - for use with 826, 827, 828 and 829 series industrial signal beacons		Polycarbonate/ ABS blend	62g [2.19 oz]



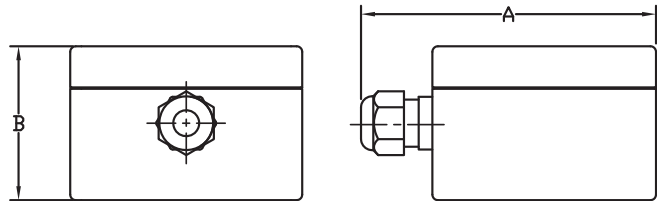
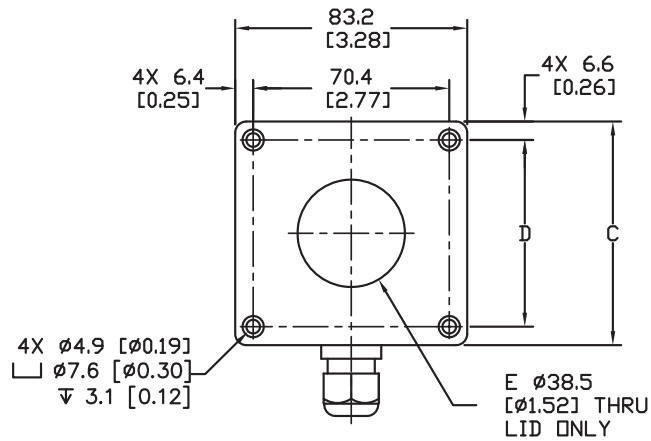
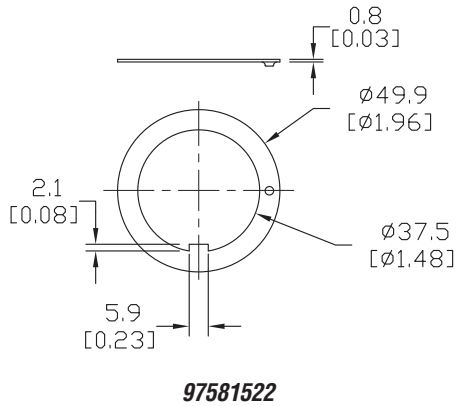
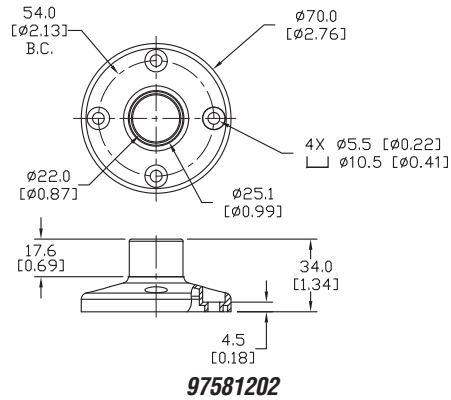
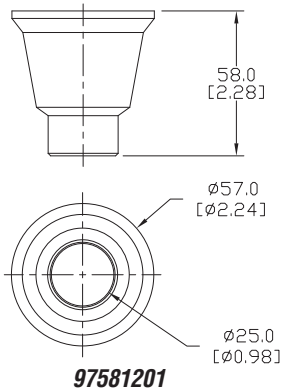
Will adapt to all tubes and tube mounting accessories found in WERMA Stack Light section.





# Beacon Accessories

Dimensions mm [in.]

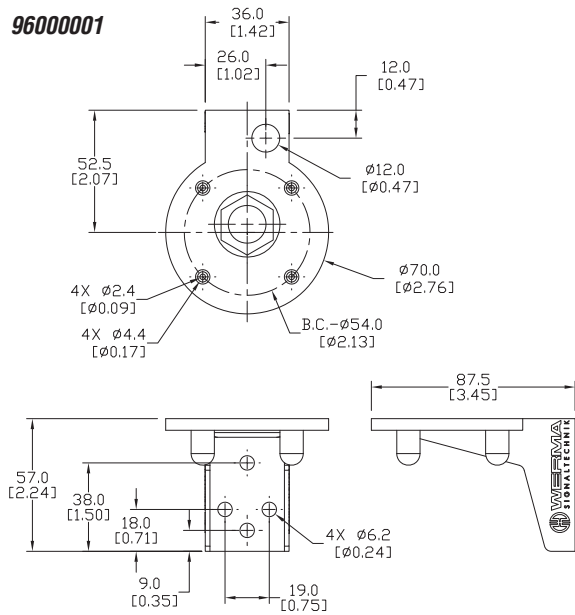


PART #	DIM A	DIM B	DIM C	DIM D	E # OF HOLES EQUALLY SPACED
97581503	105.8[4.17]	55.2[2.17]	80.2[3.16]	67.0[2.64]	1
97581507	185.7[7.31]	55.2[2.17]	160.3[6.31]	147.1[5.79]	2
97581508	266.7[10.50]	60.9[2.40]	241.3[9.50]	228.1[8.98]	3

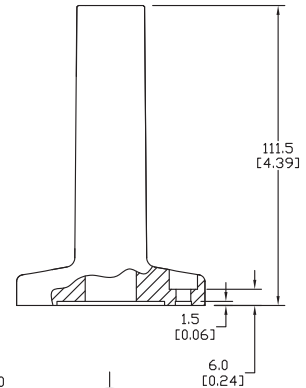
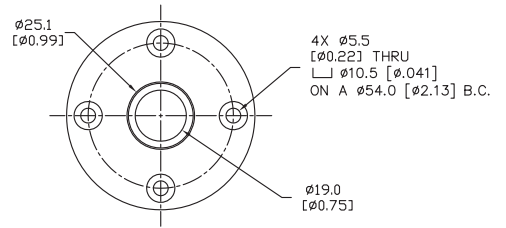
# Beacon Accessories

## Dimensions mm [inches]

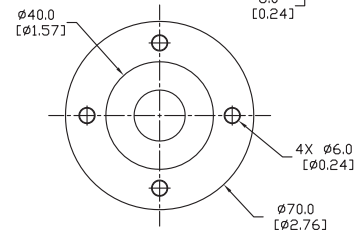
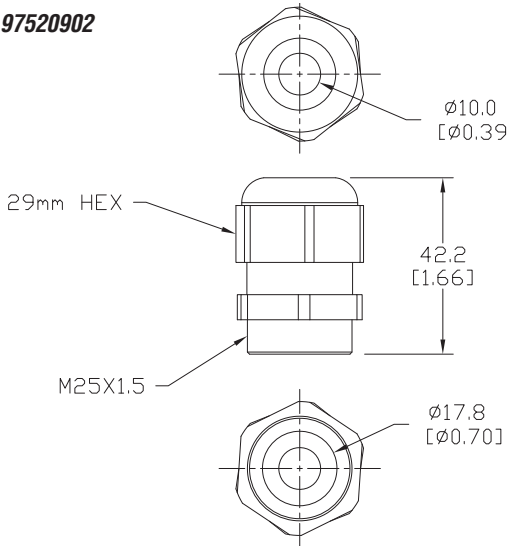
**96000001**



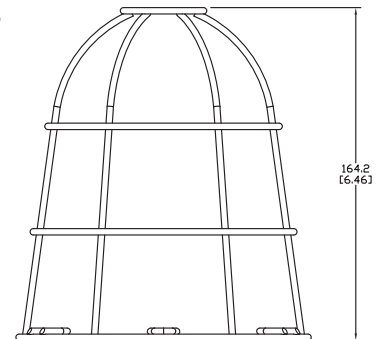
**97520901**



**97520902**



**97582603**



**97582605**

