



## 98mm Base Mount Beacons

### Features

- Choose from permanent incandescent, permanent LED, flashing Xenon, EVS (Enhanced Visibility System) flashing LED, and rotating models
- Base mount installation
- 98mm diameter
- Light-intensive Xenon flash in flash models
- Bulb not included with 826 incandescent models
- 25W bulb included with 827 incandescent models
- Various mounting accessories available
- 2 year warranty



### 826, 827, and 828 Series Beacons Technical Specifications

Part Number	Price	Color	Drawing link	Description	Voltage	Current	Starting Current	Operating Temp /Protection	Life Duration	Housing Material	Weight g [oz]	Connection	Agency Approvals
<b>74mm Base Mount</b>													
<a href="#">82610000</a>		Red	<a href="#">PDF</a>	Incandescent Permanent Light 98mm	12–240V AC/DC max (depends on bulb selection; bulb sold separately)	Depends on bulb selection. (bulb sold separately)	-				180 [6.35]		
<a href="#">82620000</a>		Green	<a href="#">PDF</a>										
<a href="#">82630000</a>		Yellow	<a href="#">PDF</a>										
<a href="#">82640000</a>		Clear	<a href="#">PDF</a>										
<a href="#">82650000</a>		Blue	<a href="#">PDF</a>										
<a href="#">82710075</a>		Red	<a href="#">PDF</a>	Incandescent Blinking Light (1.5 Hz blinking frequency, 5Ws flash energy) 98mm	24V AC/DC	max. 3.0 A		-4 to 122°F [-20 to 50°C]	Up to 5,000h	Polycarbonate cap Polycarbonate/ABS base	207 [7.30]	Terminal screws Max 2.5 mm <sup>2</sup> AWG 16–14 Cable diameter 5–8 mm	cULus file E164155, CE, RoHS
<a href="#">82720075</a>		Green	<a href="#">PDF</a>										
<a href="#">82730075</a>		Yellow	<a href="#">PDF</a>										
<a href="#">82740075</a>		Clear	<a href="#">PDF</a>										
<a href="#">82750075</a>		Blue	<a href="#">PDF</a>										
<a href="#">82710077</a>		Red	<a href="#">PDF</a>										
<a href="#">82720077</a>		Green	<a href="#">PDF</a>										
<a href="#">82730077</a>		Yellow	<a href="#">PDF</a>										
<a href="#">82740077</a>		Clear	<a href="#">PDF</a>										
<a href="#">82750077</a>		Blue	<a href="#">PDF</a>										
<a href="#">82810055</a>		Red	<a href="#">PDF</a>	Xenon Flashing Light (1Hz flash frequency, 1W flash energy) 98mm	24VDC	300mA	≤ 3.0 A	IP65 when mounted	4,000,000 flashes		220 [7.76]		
<a href="#">82820055</a>		Green	<a href="#">PDF</a>										
<a href="#">82830055</a>		Yellow	<a href="#">PDF</a>										
<a href="#">82840055</a>		Clear	<a href="#">PDF</a>										
<a href="#">82850055</a>		Blue	<a href="#">PDF</a>										
<a href="#">82810067</a>		Red	<a href="#">PDF</a>										
<a href="#">82820067</a>		Green	<a href="#">PDF</a>										
<a href="#">82830067</a>		Yellow	<a href="#">PDF</a>										
<a href="#">82840067</a>		Clear	<a href="#">PDF</a>										
<a href="#">82850067</a>		Blue	<a href="#">PDF</a>										
					115V AC/DC	max. 500mA							
					115VAC	65mA 50–60 Hz							

## Bulbs



95582635

Bulbs						
Part Number	Price	Description	Wattage	Voltage	For Use With	Life Duration
<a href="#">95582635</a>		Bulb for incandescent light BA15d bayonet socket	15W	24V AC/DC	826xxxxx	up to 5,000h
<a href="#">95582637</a>				115VAC		
<a href="#">95582638</a>				230VAC		
<a href="#">95582735</a>		Bulb for blinking incandescent light B15d bayonet socket	25W	24V AC/DC	827xxxxx	up to 2,000h
<a href="#">95582737</a>				115VAC		
<a href="#">95588524</a>		Halogen bulb G6.35	20W	12V	885xxx78	
<a href="#">95588525</a>				24V	885xxx75	



95582735



95588524



## 98mm Base Mount Beacons

829 and 885 Series 98mm Beacons Technical Specifications													
Part Number	Price	Color	Drawing Link	Description	Voltage	Current	Starting Current	Operating Temp /Protection	Life Duration	Housing Material	Weight g [oz]	Connection	Agency Approvals
<b>74mm (Base Mount)</b>													
<a href="#">82910055</a>		Red	<a href="#">PDF</a>	Permanent/ Blinking LED (blinking frequency 1.5 Hz) 98mm	24VDC	≤ 150mA					200 [7.05]		
<a href="#">82920055</a>		Green	<a href="#">PDF</a>										
<a href="#">82930055</a>		Yellow	<a href="#">PDF</a>										
<a href="#">82950055</a>		Blue	<a href="#">PDF</a>										
<a href="#">82911055</a>		Red	<a href="#">PDF</a>	Rotating LED 98mm	24VDC	≤ 170mA					215 [7.58]	Terminal screw ≤ 2.5 mm <sup>2</sup> AWG 16–14 Cable diameter 5–7 mm	
<a href="#">82921055</a>		Green	<a href="#">PDF</a>										
<a href="#">82931055</a>		Yellow	<a href="#">PDF</a>										
<a href="#">82941055</a>		Clear	<a href="#">PDF</a>										
<a href="#">82951055</a>		Blue	<a href="#">PDF</a>										
<a href="#">82911068</a>		Red	<a href="#">PDF</a>										
<a href="#">82921068</a>		Green	<a href="#">PDF</a>										
<a href="#">82931068</a>		Yellow	<a href="#">PDF</a>										
<a href="#">82941068</a>		Clear	<a href="#">PDF</a>										
<a href="#">82951068</a>		Blue	<a href="#">PDF</a>										
<a href="#">82912055</a>		Red	<a href="#">PDF</a>	Double Flash LED 98mm	24VDC	≤ 100mA		-4 to 122°F [-20 to 50°C]	up to 50,000h	Polycarbonate cap Polycarbonate/ ABS base	205 [7.23]		cULus file E164155, CE, RoHS
<a href="#">82932055</a>		Yellow	<a href="#">PDF</a>										
<a href="#">82942055</a>		Clear	<a href="#">PDF</a>										
<a href="#">82912068</a>		Red	<a href="#">PDF</a>										
<a href="#">82932068</a>		Yellow	<a href="#">PDF</a>										
<a href="#">82942068</a>		Clear	<a href="#">PDF</a>										
<a href="#">82913067</a>		Red	<a href="#">PDF</a>	Permanent LED 98mm	115VAC	≤ 30mA	≤ 500mA				200 [7.05]		
<a href="#">82923067</a>		Green	<a href="#">PDF</a>										
<a href="#">82933067</a>		Yellow	<a href="#">PDF</a>										
<a href="#">82953067</a>		Blue	<a href="#">PDF</a>										
<a href="#">82915055</a>		Red	<a href="#">PDF</a>	Permanent/ blinking / rotating LED 98mm	24VDC	≤ 300mA	< 500mA				205 [7.23]	Terminal screws ≤ 2.5 mm <sup>2</sup> AWG 24–11 Cable diameter 5–7 mm	
<a href="#">82925055</a>		Green	<a href="#">PDF</a>										
<a href="#">82935055</a>		Yellow	<a href="#">PDF</a>										
<a href="#">82955055</a>		Blue	<a href="#">PDF</a>										
<a href="#">82919055</a>		Red	<a href="#">PDF</a>	*Enhanced Visibility System (EVS) flashing LED 98mm	24VDC	≤ 150mA	< 500mA				215 [7.58]	Terminal screws ≤ 2.5 mm <sup>2</sup> AWG 16–14 Cable diameter 5–7 mm	
<a href="#">82939055</a>		Yellow	<a href="#">PDF</a>										
<a href="#">82949055</a>		Clear	<a href="#">PDF</a>										
<a href="#">82919068</a>		Red	<a href="#">PDF</a>										
<a href="#">82939068</a>		Yellow	<a href="#">PDF</a>										
<a href="#">82949068</a>		Clear	<a href="#">PDF</a>										
<a href="#">88510075</a>		Red	<a href="#">PDF</a>	Halogen	24V AC/DC	≤ 1A	-	-22 to 122°F [-30 to 50°C]	up to 5,000h	Polycarbonate cap Polycarbonate/ ABS base	321 [11.32]	Terminal screws ≤ 2.5 mm <sup>2</sup> AWG 22–14 Cable diameter 5–7 mm	cULus file E354322, CE, RoHS
<a href="#">88520075</a>		Green	<a href="#">PDF</a>										
<a href="#">88530075</a>		Yellow	<a href="#">PDF</a>										
<a href="#">88550075</a>		Blue	<a href="#">PDF</a>										
<a href="#">88510078</a>		Red	<a href="#">PDF</a>										
<a href="#">88520078</a>		Green	<a href="#">PDF</a>										
<a href="#">88530078</a>		Yellow	<a href="#">PDF</a>										
<a href="#">88550078</a>		Blue	<a href="#">PDF</a>										
					115– 230V AC/DC	≤ 400mA	-	IP65 when mounted			361 [12.73]		

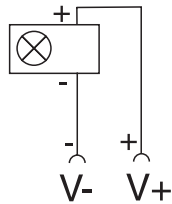
\*EVS models provide a random flash pattern for increased visibility.



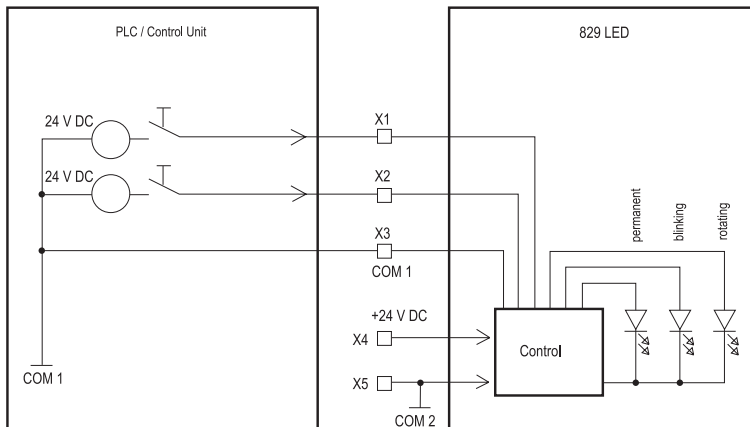
## 98mm Base Mount Beacons

### Schematics

**826, 827, 828, 885 Series and All 829s except:  
82915055, 82925055, 82935055, 82955055**



**Permanent/Blinking/Rotating LED:  
82915055, 82925055, 82935055, 82955055**



With positive logic	
X1	1 = +24 V, 0 = COM 1
X2	1 = +24 V, 0 = COM 1
X3	COM 1
X4	+24 V
X5	COM 2
With negative logic	
X1	1 = -24 V, 0 = COM 1
X2	1 = -24 V, 0 = COM 1
X3	COM 1
X4	+24 V
X5	COM 2

Binary Code (for external triggering)

X1	X2	mode	
0	0	Permanent	ON/Solid
0	1	Rotating	
1	0	Blinking	
1	1	Permanent	ON/Solid



## Beacon Accessories

WERMA Beacons Accessories						
Part Number	Price	Drawing Link	Description	Operating Temp.	Material	Weight
<b>Installation Beacon Accessories</b>						
<a href="#">97581201</a>		<a href="#">PDF</a>	Tube adapter for beacons with 37mm (PG29) mounting installation. Find tube adapter accessories in WERMA Stack light catalog section.	-4 to 122°F [-20 to 50°C]	Polyamide / Fiberglass	1.13 g [0.04 oz]
<a href="#">97581202</a>		<a href="#">PDF</a>	Surface mounting base for beacons with 37mm (PG29) mounting installation		Polyamide / Fiberglass with rubber seal	2.83 g [0.1 oz]
<a href="#">97581503</a>		<a href="#">PDF</a>	Surface mounting enclosure for 1 beacon with 37mm (PG29) mounting installation		Polycarbonate/ ABS blend	8.5 g [0.3 oz]
<a href="#">97581507</a>		<a href="#">PDF</a>	Surface mounting enclosure for 2 beacons with 37mm (PG29) mounting installation			14.17 g [0.5 oz]
<a href="#">97581508</a>		<a href="#">PDF</a>	Surface mounting enclosure for 3 beacons with 37mm (PG29) mounting installation			17g [0.6 oz]
<a href="#">97581522</a>		<a href="#">PDF</a>	Anti-twist washer for beacons with 37mm (PG29) mounting installation		304 Stainless steel	0.57 g [0.02 oz]
<b>Freestanding Beacon Accessories</b>						
<a href="#">96000001</a>		<a href="#">PDF</a>	Bracket for tube mounting - for use with for use with 219 and 209 series industrial signal beacons.	-4 to 122°F [-20 to 50°C]	Polyamide	57g [2.01 oz]
<a href="#">97520901</a>		<a href="#">PDF</a>	Plastic Base with integrated tube for WERMA industrial signal beacons- for use with 209 and 219 series beacons		Polyamide	0.1 lbs [1.6 oz]
<a href="#">97520902</a>		<a href="#">PDF</a>	Cable gland for WERMA industrial signal beacons: M25x1.5, plastic - for use with 209 and 219 series industrial signal beacons		Nylon	0.1 lbs [1.6 oz]
<a href="#">97582603</a>		<a href="#">PDF</a>	Galvanized Wire Guard for WERMA industrial signal beacons - for use with 826, 827, 828 and 829 series industrial signal beacons		Wire D 3mm, chromed	140g [4.93 oz]
<a href="#">97582605</a>		<a href="#">PDF</a>	Plastic Bracket for wall mounting for use with WERMA signal beacons - for use with 826, 827, 828 and 829 series industrial signal beacons		Polycarbonate/ ABS blend	62g [2.19 oz]

