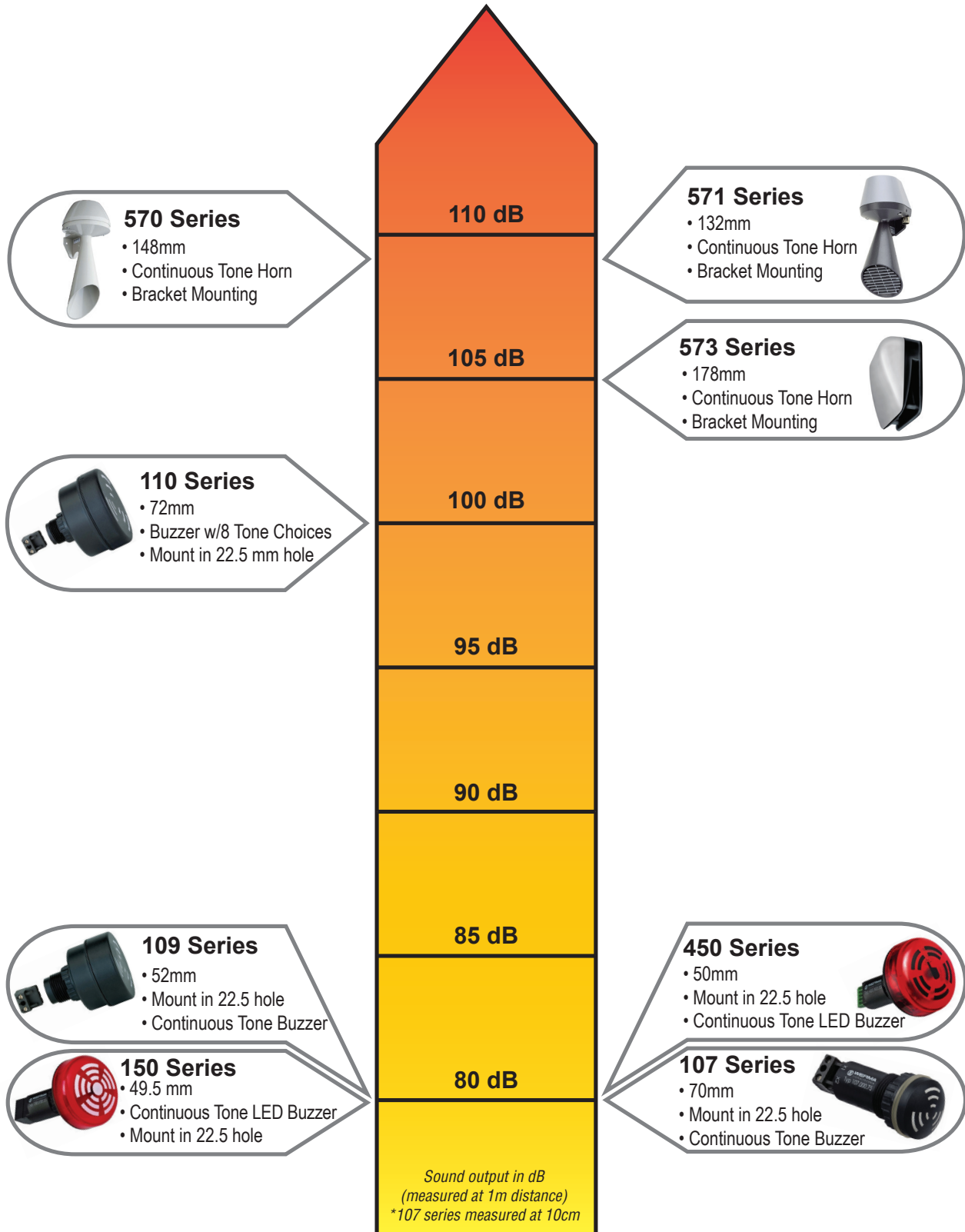




## Product Family Overview





## 22.5 mm Panel-mount Electrical Buzzers

- Mount in 22.5 mm hole
- Fourteen models available
- Continuous and pulse-tone models
- 80 to 100 decibels
- Buzzer without sound output holes
- Low current consumption
- High IP65 protection rating



107 Series Buzzer Specifications				
Part Number	10700075	10700077	10701075	10701077
Price				
Drawing Link	<a href="#">PDF</a>	<a href="#">PDF</a>	<a href="#">PDF</a>	<a href="#">PDF</a>
Description	Buzzer			
Voltage	24V AC/DC	115V AC/DC	24V AC/DC	115V AC/DC
Current Consumption	≤ 8mA			
Tone Frequency	2.4 kHz			
Maximum Volume	80dB @ 10cm			
Tone Type	Continuous		Pulse, approx.1Hz	
Life Duration	> 5000h			
Operating Temperature	-4 to 122°F [-20 to 50°C]			
Protection	IP65			
Weight	30g [1.06 oz]			
Housing Material	Polyamide Fiberglass			
Connection	Connector with max. wire 1.5 mm <sup>2</sup> (16AWG), 0.3 N torque			
Agency Approvals	cULus file E164155, CE, RoHS			

To obtain the most current agency approval information, see the Agency Approval Checklist section



109 Series Buzzer Specifications				
Part Number	10900075	10900077	10901075	10901077
Price				
Drawing Link	<a href="#">PDF</a>	<a href="#">PDF</a>	<a href="#">PDF</a>	<a href="#">PDF</a>
Description	Buzzer			
Voltage	24V AC/DC	115V AC/DC	24V AC/DC	115V AC/DC
Current Consumption	≤ 25mA			
Tone Frequency	2.1 kHz			
Maximum Volume	80dB @ 1m			
Tone Type	Continuous		Pulse, approx. 1Hz	
Life Duration	> 5000h			
Operating Temperature	-4 to 122°F [-20 to 50°C]			
Protection	IP65			
Weight	44g [1.55 oz]	47g [1.66 oz]	44g [1.55 oz]	47g [1.66 oz]
Housing Material	Polycarbonate (PC)/ABS, (black)			
Connection	Connector with max. wire 1.5 mm <sup>2</sup> (16AWG), 0.3 N torque			
Agency Approvals	cULus file E164155, CE, RoHS			

## 22.5 mm Panel-mount Electrical Buzzers

### Buzzer without sound output holes

- Mount in 22.5 mm hole
- 8 selectable tones
- Adjustable volume, 100 decibels maximum at one meter



110 Series Buzzer Specifications		
Part Number	11000067	11000075
Price		
Drawing Link	<a href="#">PDF</a>	<a href="#">PDF</a>
Description	Buzzer Element with selectable tones	
Voltage	115VAC	24V AC/DC
Current Consumption	≤ 40mA	≤ 80mA
Tone Frequency	1.6 and 3.4 kHz	
Maximum Volume	100dB @ 1m	
Tone Type	Multi-tonal, 8 selectable tones	
Life Duration	> 5000h	
Operating Temperature	-4° F to 122° F [-20° C to 50° C]	
Protection	IP65	
Weight	79g [2.79 oz]	64g [2.26 oz]
Housing Material	Polycarbonate (PC)/ABS	
Connection	Connector with max. wire 1.5 mm <sup>2</sup> (16AWG), 0.3 N torque	
Agency Approvals	cULus file E164155, CE, RoHS	

Note: Refer to insert for available tones.

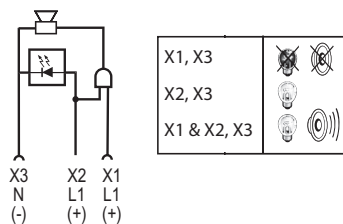
To obtain the most current agency approval information, see the Agency Approval Checklist section

- Mount in 22.5 mm hole
- LED permanent light indicator
- Continuous tone
- Simple con with connector plug
- 80 decibels volume at one meter



150 Series Buzzer with LED Indicator Specifications				
Part Number	15010055	15010067	15030055	15030067
Price				
Drawing Link	<a href="#">PDF</a>	<a href="#">PDF</a>	<a href="#">PDF</a>	<a href="#">PDF</a>
Description	Buzzer element with LED indicator			
LED Indicator	Red		Yellow	
Voltage	24VDC	115VAC	24VDC	115VAC
Current Consumption	≤ 50mA	≤ 20mA	≤ 50mA	≤ 20mA
Tone Frequency	2.8 kHz			
Maximum Volume	80dB @ 1m			
Tone Type	Continuous			
Life Duration	Up to 50,000h			
Operating Temperature	-4 to 122° F [-20 to 50° C]			
Protection	IP65			
Weight	30g [1.06 oz]	30g [1.06 oz]	30g [1.06 oz]	30g [1.06 oz]
Housing Material	Cap: Polycarbonate. Base: Polycarbonate (PC)/ABS - black			
Connection	Connector with max. wire 1.5 mm <sup>2</sup> (16AWG), 0.3 N torque			
Agency Approvals	cULus file E164155, CE, RoHS			

## Wiring Diagram



Note: Buzzer will not sound without light energized.

## 22.5 mm Panel-mount Electrical Buzzers with Acknowledgment Function

### Buzzer without sound output holes

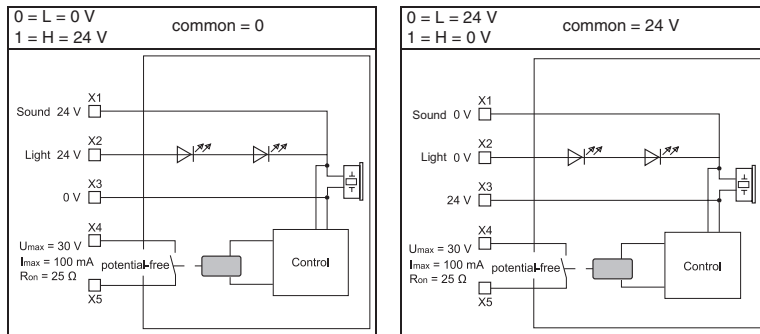
- Mount in 22.5 mm hole
- LED permanent light with continuous tone
- 80 decibels volume at one meter
- Lightly press to silence the audible signal
- Potential-free output for transmission of the acknowledgment signal to the control unit
- Positive and negative logic



450 Series Buzzer Specifications		
Part Number	45010055	45030055
Price		
Drawing Link	<a href="#">PDF</a>	<a href="#">PDF</a>
Description	Buzzer element with acknowledgment function	
LED Indicator Color	Red	Yellow
Voltage	24V /DC	
Current Consumption	≤ 0mA	
Tone Frequency	3kHz	
Maximum Volume	80dB @ 1m	
Max. Output (acknowledgment)	Solid State 30V, 100mA	
Tone Type	Continuous	
Life Duration	> 50,000h	
Operating Temperature	-4 to 122°F [-20 to 50°C]	
Protection	IP65	
Weight	40g [1.41 oz]	
Housing Material	Cap: Polycarbonate. Body: Black Polycarbonate	
Connection	Connector plug with screwable connection max. 0.5 mm <sup>2</sup> (20AWG)	
Agency Approvals	cULus file E164155, CE, RoHS	

To obtain the most current agency approval information, see the Agency Approval Checklist

## Wiring Diagram



**1**

**BEEP - BEEP - BEEP**  
**LIGHT**  
**LIGHT**  
**BEEP - BEEP - BEEP**

An initial alarm is indicated by both an illuminated and audible signal.

**2**

**BEEP - BEEP - BEEP**  
**LIGHT**  
**LIGHT**  
**BEEP - BEEP - BEEP**

The audible signal can be silenced quickly by lightly pressing on the front of the indicator.

**3**

**LIGHT**  
**LIGHT**

An acknowledge signal is then transmitted via an electronic switch, and the alarm is now only indicated by the illuminated visual signal.



## Bracket-mount Signal Horns

### Features

- Bracket mounting
- Continuous tone
- 148mm diameter



570 Series Signal Horns Specifications		
<b>Part Number</b>	<a href="#">57005255</a>	<a href="#">57005267</a>
<b>Price</b>		
<b>Drawing Link</b>	<a href="#">PDF</a>	<a href="#">PDF</a>
<b>Description</b>	Signal Horn	
<b>Voltage</b>	24VDC	115VAC
<b>Current Consumption</b>	350mA	200mA
<b>Tone Frequency</b>	150Hz	100Hz (supply frequency)
<b>Maximum Volume</b>	108dB @ 1m	
<b>Tone Type</b>	Continuous	
<b>Life Duration</b>	> 250h	
<b>Operating Temperature</b>	-20°C to 60°C [-4° to 140°F]	
<b>Protection</b>	IP55	
<b>Weight</b>	880g [31.04 oz]	860g [30.34 oz]
<b>Housing Material</b>	ABS/PC	
<b>Connection</b>	Screwable con max. 2.5 mm <sup>2</sup> single wire, 18-14 AWG	
<b>Agency Approvals</b>	CE, RoHS	

To obtain the most current agency approval information, see the Agency Approval Checklist section on the specific part number's web page at [www.AutomationDirect.com](http://www.AutomationDirect.com)



## Bracket-mount Signal Horns

### Features

- Corrosion-resistant aluminum housing, salt water proof
- Bracket mounting
- Continuous tone
- 132mm diameter



571 Series Signal Horns Specifications		
<b>Part Number</b>	<u>57105255</u>	<u>57105267</u>
<b>Price</b>		
<b>Drawing Link</b>	<a href="#">PDF</a>	<a href="#">PDF</a>
<b>Description</b>	Signal Horn	
<b>Voltage</b>	24VDC	115VAC
<b>Current Consumption</b>	350mA	200mA
<b>Tone Frequency</b>	150Hz	100Hz (supply frequency)
<b>Maximum Volume</b>	108dB @ 1m	
<b>Tone Type</b>	Continuous	
<b>Life Duration</b>	> 250h	
<b>Operating Temperature</b>	-20 to 60°C [-4 to 140°F]	
<b>Protection</b>	IP55	
<b>Weight</b>	880g [31.04 oz]	860g [30.34 oz]
<b>Housing Material</b>	Aluminum	
<b>Connection</b>	Screwable con max. 2.5 mm <sup>2</sup> single wire, 18-14 AWG	
<b>Agency Approvals</b>	CE, RoHS	

### Features

- Modern electro-mechanical design
- Bracket mounting
- Continuous tone
- 178mm diameter



573 Series Signal Horns Specifications		
<b>Part Number</b>	<u>57300055</u>	<u>57300067</u>
<b>Price</b>		
<b>Drawing Link</b>	<a href="#">PDF</a>	<a href="#">PDF</a>
<b>Description</b>	Signal Horn	
<b>Voltage</b>	24VDC	115VAC
<b>Current Consumption</b>	350mA	200mA
<b>Tone Frequency</b>	150Hz	100Hz (supply frequency)
<b>Maximum Volume</b>	105dB @ 1m	
<b>Tone Type</b>	Continuous	
<b>Life Duration</b>	> 250h	
<b>Operating Temperature</b>	-30°C to 50°C [-22° to 122°F]	
<b>Protection</b>	IP65	
<b>Weight</b>	1200g [42.33 oz]	1150g [40.57 oz]
<b>Housing Material</b>	Polycarbonate/ABS-blend	
<b>Connection</b>	Screwable con max. 2.5 mm <sup>2</sup> single wire, 18-14 AWG	
<b>Agency Approvals</b>	CE, RoHS	

To obtain the most current agency approval information, see the Agency Approval Checklist section on the specific part number's web page at [www.AutomationDirect.com](http://www.AutomationDirect.com)