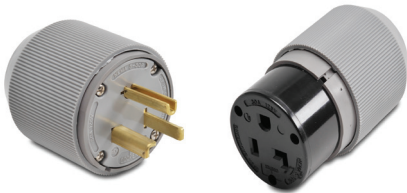


Features

- Internal Triple-Gripper® cord clamp with unique “radius teeth” design automatically centers and secures the cord
- Tough impact- and chemical-resistant nylon housing
- Double-wall construction
- Combination Phillips/slotted captive terminal screws
- Transparent terminal cover with clear window and teardrop wiring pockets to ease insertion of stranded wire and to make solid connections
- Captive, quick-thread assembly screws backed out, ready for assembly
- Copper wire only
- Insulated design shields exposed metal parts on hand-held side
- Integral thermoplastic elastomer dust seal surrounds cord to help prevent moisture and contaminants from entering the wiring chamber
- Ratings stamped on straight blade devices visible while in use (15 and 20A)
- Face and body feature contrasting key for correct and easy assembly every time
- Universal cord grip design accepts 0.300” to 0.655” (7.6 to 16.6 mm) cord without inserts or adapters (15 and 20A); 0.425” to 1.320” (10.80 to 33.5 mm)



BRY5266NP **BRY5269NC**



9530NP **9530NC**

Agency Approvals




- UL File E2258 (Receptacle), E1381, E3382
- (Plug, Connector)
- CSA Certified 16215

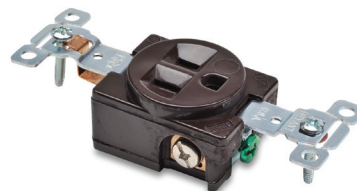
15 Amp Straight Devices									
Poles	NEMA #	Voltage	Configuration	Plug Part No.	Style	Price	Connector Part No.	Style	Price
2-Pole 3-Wire	5-15	125V	 5-15R 5-15P	BRY5266NP			BRY5269NC		
	6-15	250V	 6-15R 6-15P	BRY5666NP			BRY5669NC		

20 Amp Straight Devices									
Poles	NEMA #	Voltage	Configuration	Plug Part No.	Style	Price	Connector Part No.	Style	Price
2-Pole 3-Wire	5-20	125V	 5-20R 5-20P	BRY5366NP			BRY5369NC		
	6-20	250V	 6-20R 6-20P	BRY5466NP			BRY5469NC		




30 Amp Straight Devices									
Poles	NEMA #	Voltage	Configuration	Plug Part No.	Style	Price	Connector Part No.	Style	Price
2-Pole 3-Wire	5-30	125V	 5-30R 5-30P	9530NP			9530NC		
	6-30	250V	 6-30R 6-30P	9630NP			9630NC		

BRYANT® Wiring Devices – Single Straight Blade Receptacles

15 Amp Single Receptacles						
Poles	NEMA #	Voltage	Configuration	Part Number	Style	Price
2 Pole 3 Wire	5-15	125V	 5-15R	5251		
	6-15	250V	 6-15R	5661		






5251

20 Amp Single Receptacles						
Poles	NEMA #	Voltage	Configuration	Part Number	Style	Price
2 Pole 3 Wire	5-20	125V	 5-20R	5361		
	6-20	250V	 6-20R	5461		



5361

30 Amp Single Receptacles						
Poles	NEMA #	Voltage	Configuration	Part Number	Style	Price
2 Pole 3 Wire	5-30	125V	 5-30R	9530FR		
	6-30	250V	 6-30R	9630FR		



9530FR

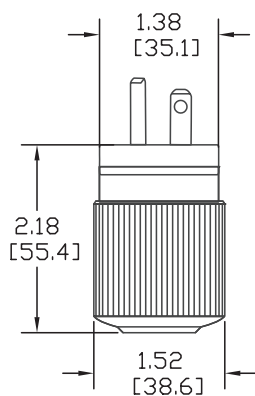
Wiring Devices – Straight Blade Plugs / Connectors / Receptacles Specifications and Drawings

Straight Blade Devices General Specifications					
Part Type	Maximum Working Voltage	Operating/Storage Temperature	Terminal Accommodation	Cord Grip Range	Torque Specifications
Plug	250VAC/DC	Maximum of 140°F (60°C) continuous, minimum of -40°F (-40°C) without impact	15/20 Amp Fork slot = 0.390 x 0.060 terminal screw #8	15/20 amp = 0.245"-0.655" (6.2-16.6mm)	15/20 amp = Terminal screw 12-14 lb-in (1.4-1.6 N-m) Assembly screw 12 lb-in (1.3 N-m)
Connector				30 amp = 0.425"-0.1.320" (10.8-33.5mm)	30 amp = Terminal screw 20-24 lb-in (2.26-2.712 N-m) Assembly screw 10-12 lb-in (1.2-1.356 N-m)
			Single Receptacle (15 & 20 amp)	#18 - #10 AWG Flexible Cord (copper wire)	15/20 amp = 0.245"-0.655" (6.2-16.6mm)
Single Receptacle (30 amp)				Fork slot = 0.400 x 0.060 terminal screw #10 #14 - #10 AWG (solid or stranded copper wire)	N/A
Duplex Receptacle (15 & 20 amp)			Fork slot = 0.400 x 0.060 terminal screw #10 #14 - #8 AWG (solid or stranded copper wire)	N/A	30 amp = Terminal screw 25 lb-in (3.0 N-m)
			Fork slot = 0.400 x 0.060 terminal screw #10 #14 - #10 AWG (copper conductors only)	N/A	15/20 amp = Terminal screw 14 lb-in (1.6 N-m)

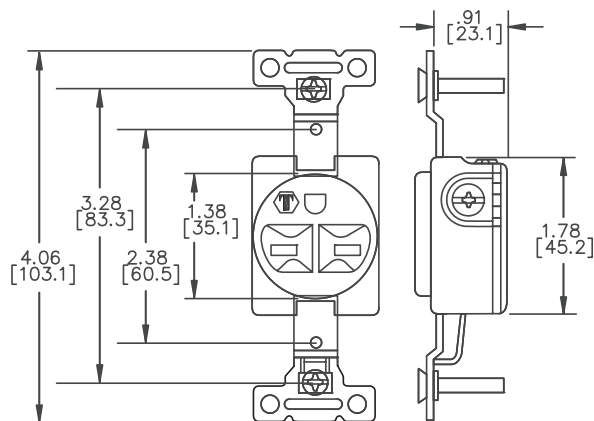
Dimensions inches [mm]

15/20 Amp

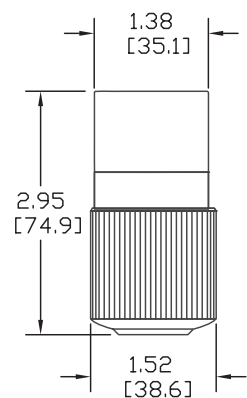
Single Straight Blade Plug



Single Straight Blade Receptacle



Single Straight Blade Connector



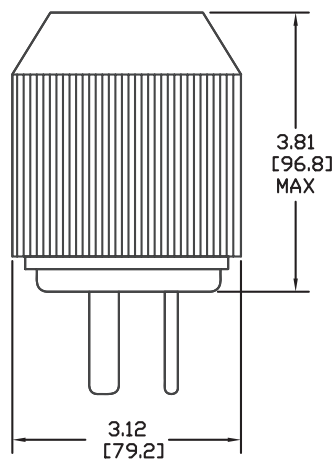
Wiring Devices – Straight Blade Plugs / Connectors / Receptacles Specifications and Drawings

Dimensions

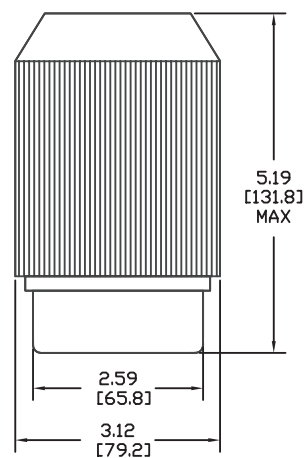
inches [mm]

30 AMP

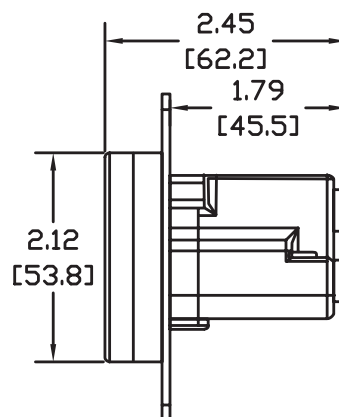
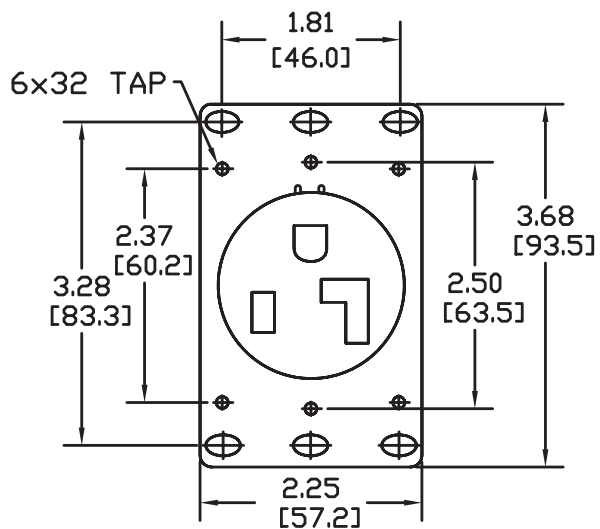
Single Straight Blade Plug



Single Straight Blade Connector



Single Straight Blade Receptacle



Wiring Devices – Technical Information

Reference material only. Please see Wiring Section in the catalog for product part number.

Mechanical And Electrical Properties Of Materials							
Properties	6/6 Nylon	6 Nylon	Polycarbonate	PC/PET	Phenolic	Urea	
Tensile Strength (PSI)	11,000	6,000*	9,000	6,000	6,500-10,000	5,500-13,000	
Elongation (%)	300+*	300*	130	120	0.4 - 0.8	0.5 - 1.0	
Flex. Mod. (Stiffness)(PSI)	175,000*	140,000*	340,000	325,000	1,000,000	1,500,000	
Izod (Notched) ft.-lb./in.	2.1 lb-in [0.24 Nm]*	3.0 lb-in [0.34 Nm]*	15.0 lb-in [1.7 Nm]	12.0 lb-in [1.36Nm]	0.3 to 1.9 lb-in [.034 to 0.21 Nm]	0.25 to 0.4 lb-in [0.03 to 0.05 Nm]	
Hardness Rockwell	59M* 108R*	- 119R	70M 118R	- 115R	105-120M -	110-120M -	
Heat Deflection Temperature	66 PSI	464°F (240°C)	370°F (187.7°C)	-	265°F (129.4°C)	-	
	264 PSI	194°F (90°C)	185°F (85°C)	270°F (132°C)	260°F (126.6°C)	400°F (204.4°C)	260 to 290°F (126.6 to 143.3°C)
UL Thermal Index	Electrical	257°F (125°C)	257°F (125°C)	257°F (125°C)	221°F (105°C)	302°F (150°C)	212°F (100°C)
	Mechanical w/ Impact	167°F (75°C)	167°F (75°C)	239°F (115°C)			
	Mechanical w/o Impact	185°F (85°C)	185°F (85°C)	257°F (125°C)			
Flame Class UL 94	V-2	V-2	V-2	V-0	HB-V0	HB-V0	
Dielectric V/mil	600	400	380	307	200-400	300-400	
Specific Gravity	1.14	1.13	1.2	1.33	1.4	1.5	
UL Comparative Tracking Index (Volts)	600+	600+	250+	230	175+	600+	

*Conditioned to 50% relative humidity

Chemical Resistance Of Materials				
Chemical	Nylon	Phenolic	Urea	Polycarbonate
Acids	C	B	B	A
Alcohol	A	A	A	B
Caustic Bases	A	B	B	C
Gasoline	A	A	C	A
Grease	A	A	A	B
Kerosene	A	A	A	A
Oil	A	A	A	B
Solvents	A	A	A	C
Water	A	A	A	A

Note: A - Completely resistant. Good to excellent, general use.
 B - Resistant. Fair to good, limited service.
 C - Slow attack. Not recommended for use.

Wiring Devices – Technical Information

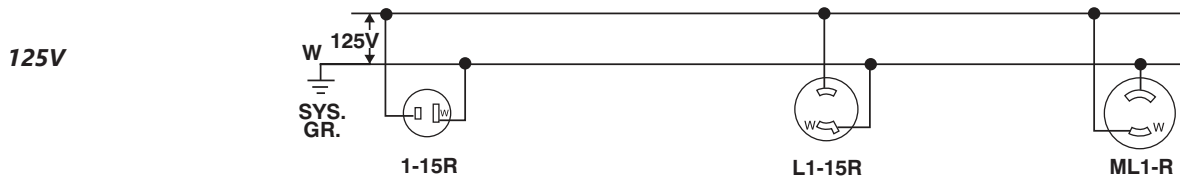
Table III - Horsepower Ratings			
NEMA Configuration	AC HP Rating**	Nema Configuration	AC HP Rating**
1-15	0.5	L1-15	0.5
2-15	1.5	L2-20	2
2-20	2	L5-15	0.5
2-30	2	L5-20	1
5-15	0.5	L5-30	2
5-20	1	L6-15	1.5
5-30	2	L6-20	2
5-50	2	L6-30	2
6-15	1.5	L7-15	2
6-20	2	L7-20	2
6-30	2	L7-30	3
6-50	3	L8-20	3
7-15	2	L8-30	5
7-20	2	L10-20	2 L-L/1 L-N
7-30	3	L10-30	2 L-L/2 L-N
7-50	5	L11-15	2
10-20	2 L-L/1 L-N	L11-20	3
10-30	2 L-L/2 L-N	L11-30	3
10-50	3 L-L/2 L-N	L12-20	5
11-15	2	L12-30	10
11-20	3	L14-20	2 L-L/1 L-N
11-30	3	L14-30	2 L-L/2 L-N
11-50	7.5	L15-20	3
14-15	1.5 L-L/0.5 L-N	L15-30	3
14-20	2 L-L/1 L-N	L16-20	5
14-30	2 L-L/2 L-N	L16-30	10
14-50	3 L-L/2 L-N	L18-20	2
14-60	3 L-L/2 L-N	L18-30	3
15-15	2	L19-20	5
15-20	3	L19-30	10
15-30	3	L21-20	2
15-50	7.5	L21-30	3
15-60	10	L22-20	5
18-15	2	L22-30	10
18-20	2		
18-30	3		
18-50	7.5		
18-60	7.5		

**The phase-to-phase horsepower ratings are noted by “L-L”. The phase-to-neutral ratings are identified by “L-N”

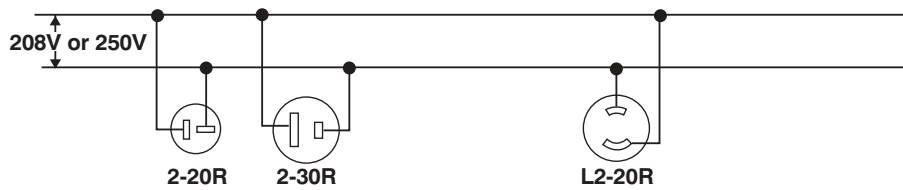
Wiring Devices – NEMA Wiring Diagrams

Reference material only. Please see Wiring Section in the catalog for product part number.

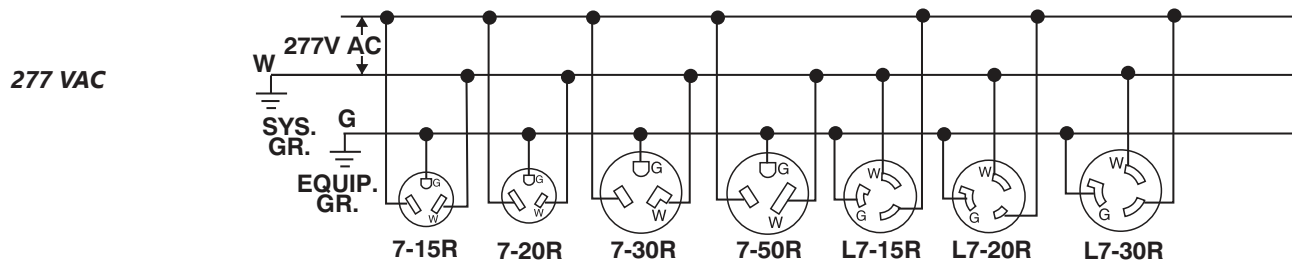
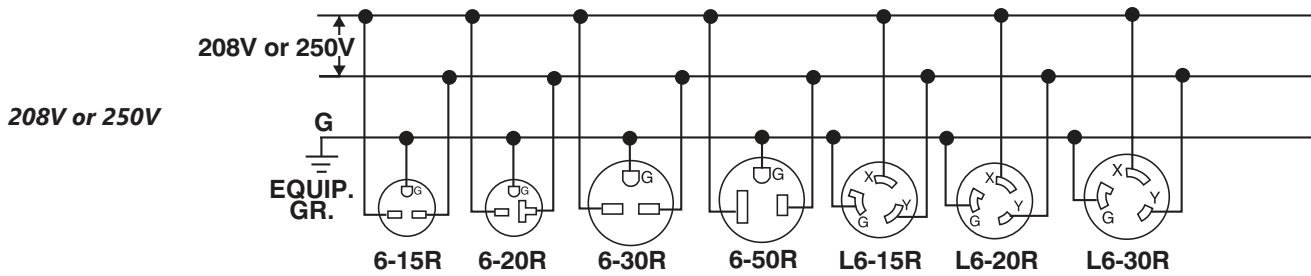
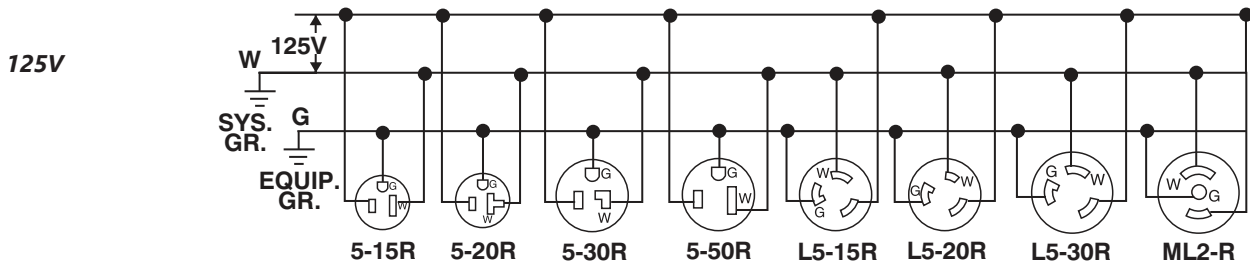
2-Pole 2-Wire



208V or 250V

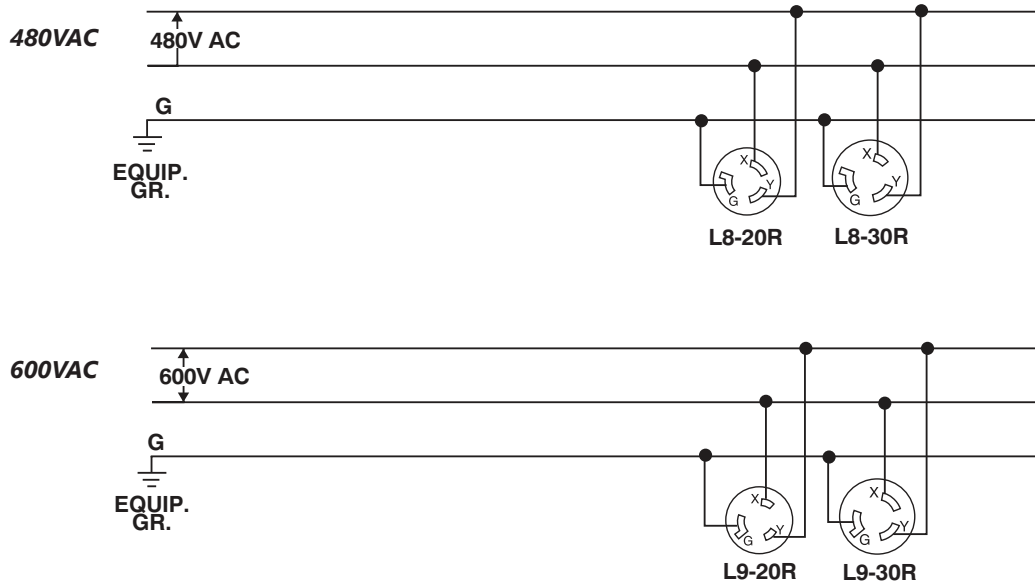


2-Pole 3-Wire Grounding

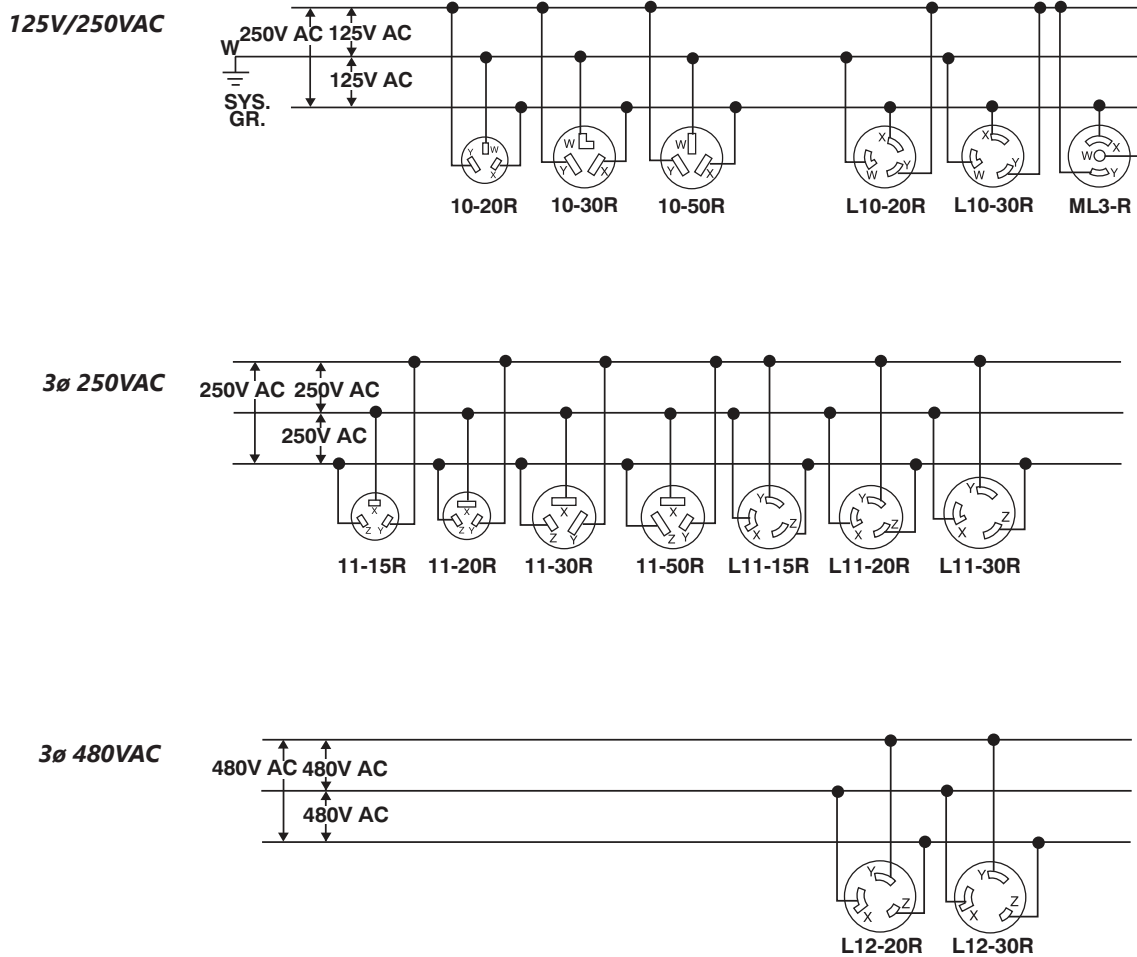


Wiring Devices – NEMA Wiring Diagrams

2-Pole 3-Wire Grounding

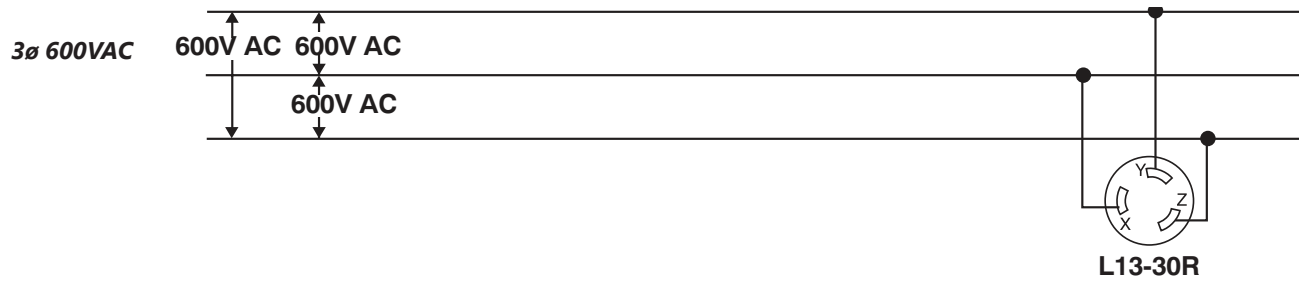


3-Pole 3-Wire

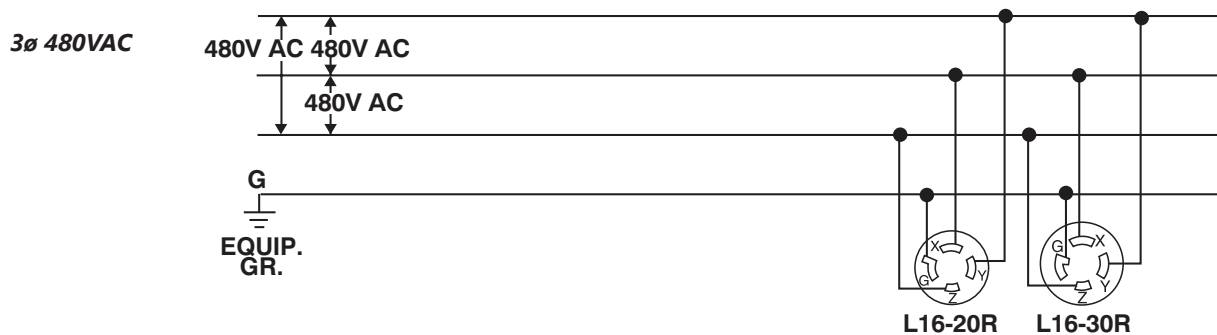
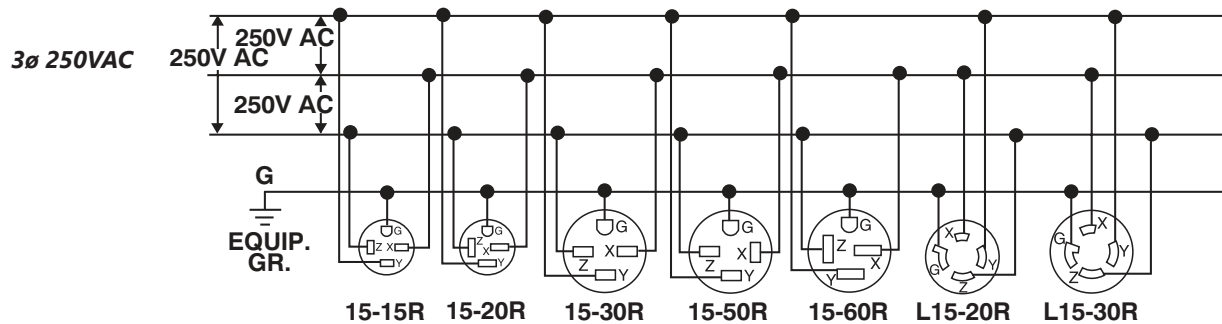
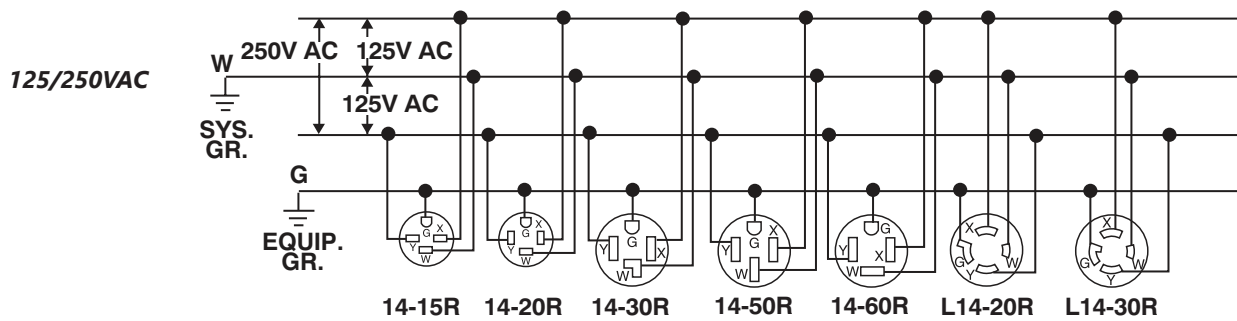


Wiring Devices – NEMA Wiring Diagrams

3-Pole 3-Wire Continued

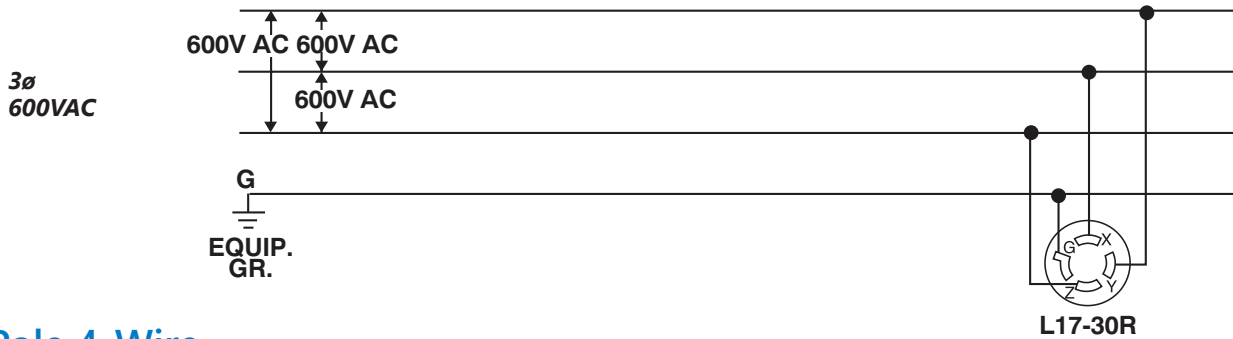


3-Pole 4-Wire Grounding

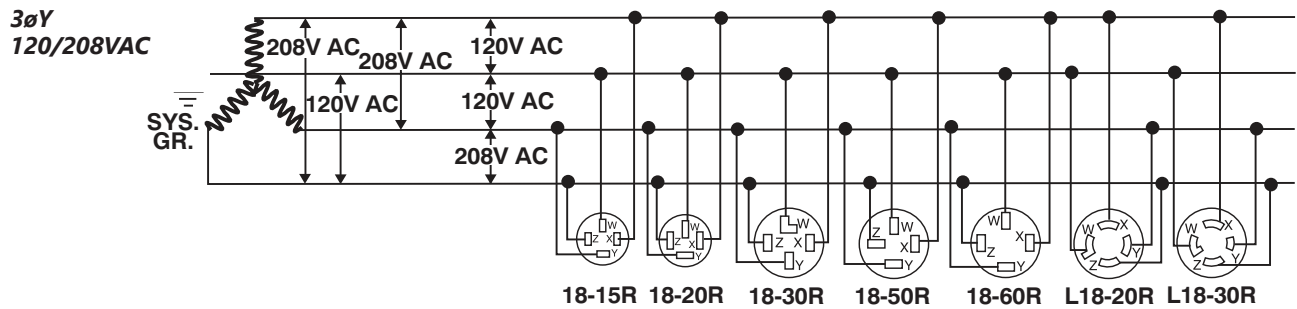


Wiring Devices – NEMA Wiring Diagrams

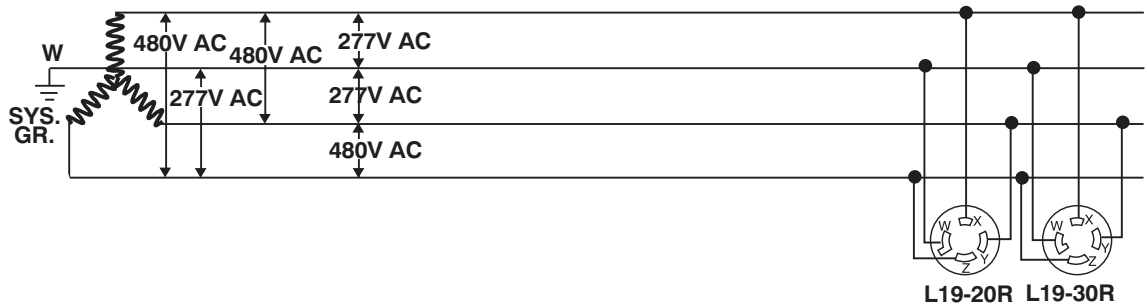
3-Pole 4-Wire Grounding Continued



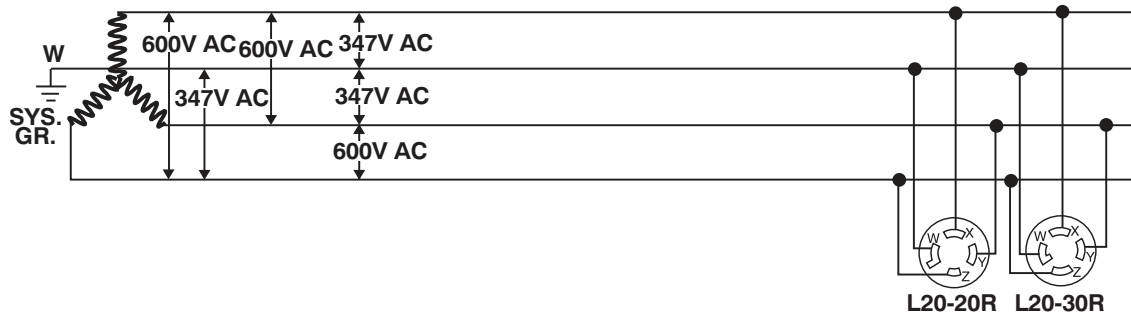
4-Pole 4-Wire



3 ϕ Y
277/480VAC



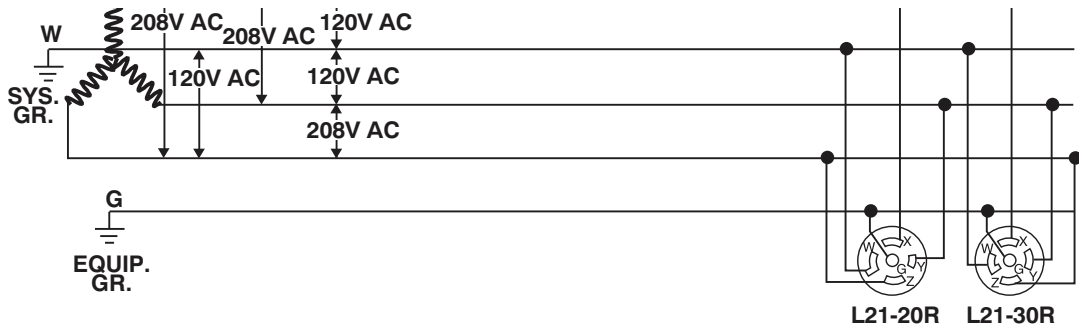
3 ϕ Y
347/600VAC



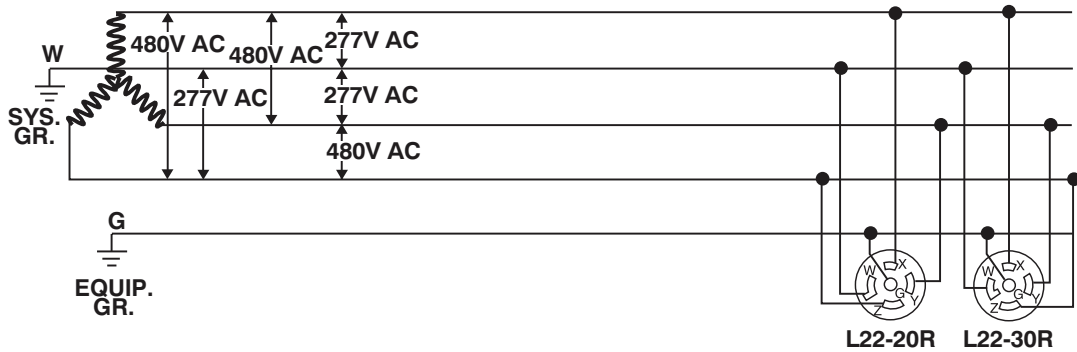
Wiring Devices – NEMA Wiring Diagrams

4-Pole 5-Wire Grounding

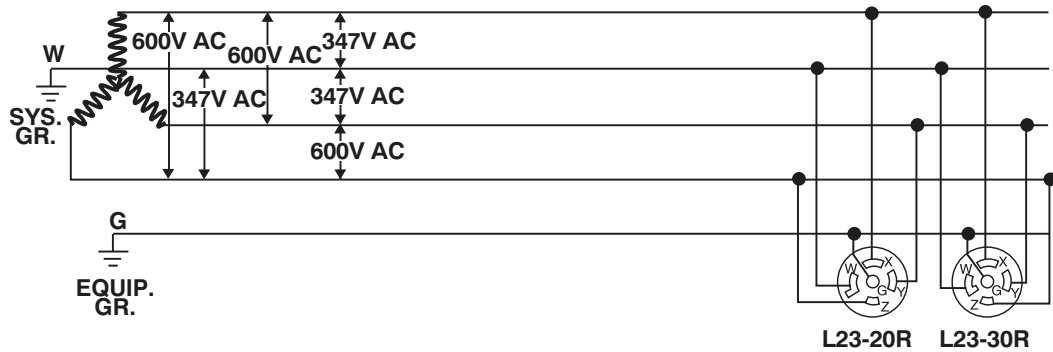
3 ϕ Y
120/208VAC



3 ϕ Y
277/480VAC



3 ϕ Y
347/600VAC



BRYANT® Wiring Devices – Accessories

Features

Nylon Angle Adapter

- Converts 20A and 30A nylon locking plugs and connectors into space saving angle devices
- Adapters permit wire to exit parallel to the receptacle; eliminating space needed for wire to bend

Weather Protective Boots; 5200 Series

- For use with Bryant 15 and 20 Amp straight blade plugs and connectors and 15 Amp locking plug and connectors
- Help prevent moisture, dust and other contaminants from infiltrating plugs and connectors
- Available in high visibility yellow or standard black
- Thermoplastic elastomer construction
- Excellent ozone and weather resistance
- Resistant to deterioration by oils and heat
- IP 55 Suitability when installed and used properly with plug and connector body combinations
- Connector sealing ring provides extra protection when plug and connector are not mated
- Ribbed exterior provides firm grip

Weather Protective Boots; 7200 Series

- For use with Bryant 20 and 30 Amp locking plugs and connectors
- Help prevent moisture, dust and other contaminants from infiltrating plugs and connectors
- Chemical/UV-resistant construction
- Available in high visibility yellow or standard black
- Ribbed exterior provides firm grip
- Sealing ring seals connector when not mated
- For use with Bryant Triple Gripper® 20 and 30 Amp nylon plugs and connectors
- IP 55 Suitability when installed and used properly with plug and connector body combinations

Stainless Steel Cover Plates

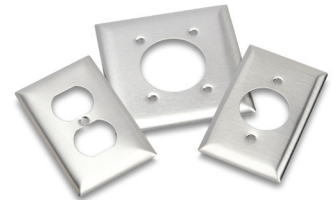
Approvals

- UL File E31999*
- CSA Certified 18416*



*Approvals for stainless steel receptacle plates only.

Wiring Devices Accessories		
Part Number	Description	Price
Cover Plates		
SS8	Duplex receptacle plate, stainless steel, 15A and 20A straight blade, single-gang box	
SS7	Single receptacle plate, stainless steel, 15A and 20A straight blade, 15A locking, single-gang box	
SS723	Single receptacle plate, stainless steel, 30A straight blade, single-gang box	
SS703	Single receptacle plate, stainless steel, 30A straight blade, two-gang box	
SS720	Single receptacle plate, stainless steel, 20A and 30A locking, single-gang box	
Angle Adapter*		
70204ANA	Angle adapter for 20A and 30A locking plugs and connectors	
Weather Boots*		
5200BP	Weather boot for 15A locking, 15A straight, and 20A straight blade plugs. YELLOW thermoplastic elastomer	
5200BC	Weather boot for 15A locking, 15A straight, and 20A straight blade connector. YELLOW thermoplastic elastomer	
5200BSR	Connector boot sealing ring for 5200BC boot. YELLOW thermoplastic elastomer	
5200BPB	Weather boot for 15A locking, 15A straight, and 20A straight blade plugs. BLACK thermoplastic elastomer	
5200BCB	Weather boot for 15A locking, 15A straight, and 20A straight blade connector. BLACK thermoplastic elastomer	
5200BSRB	Connector boot sealing ring for 5200BC boot. BLACK thermoplastic elastomer	
72002BC	Weather boot for 20A and 30A locking connector. YELLOW neoprene	
72002BP	Weather boot for 20A and 30A locking plug. YELLOW neoprene	
72002BPB	Weather boot for 20A and 30A locking plugs. BLACK thermoplastic elastomer	
72002BCB	Weather boot for 20A and 30A locking connectors. BLACK thermoplastic elastomer	



Stainless Steel Receptacle Plates



Angle Adapter 70204ANA

*Angle adapter and weather boots are not UL listed or CSA certified.

BRYANT® Wiring Devices – Accessories



**72002BC
Weather Boot**

Note: Connectors shown on above installations are not included and are purchased separately.



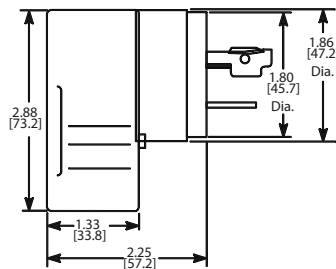
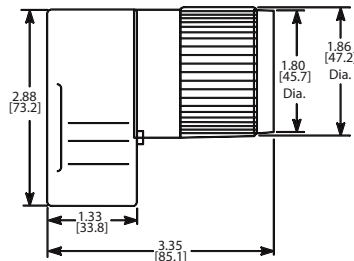
Angle Adapter 70204ANA



Dimensions

inches [mm]

Angle Adapter



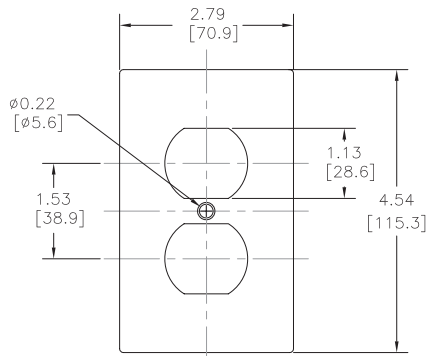
Angle Adapter

Wiring Devices – Accessories Drawings

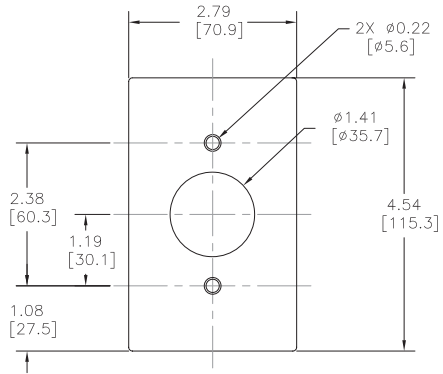
Dimensions

inches [mm]

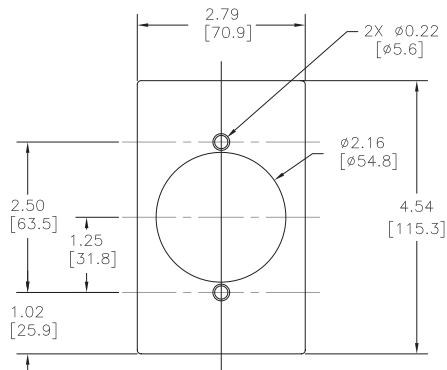
Stainless Steel Cover Plates



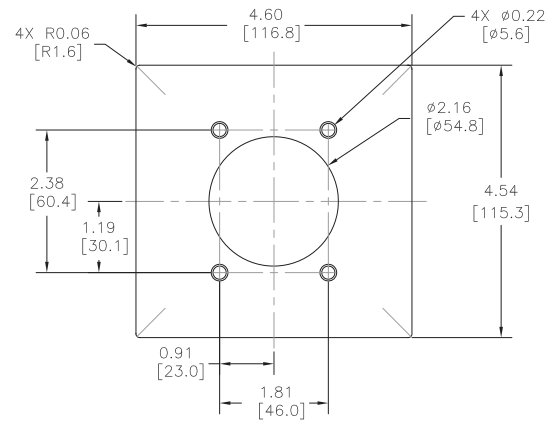
SS8



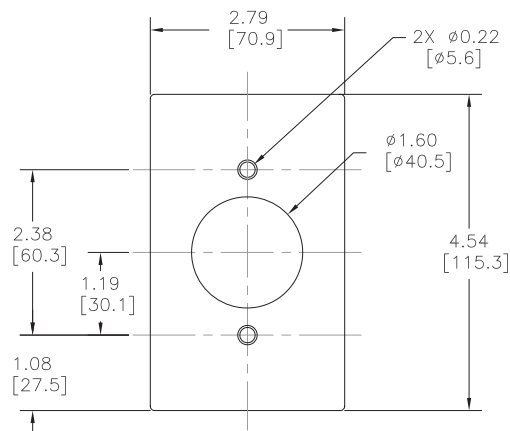
SS7



SS723



SS703



SS720