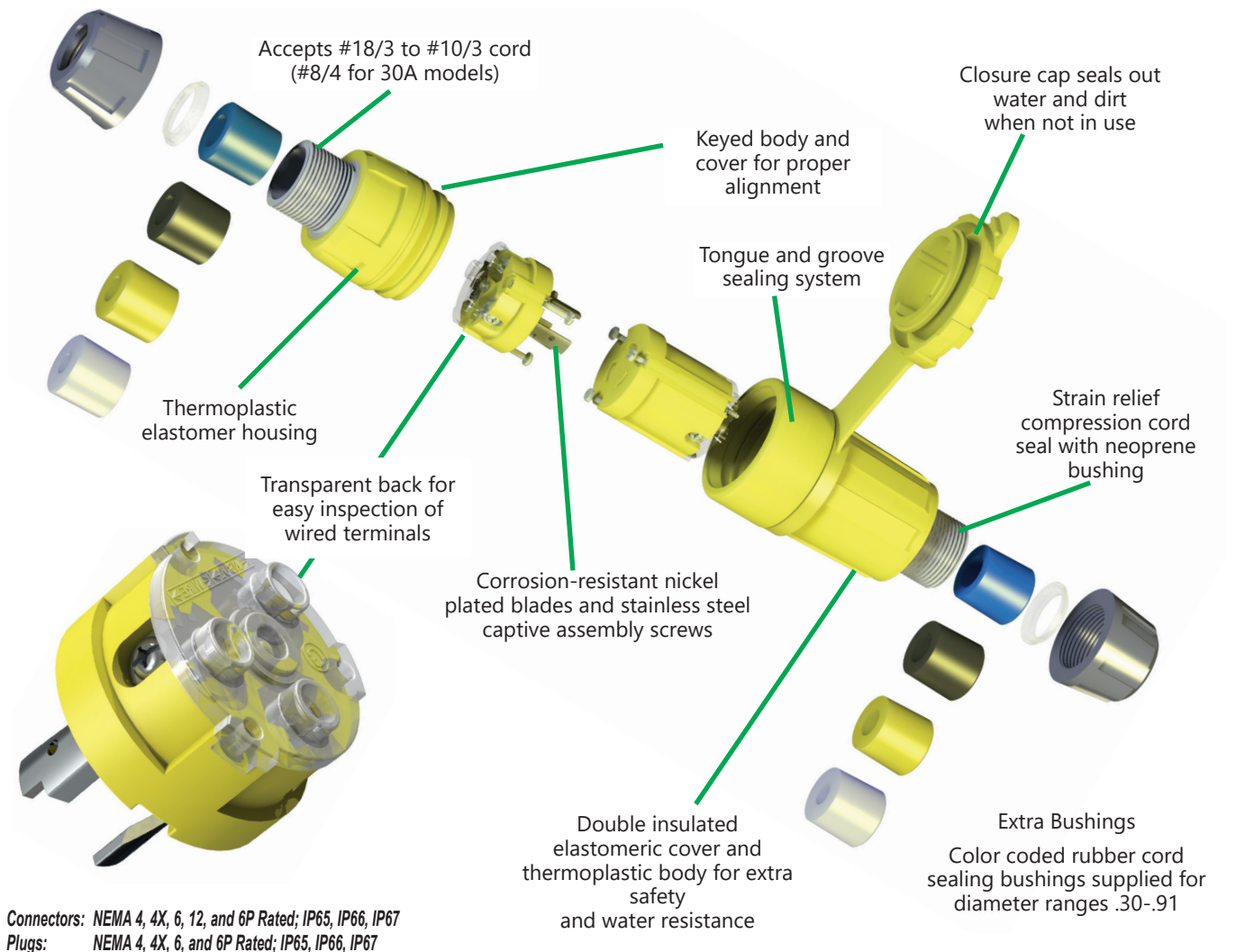
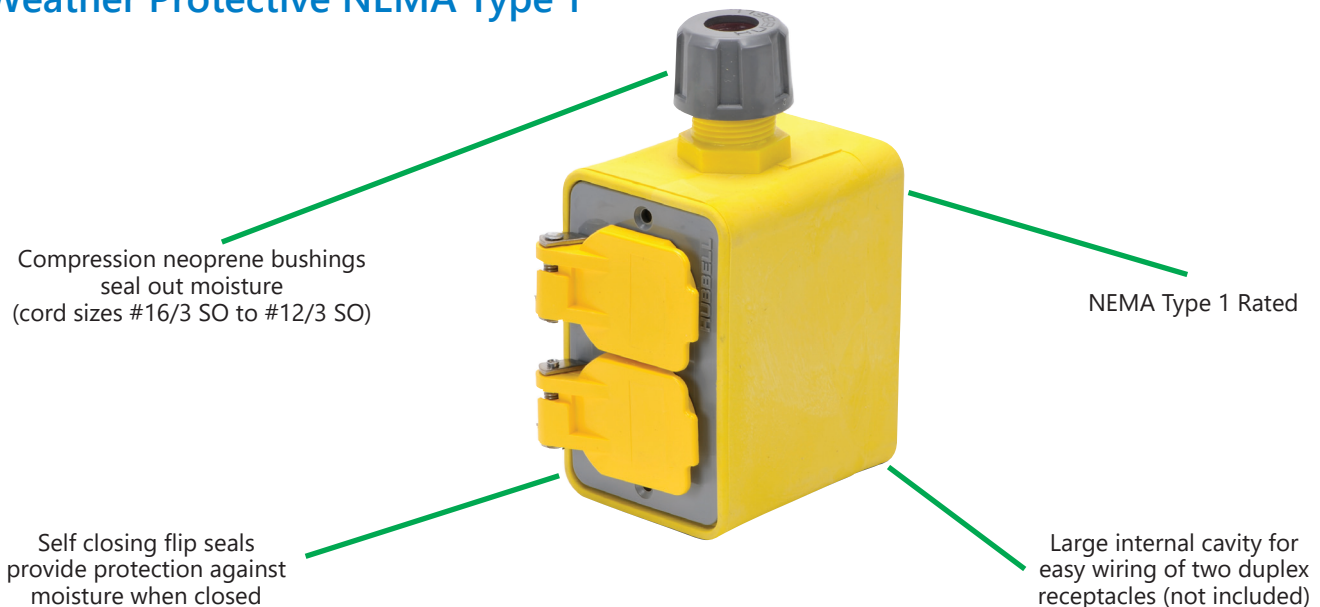


Watertight Wiring Devices - Product Features



Weather Protective NEMA Type 1



Watertight Wiring Devices - Plugs and Connectors



BRY15W33

**Connectors: NEMA 4, 4X, 6, and 6P
Rated; IP65, IP66, IP67**



BRY14W47

**Plugs: NEMA 4, 4X, 6, and 6P
Rated; IP65, IP66, IP67**

Features

- High-visibility yellow thermoplastic elastomer housing
- Rugged PBT interiors provide excellent resistance to moisture and temperature
- New cone seal prevents water from accumulating at the cable entrance
- Tongue and groove plug to connector sealing system for optimum protection
- Nickel-plated contacts and blades
- Gotcha ring for superior strain relief
- Stainless steel captive assembly screws
- Accepts multiple cord diameters
- Operating temperature -40 to 60°C [-40 to 140°F]
- Individual neoprene bushings provide watertight sealing
- 15-30 amp range up to 480VAC
- Keyed body and interior for proper alignment
- Recommended where moisture exists or frequent wash down occurs
- All exposed materials are UV stabilized
- Meets NEC requirements for "Wet & Damp Locations"
- Meets OSHA requirements

Agency Approvals/ Standards

- UL File E1706 Guide AXUT
- CSA Certified #1284294
- NSF Certified
- Meets NEMA WD-1, WD-6, and ANSI standards
- Listed to UL498

Watertight Plugs and Connectors Quick Selection Table

Poles	Amperage	NEMA #	Voltage	Configuration	Device Type	Plug Part No.	Style	Price	Connector Part No.	Style	Price
2-Pole 3-Wire	15 Amps	5-15	125VAC	 5-15R 5-15P	Straight Blade	BRY14W47			BRY15W47		
		L5-15	125VAC	 L5-15R L5-15P	Locking	BRY24W47			BRY25W47		
		L7-15	277VAC	 L7-15R L7-15P	Locking	BRY24W34			BRY25W34		
	20 Amps	5-20	125VAC	 5-20R 5-20P	Straight Blade	BRY14W33			BRY15W33		
		L5-20	125VAC	 L5-20R L5-20P	Locking	BRY26W47			BRY27W47		
		L6-20	250VAC	 L6-20R L6-20P	Locking	BRY26W48			BRY27W48		
3-Pole 4-Wire	20 Amps	L15-20	250VAC 3Ø	 L15-20R L15-20P	Locking	BRY26W75			BRY27W75		
		L16-20	480VAC 3Ø	 L16-20R L16-20P	Locking	BRY26W76			BRY27W76		
	30 Amps	L15-30	250VAC 3Ø	 L15-30R L15-30P	Locking	BRY28W75			BRY29W75		
		L16-30	480VAC 3Ø	 L16-30R L16-30P	Locking	BRY28W76			BRY29W76		

BRYANT® Watertight Wiring Devices - Plugs and Connectors

Technical Specifications

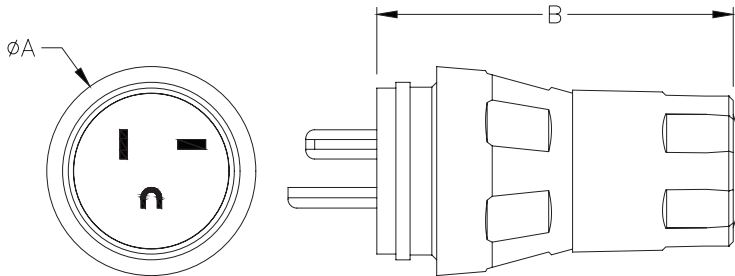
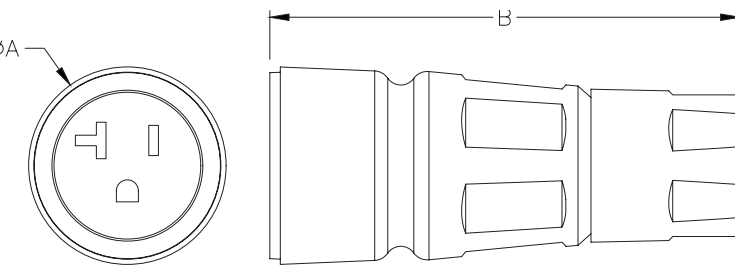
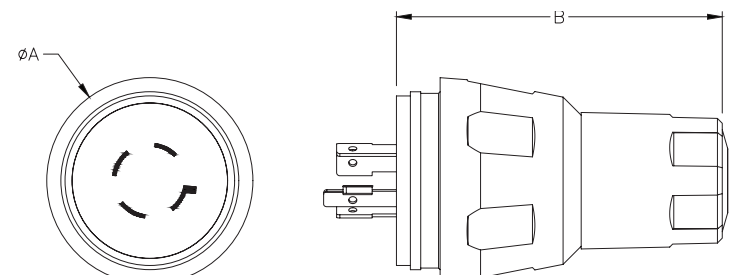
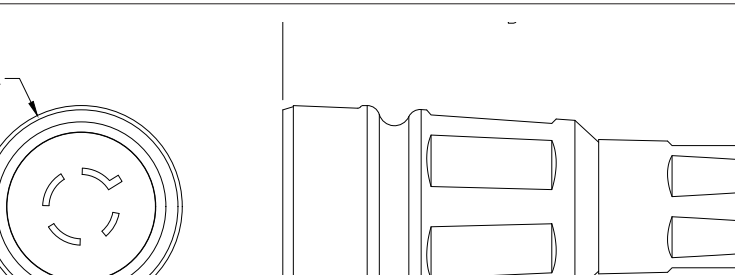
Watertight Devices Technical Specifications				
Device type	15A/20A Straight Blade 15A Locking	20A Locking	20A Locking 3-Phase	30A Locking 3-Phase
Maximum working voltage	As marked			
Operating temperature	Maximum continuous 60°C [140°F], Minimum -40°C [-40°F] (without impact)			
Terminal accommodation	16/3 SJ to 10/3 SJ, 18/3 S to 12/3 S	Min.: 16/3 SJ, 18/3 S, 18/4 SJ, 18/4 S, 18/5 S Max.: 10/3 S, 10/4 S, 10/5 S		Min.: 12/3 SJ, 16/3 S, 14/4 SJ, 18/4 S, 18/5 S Max.: 8/3 S, 8/4 S, 10/5 S
Cord diameter	0.325" to 0.625" (8.3 mm to 15.9 mm)	0.30" to 0.62" (7.62 mm to 15.75 mm)	0.325" to 0.875" (8.3 mm to 22.2 mm)	0.385" to 1.05" (9.8 mm to 26.67 mm)
Torque specifications	Wire terminal screw 12-15 lb-in (1.4-1.7 N·m) Housing assembly screw 8-10 lb-in (0.9-1.13 N·m)			
Dielectric voltage	Plugs: 2500VAC if rated 300V or less, 3500VAC if rated above 300V Connectors: 2000VAC if rated 300V or less, 3000VAC if rated above 300V			

* Each plug or connector is individually tested for watertight integrity to meet the NEMA and IP ratings.

Materials	
Blade/contact carrier	Nylon, white
Terminal retainer	Polycarbonate, clear
Housing	Thermoplastic elastomer, yellow
Housing insert	Nylon, white
Strain relief nut	PBT thermoplastic, gray
Blades/contacts	Brass, nickel plated
Terminal screws	Brass
Terminal screw size	#8-32 15A/20A Straight Blade and 15A Locking #10-32 20A and 30A Locking
Assembly screws	Stainless steel
Bushings	Thermoplastic elastomer, black
Gotcha ring	Nylon
Cone seal	Thermoplastic elastomer, black
Closure cap	Thermoplastic elastomer, yellow

Dimensions

Inches [mm]

Dimensions			
Straight Blade Plugs and Connectors	Part Number	Inches [mm]	
		DIM A	DIM B
 <p>Typical Face</p>	<u>BRY14W47</u>	1.85 [47.07]	3.16 [80.27]
	<u>BRY14W33</u>		
	<u>BRY24W47</u>	1.85 [47.07]	3.21 [81.46]
	<u>BRY24W34</u>		
 <p>Typical Face</p>	<u>BRY15W47</u>	1.85 [47.07]	4.42 [112.14]
	<u>BRY15W33</u>		
	<u>BRY25W34</u>	1.85 [47.07]	4.62 [117.22]
	<u>BRY25W47</u>		
Locking Plugs and Connectors	Part Number	Inches [mm]	
 <p>Typical Face</p>	<u>BRY26W47</u>	2.51 [63.70]	3.96 [100.69]
	<u>BRY26W48</u>		
	<u>BRY26W75</u>		
	<u>BRY26W76</u>		
	<u>BRY28W75</u>	2.77 [70.41]	3.94 [99.98]
	<u>BRY28W76</u>		
 <p>Typical Face</p>	<u>BRY27W47</u>	2.51 [63.70]	5.69 [144.55]
	<u>BRY27W48</u>		
	<u>BRY27W75</u>		
	<u>BRY27W76</u>		
	<u>BRY29W75</u>	2.77 [70.41]	5.67 [144.00]
	<u>BRY29W76</u>		

* Typical face only. Please reference Quick Selection Table for face configuration.



BRY3099

Portable Outlet Boxes Features

- Non-conductive, impact resistant thermoplastic elastomer boxes reduce the exposure to potential hazards
- Automatic centering strain relief cord clamps
- NEMA Type 1, IP44
- Cord range 0.38" to 0.50" [9.7 mm to 12.7 mm]
- For use with 15A or 20A duplex receptacles (not included)
- Flip seals protect against wet environments and moisture when closed

Weather Protective Accessories		
Part Number	Description	Price
<u>BRY3099</u>	Portable outlet box, 2 sides open to allow for up to 2 duplex receptacles, accepts cord size 0.38 to 0.5 in, NEMA 1, PBT thermoplastic elastomer housing, yellow.	
<u>BRY3056</u>	Outlet box cover with lift cover, UL Type 3R, for use with portable outlet box BRY3099 and 15A or 20A duplex receptacles (not included)	
<u>BRY3054</u>	Blank cover plate, UL Type 3R. For use with portable outlet box BRY3099.	



BRY3056



BRY3054

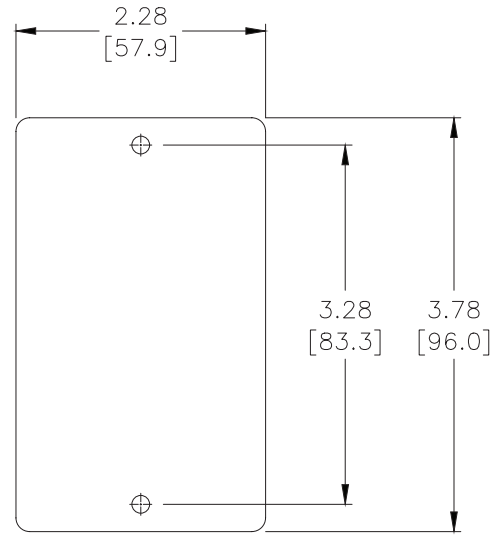
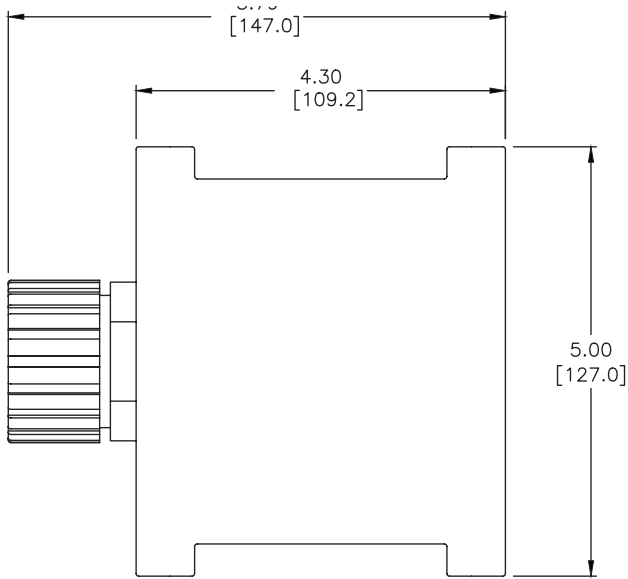
Materials	
Box enclosure	Thermoplastic elastomer, yellow
Strain relief nut	PBT
Grommet	Thermoplastic elastomer
Gotcha ring	Nylon
Locknut	Steel, zinc plate
Threaded inserts	Brass
Receptacle screw	Stainless steel
Cover plate	PBT
Cover plate seal	Neoprene
Cover plate spring	Stainless steel
Hinge pin	Stainless steel
Hinge bracket	Zinc plated steel
Rivets	Zinc plated steel

UL Cross Reference		
Part Number	UL Part Number	UL File Number
<u>BRY3099</u>	HBL3099	E92074
<u>BRY3056</u>	HBL3056	E92074
<u>BRY3054</u>	HBL3054	E92074

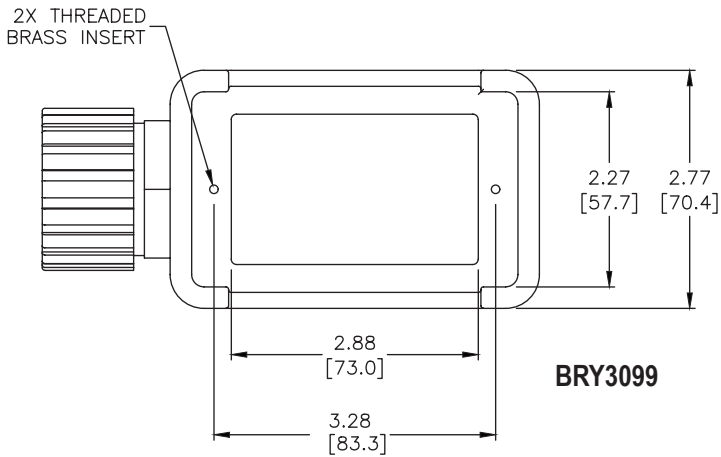
BRYANT® Watertight Wiring Devices - Weather Protective Accessories

Dimensions

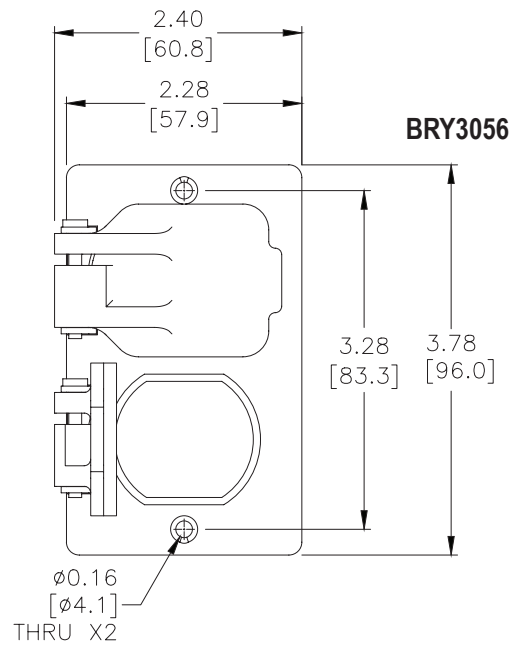
Inches [mm]



BRY3054



BRY3099



BRY3056

Wiring Devices - NEMA Configuration Chart

Locking Style NEMA Configurations					
	Voltage	NEMA #	15 Ampere	20 Ampere	30 Ampere
			Receptacle/Plug	Receptacle/Plug	Receptacle/Plug
2-Pole 3-Wire Grounding	125V	L5	 L5-15R L5-15P	 L5-20R L5-20P	 L5-30R L5-30P
	250V	L6	 L6-15R L6-15P	 L6-20R L6-20P	 L6-30R L6-30P
	277V	L7	 L7-15R L7-15P	 L7-20R L7-20P	 L7-30R L7-30P
	480V	L8		 L8-20R L8-20P	 L8-30R L8-30P
	600V	L9		 L9-20R L9-20P	 L9-30R L9-30P
3-Pole 4-Wire Grounding	125/250V	L14		 L14-20R L14-20P	 L14-30R L14-30P
	3 ϕ 250V	L15		 L15-20R L15-20P	 L15-30R L15-30P
	3 ϕ 480V	L16		 L16-20R L16-20P	 L16-30R L16-30P
	3 ϕ 600V	L17			 L17-30R L17-30P
4-Pole 5-Wire Grounding	3 ϕ Y 120/208V	L21		 L21-20R L21-20P	 L21-30R L21-30P
	3 ϕ Y 277/480V	L22		 L22-20R L22-20P	 L22-30R L22-30P

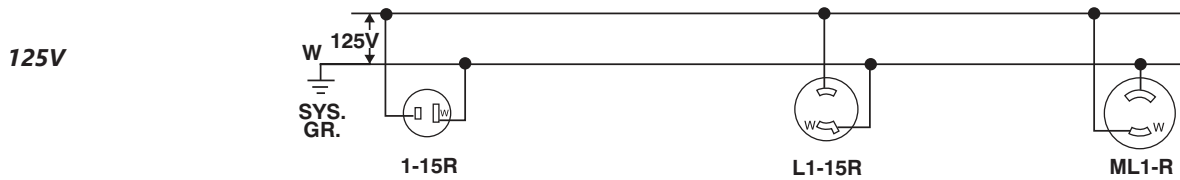
Straight-Blade Style NEMA Configurations					
	Voltage	NEMA #	15 Ampere	20 Ampere	30 Ampere
			Receptacle/Plug	Receptacle/Plug	Receptacle/Plug
2-Pole 3-Wire Grounding	125V	5	 5-15R 5-15P	 5-20R 5-20P	 5-30R 5-30P
	250V	6	 6-15R 6-15P	 6-20R 6-20P	 6-30R 6-30P

Note: Please see Appendix for
 1.) Mechanical and electrical properties of material data
 2.) Chemical resistance of material
 3.) Table III Hp rating chart

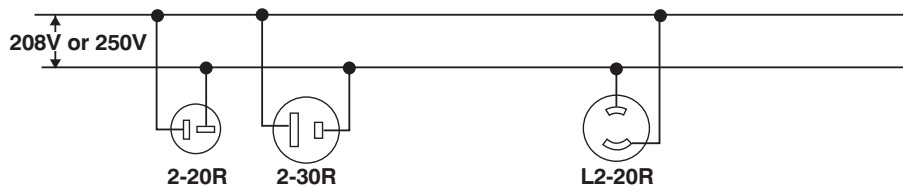
Wiring Devices – NEMA Wiring Diagrams

Reference material only. Please see Wiring Section in the catalog for product part number.

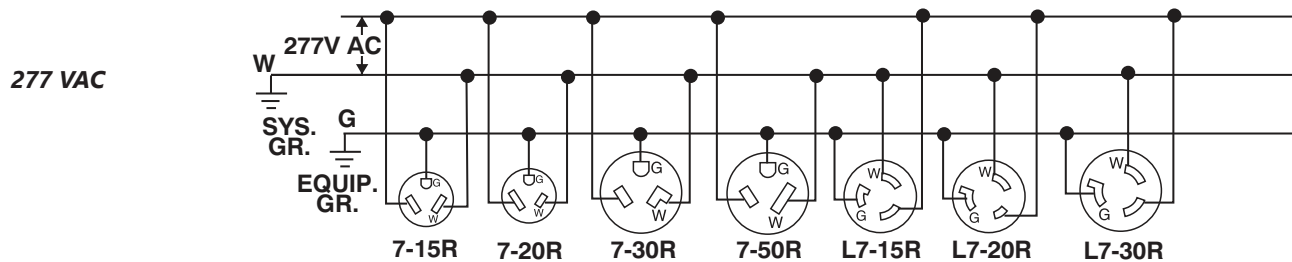
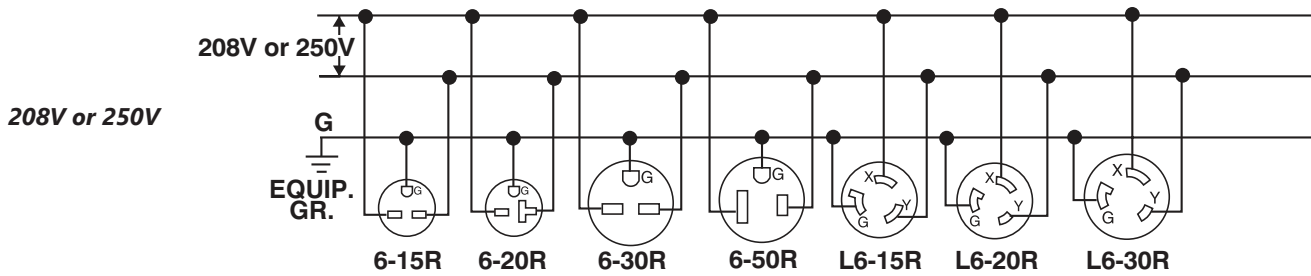
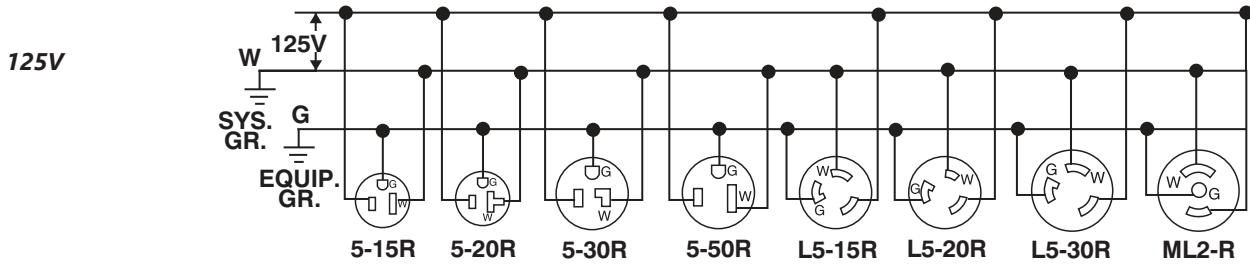
2-Pole 2-Wire



208V or 250V

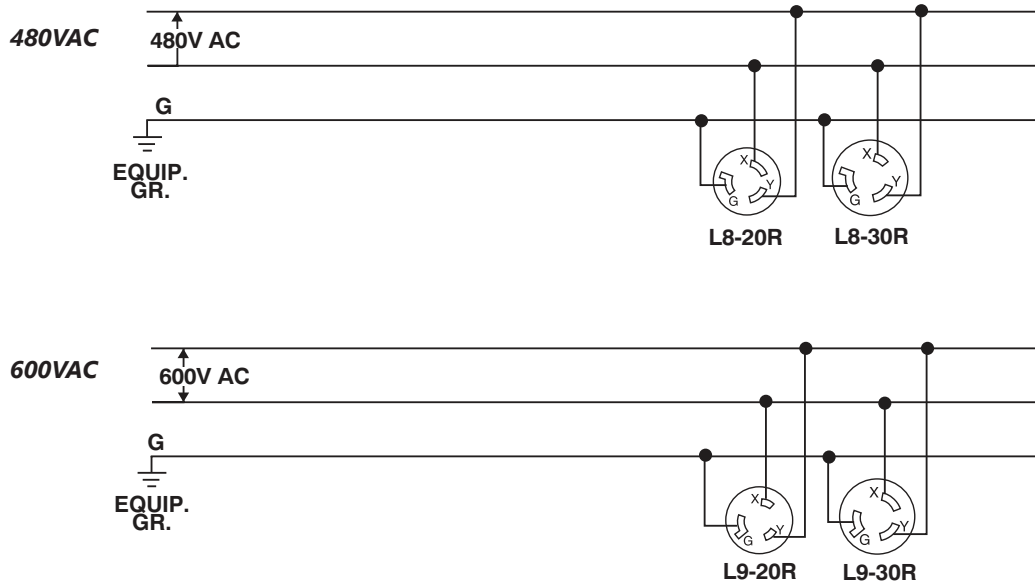


2-Pole 3-Wire Grounding

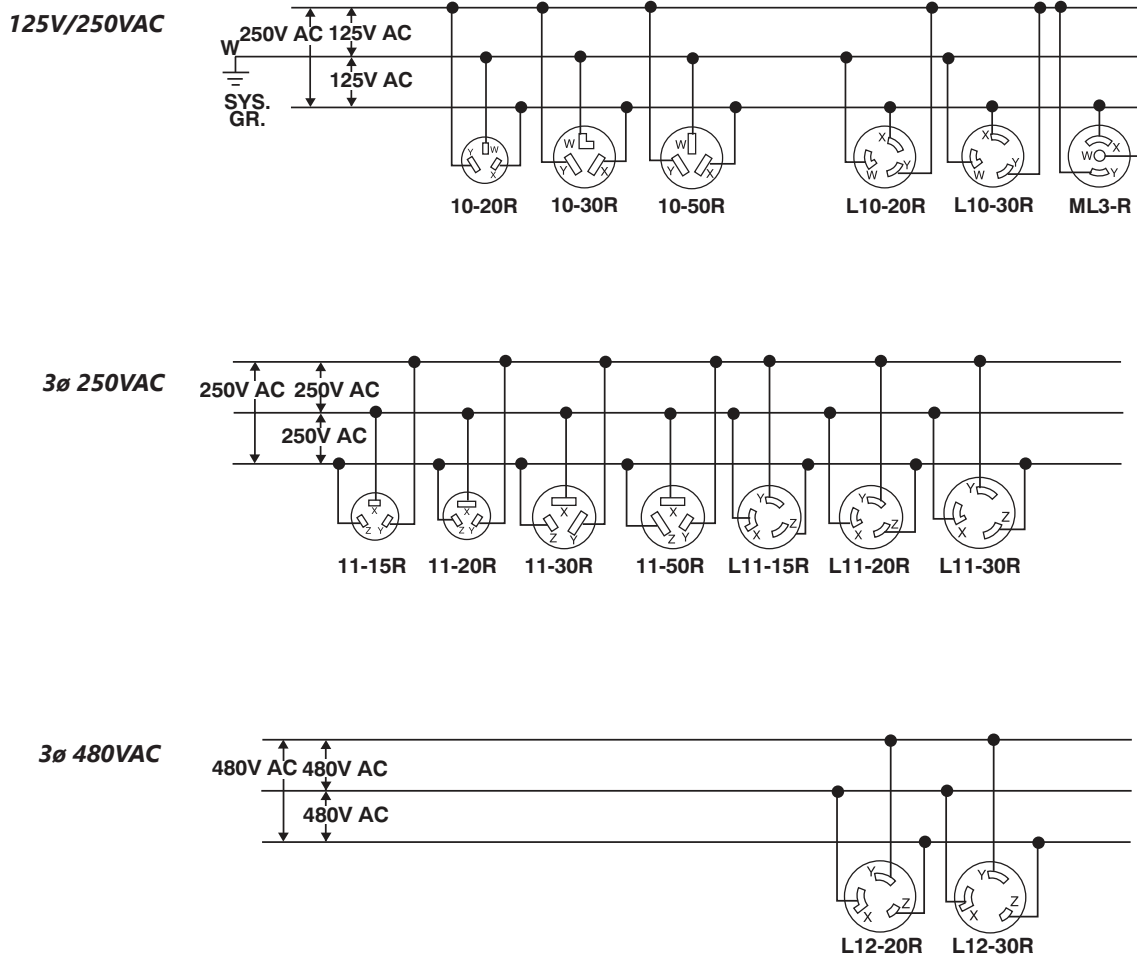


Wiring Devices – NEMA Wiring Diagrams

2-Pole 3-Wire Grounding

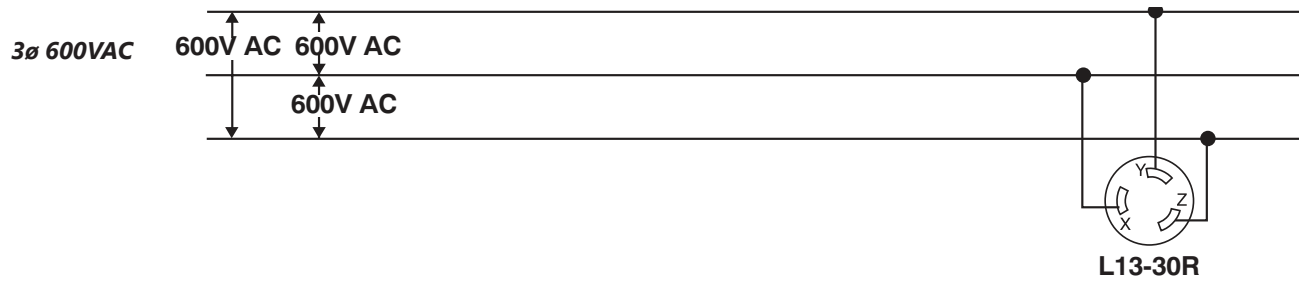


3-Pole 3-Wire

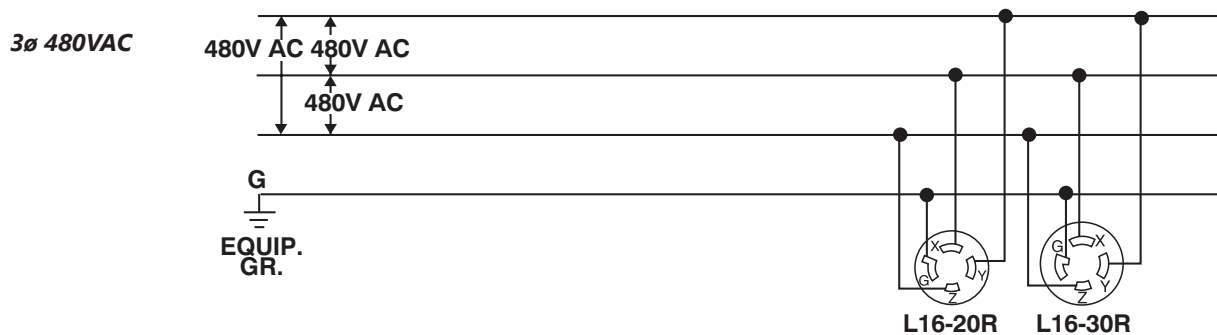
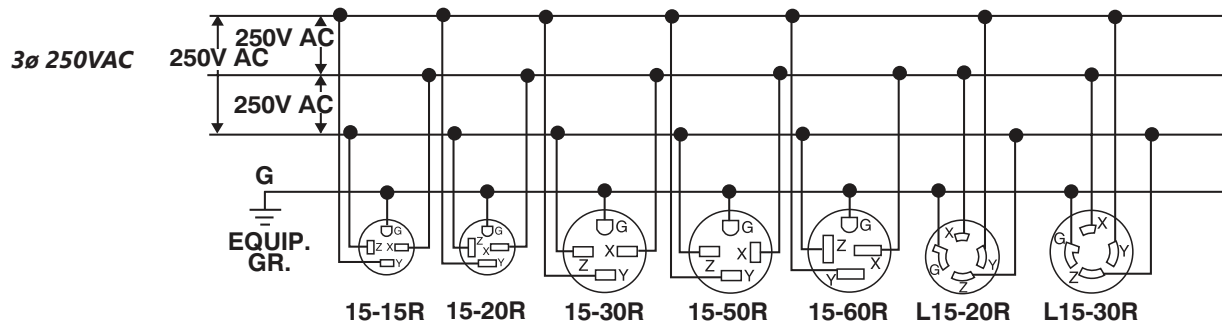
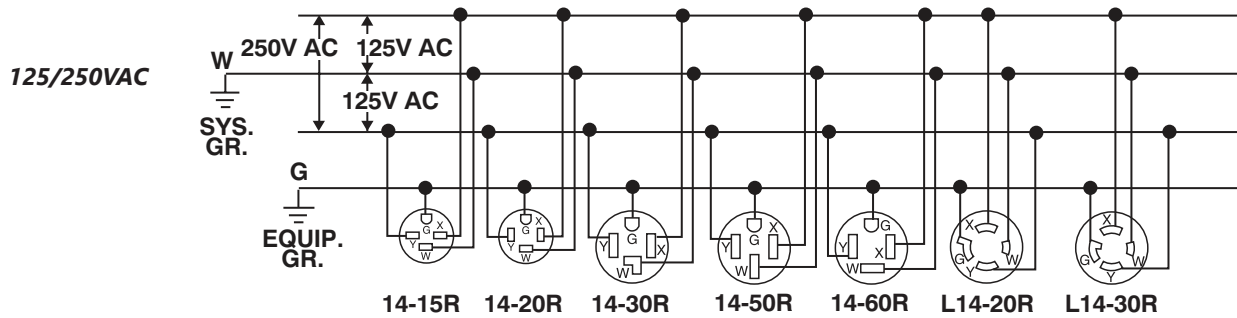


Wiring Devices – NEMA Wiring Diagrams

3-Pole 3-Wire Continued

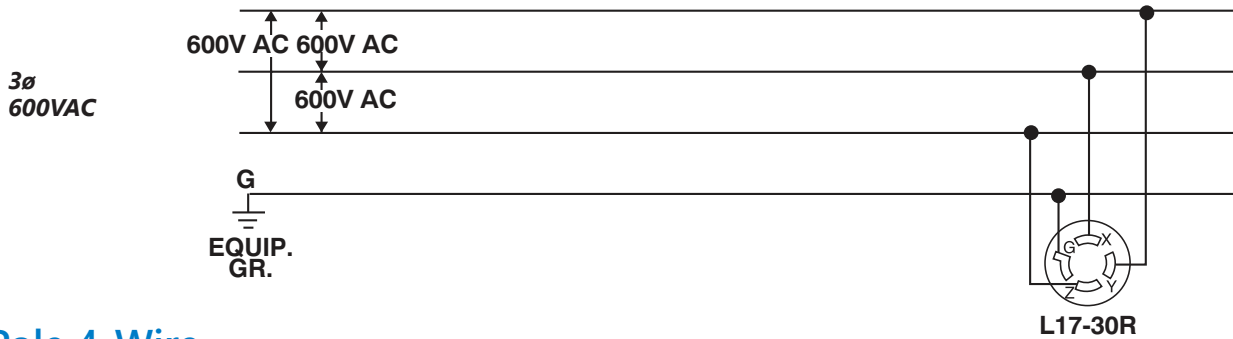


3-Pole 4-Wire Grounding

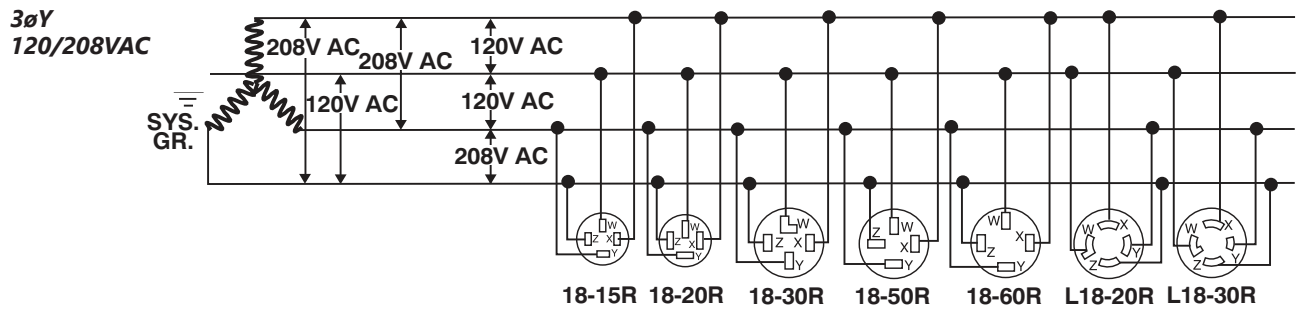


Wiring Devices – NEMA Wiring Diagrams

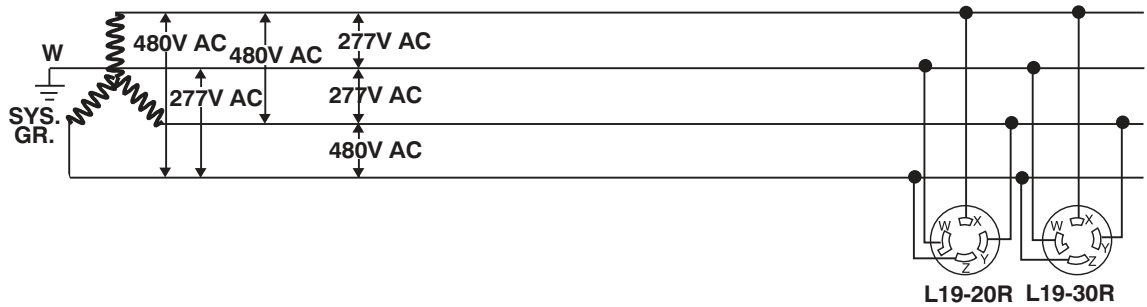
3-Pole 4-Wire Grounding Continued



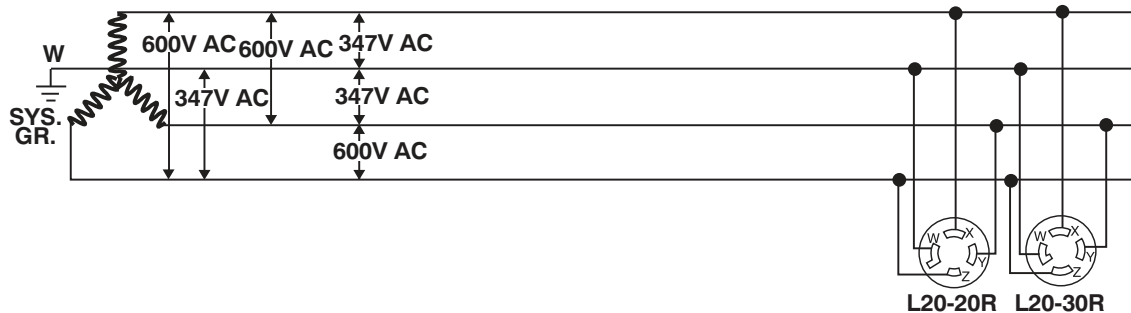
4-Pole 4-Wire



3 ϕ Y
277/480VAC



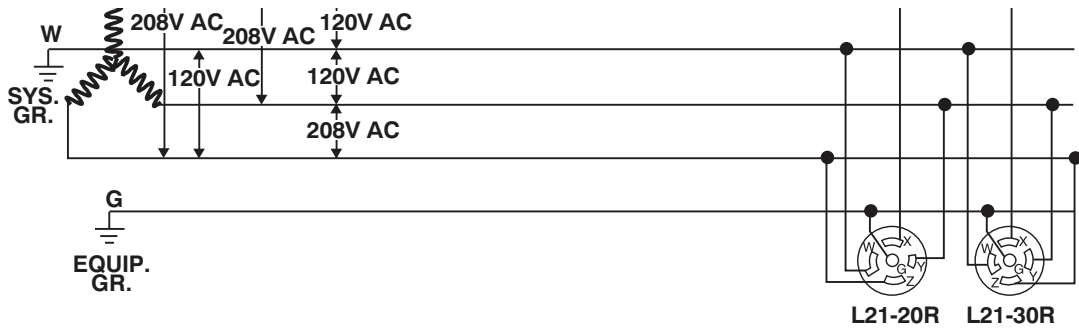
3 ϕ Y
347/600VAC



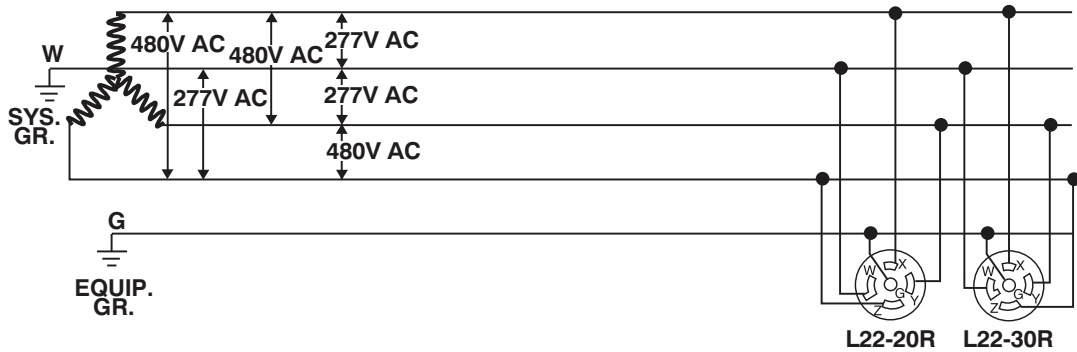
Wiring Devices – NEMA Wiring Diagrams

4-Pole 5-Wire Grounding

3 ϕ Y
120/208VAC



3 ϕ Y
277/480VAC



3 ϕ Y
347/600VAC

