

Feedthrough Connector Modules

Feedthrough modules provide low-cost and compact field wiring screw termination solutions for quickly connecting ZIPLink cables with PLCs. Modules mount on 35mm DIN rail (part #DN-R35S1) or 15mm DIN rail (part #DN-R15S1).



ZL-RTB20-1



ZL-RTB40-1

Specifications								
Feedthrough Modules	Part #	Pcs/Pkg	Price/Pkg	Weight (lbs)	Part #	Pcs/Pkg	Price/Pkg#	Weight (lbs)
	ZL-RTB20-1	1		0.25	ZL-RTB40-1	1		0.46
Description ¹	20-Pole Feedthrough Connector Module				40-Pole Feedthrough Connector Module			
Maximum Voltage	300 VAC/VDC				36 VAC/VDC			
UL Voltage Rating ²	0-250 VAC/VDC				0-30 VAC/VDC			
Maximum Current per Circuit	2A				500mA			
Maximum Current per Common Circuit	4A				N/A			
Maximum Current per Module	40A (All conductors combined including commons)				32A (All conductors combined including commons)			
Number of Terminal Block Positions	24				48			
Operating Temperature Range	32 to 140°F (0 to 60°C)							
Terminal Block Contacts	Copper alloy, tin-lead plated							
Wire Range (Rated Cross Section) ²	12-24 AWG Solid or Stranded Copper Conductor (2.5 mm ²)							
Wire Strip Length	0.24-0.27 in (6-7 mm)							
Screw Torque	4.4 in-lbs (0.5 N-m)							
Connector Type	Molex Micro-Fit 3.0, 24 pin connector Example: Receptacle 43020-2400 Pins 43031 Series, Male				3M 34000 Series IDC Connector, strain relief is required to latch to header. Example: Socket 3417-7640, Strain relief 3448-3040			
Connecting Cables (Sold Separately)	Click on link: Wiring Selection Guides . Click on link: Connection Cable Specifications Tables .							
Cable/Wire Clearance	0.5 in (12.7 mm) Required							
Mounting Restrictions	None							
Approvals	UL 508 File E139594, Canada & USA CE (EN61131-2*)							

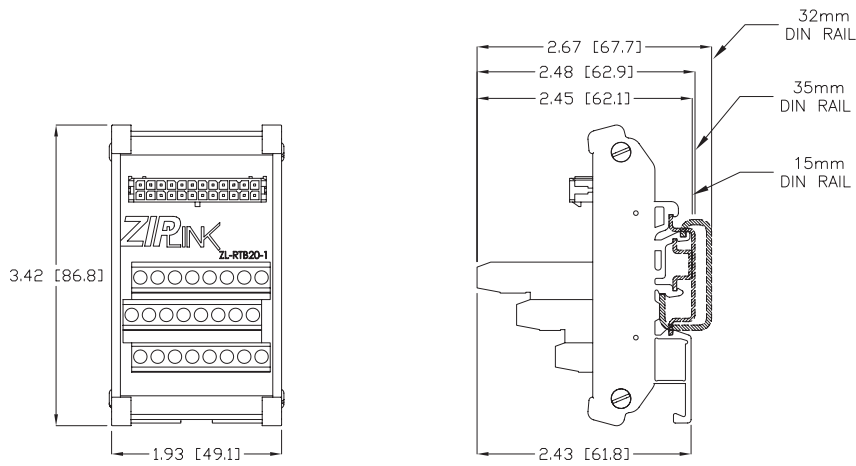
¹ Connecting cables are for internal wiring only.

² Use Class 2 power supply; use conductors rated 60°/75°C

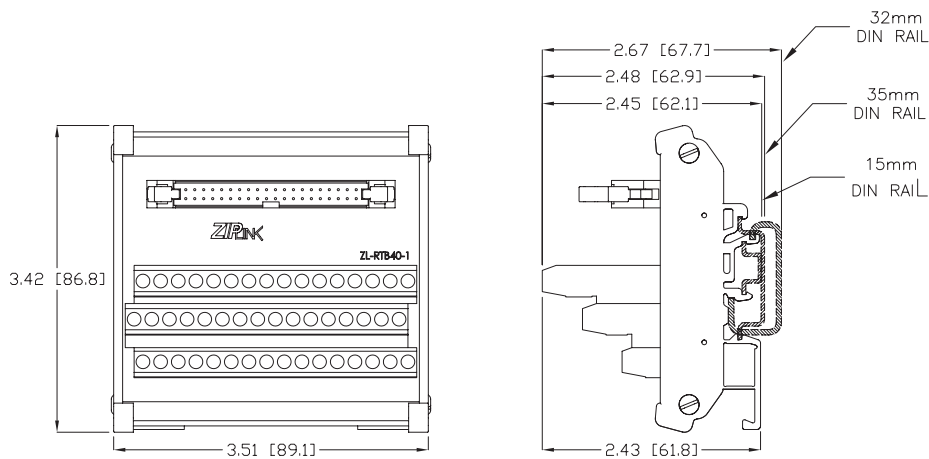


NOTE: SEE WIRING DETAILS AND DIMENSIONAL DRAWINGS ON OUR WEB SITE AT:
<http://static/manuals/ziplinks/ziplinks.html>.

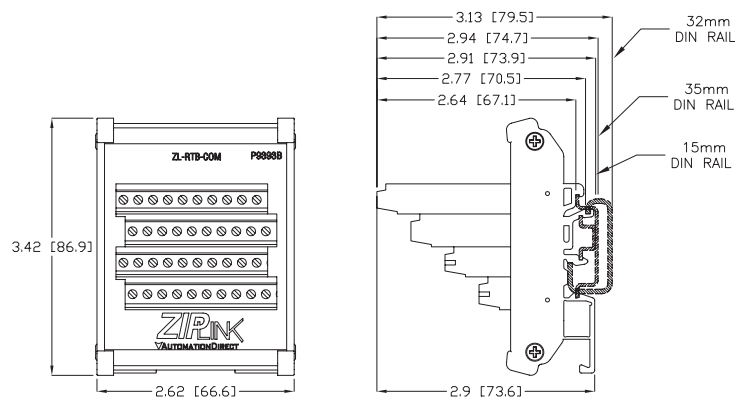
ZL-RTB20-1



ZL-RTB40-1



ZL-RTB-COM



0.098" [2.5 mm]
0.114" [2.9 mm]

All terminal block insertion point opening dimensions are the same.