



Field Wireable Connectors

Features and General Specifications

- Polyamide body
- Copper alloy/gold plating contacts
- BUNA-N O-Ring
- Nickel-plated brass coupling nut
- PVC insert
- Temperature: -40 to +90°C (-40 to +194°F)
- IP67 protection when connected
- Approvals: UL File E328610
- Made in the USA



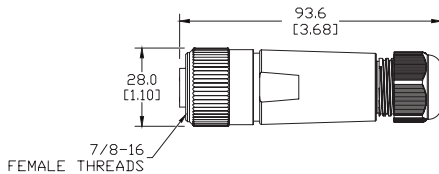
Field Wireable Connectors - Size 1										
Face View of Male	Face View of Female	# of Poles	Wire Rating	Cable O.D. Range - mm [in]	Female Straight (Female Threads)	Price	Male Straight (Female Threads)	Price	Male Straight (Male Threads)	Price
		3 (North American Color Code)	14-22 AWG 600V 18A Max	5-13 [0.20-0.51]	ZP-S1-3FP-FW		ZP-S1-3MP-FW		ZP-S1-3MPM-FW	
				8-17 [0.31-0.67]	ZP-S1-3FP-FWX		ZP-S1-3MP-FWX		ZP-S1-3MPM-FWX	
		4 (North American Color Code)	14-22 AWG 600V 15A Max	5-13 [0.20 - 0.51]	ZP-S1-4FP-FW		ZP-S1-4MP-FW		ZP-S1-4MPM-FW	
				8-17 [0.31-0.67]	ZP-S1-4FP-FWX		ZP-S1-4MP-FWX		ZP-S1-4MPM-FWX	
		4 (Cenelec Color Code)	14-22 AWG 600V 15A Max	5-13 [0.20-0.51]	ZP-S1C-4FP-FW		=		ZP-S1C-4MP-FW	
				8-17 [0.31-0.67]	ZP-S1C-4FP-FWX		=		ZP-S1C-4MP-FWX	
		5 (North American Color Code)	14-22 AWG 600V 12A Max	5-13 [0.20-0.51]	ZP-S1-5FP-FW		ZP-S1-5MP-FW		ZP-S1-5MPM-FW	
				8-17 [0.31-0.67]	ZP-S1-5FP-FWX		ZP-S1-5MP-FWX		ZP-S1-5MPM-FWX	
		6 (North American Color Code)	16-22 AWG 600V 8A Max	5-13 [0.20-0.51]	ZP-S1-6FP-FW		ZP-S1-6MP-FW		ZP-S1-6MPM-FW	
				8-17 [0.31-0.67]	ZP-S1-6FP-FWX		ZP-S1-6MP-FWX		ZP-S1-6MPM-FWX	

Note: Connection via screw terminal. Voltage and amperage ratings are cable dependent and are based on 600V 14AWG cable. Cables with lower voltage ratings and smaller conductors will lower these ratings.

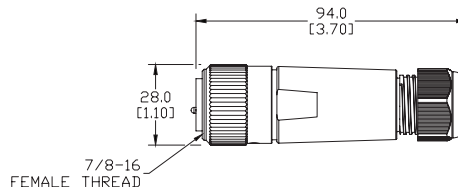
Dimensions

mm [in]

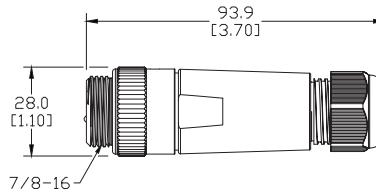
Note: Tightening torque 44 lb-in (5.0 N·m) coupling nut.
Screw connections 20 lb-in (2.3 N·m)



Female Straight (Female Threads)



Male Straight (Female Threads)



Male Straight (Male Threads)

Color Codes	
Poles	Color
North American	2 1 White
	2 2 Black
	3 1 Green/Yellow
	3 2 Black
	3 3 White
	4 1 Black
4	2 White
	3 Red
	4 Green/Yellow
	4 4 Black
5	1 White
	2 Red
	3 Green/Yellow
	4 Orange
	5 Black
	6 Black
6	1 White
	2 Red
	3 Green/Yellow
	4 Orange
	5 Black
	6 Blue

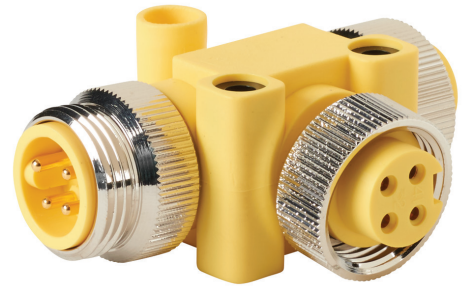
Color Codes	
Poles	Color
Cenelec	4 1 Brown
	4 2 White
	4 3 Blue
	4 4 Black

See our website: for complete Engineering drawings.

Mini Cordsets and Receptacles Accessories

Mini "T" Connectors Features and General Specifications

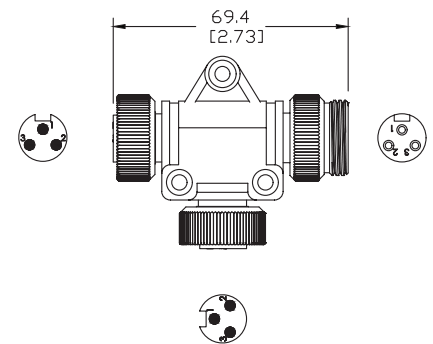
- Oil-resistant yellow PVC body
- Copper alloy/gold plating contacts
- Nickel-plated brass coupling nut
- Operating temperature range: -40 to +105°C (-40 to +221°F)
- IP67 protection when connected
- Approvals: UL File E328610
- Made in the USA



Mini "T" Connectors						
Face View of Male	Face View of Female	# of Poles	Rating	Part Number	Wiring	Price
		3	300V 8A	<u>ZP-S1-3MFF-T</u>	1-1-1 2-2-2 3-3-3	
		4	300V 8A	<u>ZP-S1-4MFF-T</u>	1-1-1 2-2-2 3-3-3 4-4-4	
		5	300V 8A	<u>ZP-S1-5MFF-T</u>	1-1-1 2-2-2 3-3-3 4-4-4 5-5-5	

Dimensions

mm [in]



Note: Tightening torque 44 lb-in (5.0 N·m) coupling nut.

Caps and Adapters			
Dimensions – mm [in]	Description	Part Number	Price
	Closure cap for covering receptacles and plugs with male threads. 0.17" diameter mounting hole for securing the chain. Clear anodized aluminum with nickel-plated brass chain and hardware.	<u>ZP-S1-CAP</u>	
	Closure plug for covering receptacles and plugs with female threads. 0.17" diameter mounting hole for securing the chain. Clear anodized aluminum with nickel-plated brass chain and hardware.	<u>ZP-S1-PLUG</u>	
	Adapter coupling for connecting male and female plugs with female couplings. Clear anodized aluminum.	<u>ZP-S1-XMP-AD</u>	



Note: To obtain the most current agency approval information, see the Agency Approval Checklist section on the specific part number's web page.