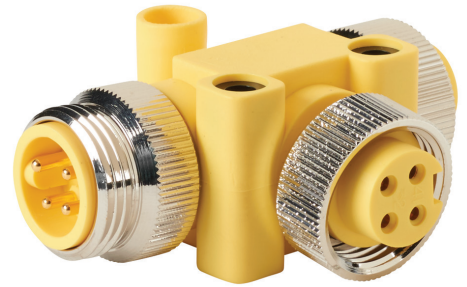


Mini Cordsets and Receptacles Accessories

Mini "T" Connectors Features and General Specifications

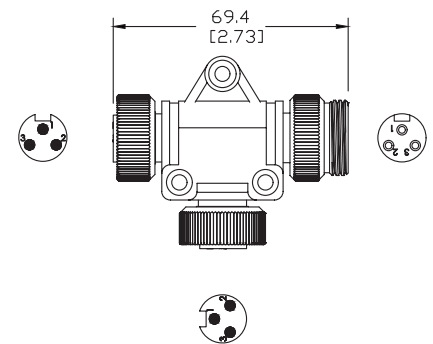
- Oil-resistant yellow PVC body
- Copper alloy/gold plating contacts
- Nickel-plated brass coupling nut
- Operating temperature range: -40 to +105°C (-40 to +221°F)
- IP67 protection when connected
- Approvals: UL File E328610
- Made in the USA



Mini "T" Connectors						
Face View of Male	Face View of Female	# of Poles	Rating	Part Number	Wiring	Price
		3	300V 8A	<u>ZP-S1-3MFF-T</u>	1-1-1 2-2-2 3-3-3	
		4	300V 8A	<u>ZP-S1-4MFF-T</u>	1-1-1 2-2-2 3-3-3 4-4-4	
		5	300V 8A	<u>ZP-S1-5MFF-T</u>	1-1-1 2-2-2 3-3-3 4-4-4 5-5-5	

Dimensions

mm [in]



Note: Tightening torque 44 lb-in (5.0 N·m) coupling nut.

Caps and Adapters			
Dimensions – mm [in]	Description	Part Number	Price
	Closure cap for covering receptacles and plugs with male threads. 0.17" diameter mounting hole for securing the chain. Clear anodized aluminum with nickel-plated brass chain and hardware.	<u>ZP-S1-CAP</u>	
	Closure plug for covering receptacles and plugs with female threads. 0.17" diameter mounting hole for securing the chain. Clear anodized aluminum with nickel-plated brass chain and hardware.	<u>ZP-S1-PLUG</u>	
	Adapter coupling for connecting male and female plugs with female couplings. Clear anodized aluminum.	<u>ZP-S1-XMP-AD</u>	



Note: To obtain the most current agency approval information, see the Agency Approval Checklist section on the specific part number's web page.