



Mini Bulkhead Connectors

Features and General Specifications

- Clear anodized aluminum shell
- Yellow PVC insert
- Gold-plated copper alloy contacts
- Zinc-plated steel locknut
- NBR O-ring
- Cable length 0.3 m (1ft)
- Front mount
- Mounting thread 1/2 NPT
- Ingress protection rating: IP67 when connected
- Temperature: -40 to +105°C (-40 to +221°F)
- Approvals: UL File E328610
- Made in the USA



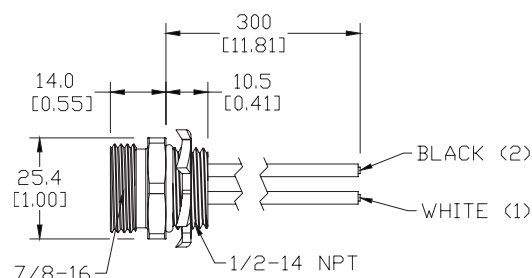
Note: To obtain the most current agency approval information, see the Agency Approval Checklist section on the specific part number's web page.

Mini Bulkhead Connectors							
Face View of Male	Face View of Female	# of Poles	Wire Rating	Female Receptacles	Price	Male Receptacles	Price
		2 North American Color Code	16AWG Max 600V 13A Max	ZP-S1-2FR-0P3M		ZP-S1-2MR-0P3M	
		3 North American Color Code	16AWG Max 600V 13A Max	ZP-S1-3FR-0P3M		ZP-S1-3MR-0P3M	
		4 North American Color Code	16AWG Max 600V 10A Max	ZP-S1-4FR-0P3M		ZP-S1-4MR-0P3M	
		4 Cenelec Color Code	18AWG Max 300V 5.5 A Max	ZP-S1C-4FR-0P3M-18		ZP-S1C-4MR-0P3M-18	
		5 North American Color Code	16AWG Max 600V 8A Max	ZP-S1-5FR-0P3M		ZP-S1-5MR-0P3M	
		6 North American Color Code	16AWG Max 600V 8A Max	ZP-S1-6FR-0P3M		ZP-S1-6MR-0P3M	

Color Codes			
Poles		Color	
North American	2	1	White
		2	Black
	3	1	Green/Yellow
		2	Black
		3	White
	4	1	Black
		2	White
		3	Red
		4	Green/Yellow
	5	1	White
		2	Red
		3	3
4			Orange
6		5	Black
		1	White
	2	Red	
	3	Green/Yellow	
Cenelec	4	1	Brown
		2	White
		3	Blue
		4	Black

Dimensions

mm [in]

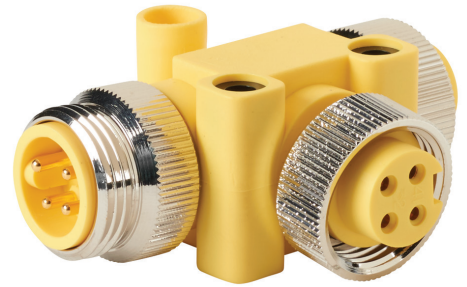


See our website: for complete Engineering drawings.

Mini Cordsets and Receptacles Accessories

Mini "T" Connectors Features and General Specifications

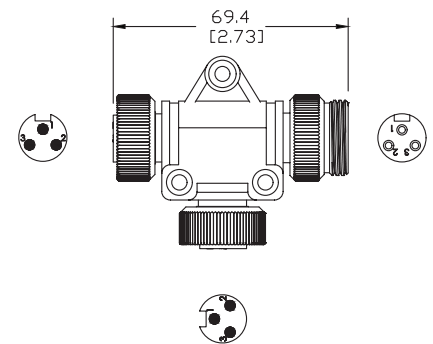
- Oil-resistant yellow PVC body
- Copper alloy/gold plating contacts
- Nickel-plated brass coupling nut
- Operating temperature range: -40 to +105°C (-40 to +221°F)
- IP67 protection when connected
- Approvals: UL File E328610
- Made in the USA



Mini "T" Connectors						
Face View of Male	Face View of Female	# of Poles	Rating	Part Number	Wiring	Price
		3	300V 8A	<u>ZP-S1-3MFF-T</u>	1-1-1 2-2-2 3-3-3	
		4	300V 8A	<u>ZP-S1-4MFF-T</u>	1-1-1 2-2-2 3-3-3 4-4-4	
		5	300V 8A	<u>ZP-S1-5MFF-T</u>	1-1-1 2-2-2 3-3-3 4-4-4 5-5-5	

Dimensions

mm [in]



Note: Tightening torque 44 lb-in (5.0 N·m) coupling nut.

Caps and Adapters			
Dimensions – mm [in]	Description	Part Number	Price
	Closure cap for covering receptacles and plugs with male threads. 0.17" diameter mounting hole for securing the chain. Clear anodized aluminum with nickel-plated brass chain and hardware.	<u>ZP-S1-CAP</u>	
	Closure plug for covering receptacles and plugs with female threads. 0.17" diameter mounting hole for securing the chain. Clear anodized aluminum with nickel-plated brass chain and hardware.	<u>ZP-S1-PLUG</u>	
	Adapter coupling for connecting male and female plugs with female couplings. Clear anodized aluminum.	<u>ZP-S1-XMP-AD</u>	



Note: To obtain the most current agency approval information, see the Agency Approval Checklist section on the specific part number's web page.