

Features and General Specifications

- Oil-resistant yellow PVC body and cable jacket.
- Copper alloy contacts with gold plating
- Nickel-plated brass nut coupling
- Non-wicking, non-hygroscopic, UL style STOW
- Bare copper conductors, PVC insulated
- Temperature: -40 to +105°C (-40 to +221°F)
- IP67 protection rating when connected
- Approvals: UL File E328610
- Made in the USA



STOW cords are ideal for usage in flex applications in harsh environments where high degree of oil resistance and extended service life are in great demand. Typical applications are portable tools, motors, sound equipment, portable lights and similar equipment.

S = Service or Hard Service Cord

T = Thermoplastic (PVC)

O = Oil Resistant Jacket

W = Weather and Water Resistance

Note: To obtain the most current agency approval information, see the Agency Approval Checklist section on the specific part number's web page.

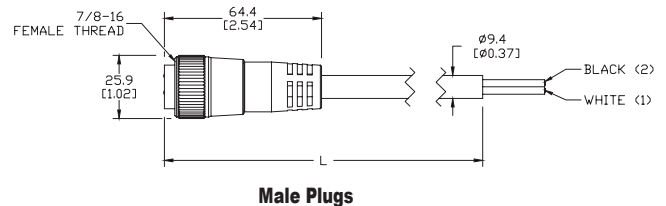
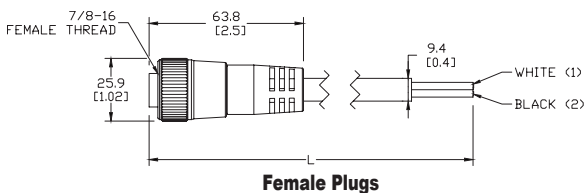
Mini Size 1 Straight Cordsets								
Face View of Male	Face View of Female	# of Poles	Wire Rating	Length m [ft]	Female Plugs	Price	Male Plugs	Price
		2 (North American Color Code)	16AWG 600V 13A	2 [6.56]	ZP-S1-2FP-2M		ZP-S1-2MP-2M	
				4 [13.12]	ZP-S1-2FP-4M		ZP-S1-2MP-4M	
				6 [19.69]	ZP-S1-2FP-6M		ZP-S1-2MP-6M	
				10 [32.81]	ZP-S1-2FP-10M		ZP-S1-2MP-10M	
		3 (North American Color Code)	16AWG 600V 13A	2 [6.56]	ZP-S1-3FP-2M		ZP-S1-3MP-2M	
				4 [13.12]	ZP-S1-3FP-4M		ZP-S1-3MP-4M	
				6 [19.69]	ZP-S1-3FP-6M		ZP-S1-3MP-6M	
				10 [32.81]	ZP-S1-3FP-10M		ZP-S1-3MP-10M	
		4 (North American Color Code)	16AWG 600V 10A	2 [6.56]	ZP-S1-4FP-2M		ZP-S1-4MP-2M	
				4 [13.12]	ZP-S1-4FP-4M		ZP-S1-4MP-4M	
				6 [19.69]	ZP-S1-4FP-6M		ZP-S1-4MP-6M	
				10 [32.81]	ZP-S1-4FP-10M		ZP-S1-4MP-10M	
		4 (Cenelec Color Code)	18AWG 300V 5.5 A	2 [6.56]	ZP-S1C-4FPX-2M		ZP-S1C-4MPX-2M	
				4 [13.12]	ZP-S1C-4FPX-4M		ZP-S1C-4MPX-4M	
				6 [19.69]	ZP-S1C-4FPX-6M		ZP-S1C-4MPX-6M	
				10 [32.81]	ZP-S1C-4FPX-10M		ZP-S1C-4MPX-10M	
		5 (North American Color Code)	16AWG 600V 8A	2 [6.56]	ZP-S1-5FP-2M		ZP-S1-5MP-2M	
				4 [13.12]	ZP-S1-5FP-4M		ZP-S1-5MP-4M	
				6 [19.69]	ZP-S1-5FP-6M		ZP-S1-5MP-6M	
				10 [32.81]	ZP-S1-5FP-10M		ZP-S1-5MP-10M	
		6 (North American Color Code)	16AWG 600V 8A	2 [6.56]	ZP-S1-6FP-2M		ZP-S1-6MP-2M	
				4 [13.12]	ZP-S1-6FP-4M		ZP-S1-6MP-4M	
				6 [19.69]	ZP-S1-6FP-6M		ZP-S1-6MP-6M	
				10 [32.81]	ZP-S1-6FP-10M		ZP-S1-6MP-10M	

Color Codes		
	Poles	Color
North American	2	1 White
		2 Black
	3	1 Green/Yellow
		2 Black
	4	3 White
		1 Black
		2 White
		3 Red
	5	4 Green/Yellow
		1 White
		2 Red
		3 Green/Yellow
4 Orange		
6	5 Black	
	1 White	
	2 Red	
	3 Green/Yellow	
	4 Orange	
	5 Black	
Cenelec	4	1 Brown
		2 White
		3 Blue
		4 Black

Note: Tightening torque 44 lb-in (5.0 N-m) coupling nut.

Dimensions

mm [in]

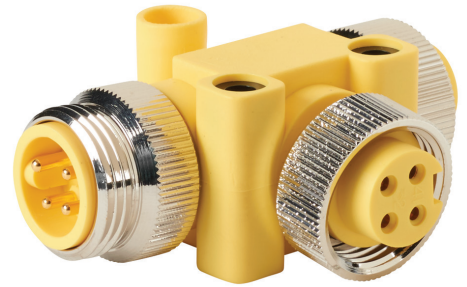


See our website: www.AutomationDirect.com for complete Engineering drawings.

Mini Cordsets and Receptacles Accessories

Mini "T" Connectors Features and General Specifications

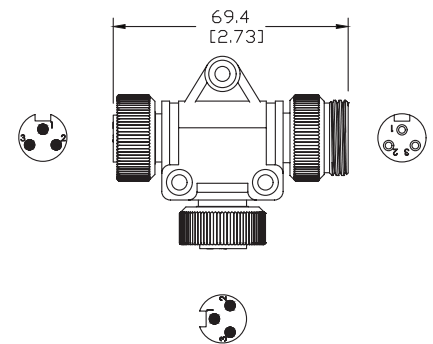
- Oil-resistant yellow PVC body
- Copper alloy/gold plating contacts
- Nickel-plated brass coupling nut
- Operating temperature range: -40 to +105°C (-40 to +221°F)
- IP67 protection when connected
- Approvals: UL File E328610
- Made in the USA



Mini "T" Connectors						
Face View of Male	Face View of Female	# of Poles	Rating	Part Number	Wiring	Price
		3	300V 8A	<u>ZP-S1-3MFF-T</u>	1-1-1 2-2-2 3-3-3	
		4	300V 8A	<u>ZP-S1-4MFF-T</u>	1-1-1 2-2-2 3-3-3 4-4-4	
		5	300V 8A	<u>ZP-S1-5MFF-T</u>	1-1-1 2-2-2 3-3-3 4-4-4 5-5-5	

Dimensions

mm [in]



Note: Tightening torque 44 lb-in (5.0 N·m) coupling nut.

Caps and Adapters			
Dimensions – mm [in]	Description	Part Number	Price
	Closure cap for covering receptacles and plugs with male threads. 0.17" diameter mounting hole for securing the chain. Clear anodized aluminum with nickel-plated brass chain and hardware.	<u>ZP-S1-CAP</u>	
	Closure plug for covering receptacles and plugs with female threads. 0.17" diameter mounting hole for securing the chain. Clear anodized aluminum with nickel-plated brass chain and hardware.	<u>ZP-S1-PLUG</u>	
	Adapter coupling for connecting male and female plugs with female couplings. Clear anodized aluminum.	<u>ZP-S1-XMP-AD</u>	



Note: To obtain the most current agency approval information, see the Agency Approval Checklist section on the specific part number's web page.