



STD Series Multi-Wire Connectors Specifications

Technical Characteristics										
Connector Size		6B		10B		16B				
Inserts	Number of Poles		6+PE	24+PE	10+PE	42+PE	6+PE	16+PE	40+PE	72+PE
	UL/CSA Rated Voltage*		600V							
	Maximum Rated Current		16A	10A	16A	10A	35A	16A	10A	
	EN 61984 (2001-11) Pollution Degree 3	Rated Voltage AC/DC	500V	250V	500V	250V	830V	500V	250V	
		Impulse Withstand Voltage	6kV	4kV	6kV	4kV	6kV		4kV	
	EN 61984 (2001-11) Pollution Degree 2	Rated Voltage	400/690V	230/400V	400/690V	230/400V	1000V	400/690V	230/400V	
		Impulse Withstand Voltage	6kV	4kV	6kV	4kV	8kV	6kV	4kV	
	Continuous Current Carrying Capacity		Refer to Electrical Engineering section charts							
	Insulation Resistance		10 ¹⁰ Ω							
	Material		Polycarbonate							
	Temperature Range		-40°C to 125°C (-40°F to 257°F)							
	Flammability		UL 94 V-0 GWT 960°							
	Degree Protection	With Housing	IP66, NEMA/UL (Type 1, 4, 4x, 12)							
		Without Housing	IP20							
Mechanical Working Life		500 Cycles								
Conductor Termination	Screw Terminals	√	N/A	√	N/A	√	√	N/A	N/A	
	Crimp Contacts	√	√	√	√	N/A	√	√	√	
Contacts	Material		Hard-silver plated (2μm Au) or gold plated copper alloy							
	Minimum Recommended Load (voltage & current)		5V/5mA AC/DC (silver plated)							
	Contact Resistance		≤ 1 mΩ	≤ 3 mΩ	≤ 1 mΩ	≤ 3 mΩ	≤ 0.5 mΩ	≤ 1 mΩ	≤ 3 mΩ	
	Screw Terminal Wire Size	mm ²	0.5-2.5	N/A	0.5-2.	N/A	1.5-6	0.5-2.5	N/A	
		AWG	20-14	N/A	20-14	N/A	16-10	20-14	N/A	
	Screw Terminal Tightening Test Torque		0.5 Nm	N/A	0.5 Nm	N/A	1.2 Nm	0.5 Nm	N/A	
	Screw Terminal Stripping Length		7.0 mm	N/A	7.0 mm	N/A	10.5 mm	7.0 mm	N/A	
	Crimp Terminal Wire Size	mm ²	0.14-4	0.14-2.5	0.14-4	0.14-2.5	N/A	0.14-4	0.14-2.5	
AWG		26-12	26-14	26-12	26-14	N/A	26-12	26-14		
Crimp Terminal Stripping Length		7.5 mm	8mm	7.5 mm	8mm	N/A	7.5 mm	8mm		
Aluminum Hoods/ Bases/Couplers/ Covers	Material		Die cast aluminum alloy, Polyester powder coated							
	Locking Element		Stainless steel lever and peg							
	Housings Seal		NBR (Nitrile)							
	Degree of Protection Acc. to EN 60529 (coupled) NEMA 250, UL50, 50E		IP66, NEMA/UL (Type 1, 4, 4X, 12)							
	Temperature Range		-40°C to 125°C (-40°F to 257°F)							
	Thread		Metric EN50262 Pg DIN 40430							

* Connectors should not be coupled and decoupled under electrical load.

Conductor Termination

Overview

Two types of conductor termination are available for ZIPport inserts:

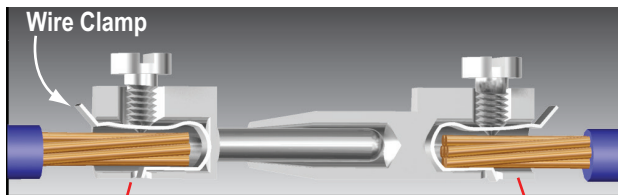
- Screw terminations
- Crimp terminations

Screw Terminations

Screw terminations consist of contacts made of silver-plated copper alloy and are incorporated with a wire clamp (with the exception of the size 3A inserts and size 24B with 80A contacts) for firmly securing the conductors. The screw terminals use stainless steel captive screws and meet VDE 0609 / EN 60999 standards.

Proper conductor installation requires no special preparation when using inserts with the wire clamp terminals (no wire ferrules). The table below lists the current rating, maximum wire gauge and stripping lengths.

Current Rating	Max Wire Gauge		Stripping Length mm (in)
	(mm ²)	AWG	
10A	2.5	14	4.5 (0.18)
16A	2.5	14	7 (0.28)
35A	6.0	10	11.5 (0.45)
16/80A	25/16	14/5	7 (0.28)/14 (0.55)



Screw Terminals with Clamps

The value of tensile strength of conductors in accordance with the dimensions of the screws and the wires are shown in the following table:

Wire Gauge mm ² (AWG)	1.5 (16)	2.5 (14)	4 (12)	6 (10)	10 (8)	16 (6)
Size of Screw	M3	M3	M3.5	M4	M4	M6
Tensile Strength of Stranded Wire (N)	40	50	60	80	90	100

Increasing the tightening torque does not necessarily improve the contact resistance. The screw torques are selected according to standard EN 60999-1, to provide excellent mechanical, thermal and electrical behavior. The conductor or terminal may be damaged if the recommended values are significantly exceeded.

Insert Screw Specifications									
Insert Size	Screw Type	Screw Size	Tightening Torque (Nm)	Tightening Torque (in-lbs)	Recommended Screwdriver Size	Recommended Screwdriver Part			
3A	10 Amp Terminal	M3	0.25	2.2	0.4 x 2.5	TW-SD-VSL-2			
	Installation	M3.5							
	Ground	M3.5							
10A, 16A	16 Amp Terminal	M3	0.50	4.4	0.5 x 3.0	TW-SD-SL-1			
	Installation	M4							
	Ground	M4							
6B, 10B	16 Amp Terminal	M3	0.50	4.4	Ph 0-0.8 x 4	TW-SD-VSL-3			
	Installation	M4							
	Ground	M4					1.2	10.6	Ph 2 1.0 x 5.5
16B	35 Amp Terminal	M4	1.2	10.6	Ph 1 - 0.8 x 4	TW-SD-VSL-3			
	16 Amp Terminal	M3					0.50	4.4	Ph 0-0.8 x 4
	Installation	M4							
	Ground	M4					1.2	10.6	Ph 2 1.0 x 5.5
24B	80 Amp Terminal	M6	2.5	22.1	1.0 x 5.5	TW-SD-VSL-4			
	16 Amp Terminal	M3					0.50	4.4	Ph 0-0.8 x 4
	Installation	M4							
	Ground	M4					1.2	10.6	Ph 2 1.0 x 5.5
32B*	16 Amp Terminal	M3	0.50	4.4	Ph 0-0.8 x 4	TW-SD-VSL-3			
	Installation	M4							
	Ground	M4					1.2	10.6	Ph 2 1.0 x 5.5

Note: Size 32B requires 2 size 16B insert

Crimp Terminations

Crimp terminations consist of contacts made of silver or gold-plated copper alloy. Crimp terminations are accomplished by applying a crimp contact to the conductor by means of a crimping tool. Crimp contacts are available in several sizes:

10 amp, 26-14 AWG ; 16 amp, 26-12 AWG

A perfect crimp connection is gas-tight, corrosion free and is equal to a cold weld of the parts being connected. Wires to be connected must be carefully matched with the correct wire size of crimp contacts.

The requirements for crimp connectors are depicted in IEC 60352, part 2.

Note: Low currents and voltages:

ZIPport standard contacts (screw and crimp) have a silver plated surface. This metal has excellent conductive properties. During the contacts's lifetime, the silver surface generates a black oxide layer due to its affinity to sulphur (always present in the atmosphere). This layer is conductive smooth and very thin and is partly interrupted when the contacts are mated and non mated, thus guaranteeing very low contact resistances. In the case of very low current or voltage, small changes to the transmitted signal may be encountered.

In applications where voltage and current are lower than 5V and 5mA, and in extremely aggressive environments, ZIPport gold plated contacts are recommended. See ZIPport spare parts and accessories pages.

ZIPport STD Series Multi-Wire Connectors

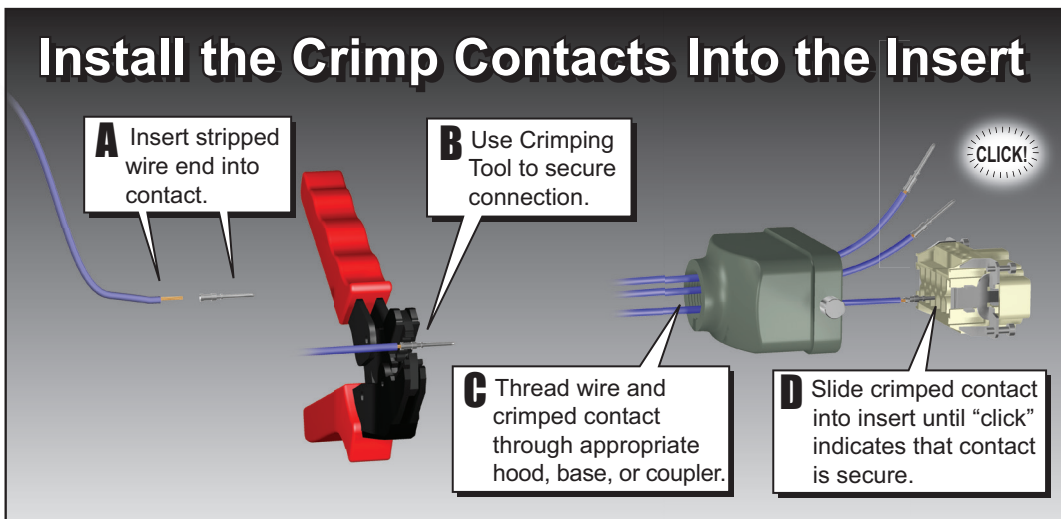
Crimp Contact to Insert Installation

Proper installation of the crimp contacts is important for a good electrical and mechanical connection. The following steps will ensure correct installation.

Step 1: Select the Crimp Contacts

Select a crimp contact based on the rating of the Insert you are using - 10 or 16 amps; the gender - male or female; and gauge of wire being used.

Step 2:

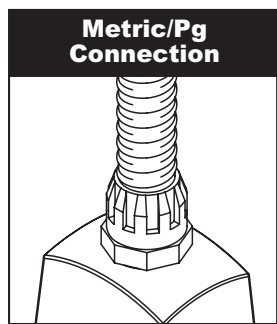


Step 3: Install the Insert into the Housing

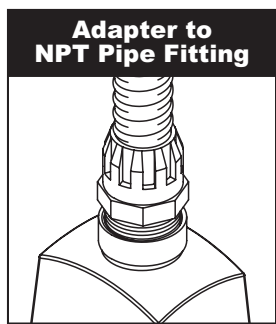
Now that the crimp contacts are installed, the insert can be placed into the housing by aligning the corner installation screws of the insert with the screw holes located in the corners of the housing. Tighten the screws according to the tightening torques listed in the Insert Screw Specifications table in this document.

Wire Entry Connection

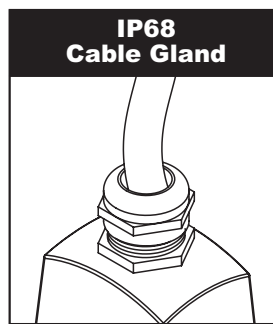
ZIPports offer four types of connection for wire entry into the housings. Two entries accommodate flex conduit and two accept cable.



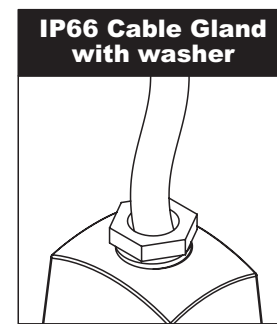
This is standard on all housings that offer a threaded wire entry. Sizes range from Pg 11 to Pg 36. This is for using fittings with a male Pg thread connection.



This adapter converts the Pg thread to an NPT thread. Sizes range from 3/8" to 1-1/4" in relation to the Pg threaded opening in the housing.



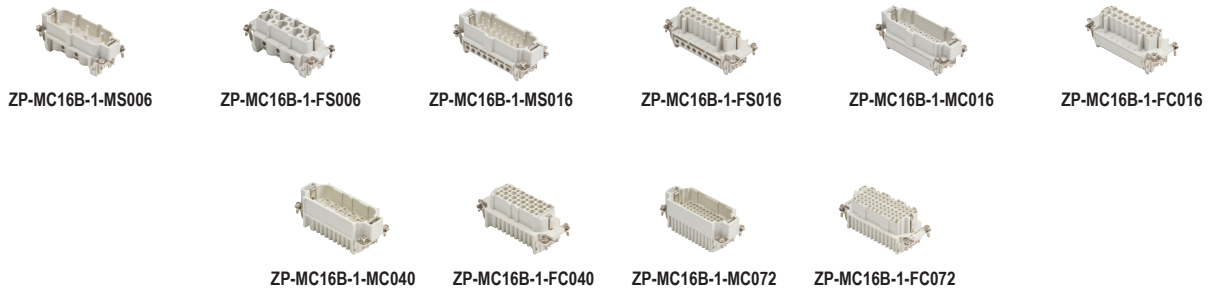
For securing a cable to the housing. This is an all inclusive fitting that can be tightened without using separate washers.



For securing a cable to the housing. This gland is available in plastic or metal in relation to housing material. Includes two washers and four gaskets to accommodate a wide range of cable diameters.



STD Series Multi-Wire Connectors Size 16B



Inserts							
Insert Type	No. of Poles	6+PE		16+PE		40+PE	72+PE
	Rated Voltage AC/DC	600 Volts		600 Volts		600 Volts	600 Volts
	Max. Rated Current	35 Amps		16 Amps		10 Amps	10 Amps
	Termination Type	Screw Terminals		Screw Terminals	Crimp Contacts*	Crimp Contacts*	Crimp Contacts*
Male	Part No.	<u>ZP-MC16B-1-MS006</u>	<u>ZP-MC16B-1-MS016</u>	<u>ZP-MC16B-1-MC016</u>	<u>ZP-MC16B-1-MC040</u>	<u>ZP-MC16B-1-MC072</u>	
	Price						
	Contact Size	N/A	N/A	<u>ZP-MC-CC-M16A-XX*</u>	<u>ZP-MC-CC-M10A-XX*</u>	<u>ZP-MC-CC-M10A-XX*</u>	
	Weight (lb.)	0.174	0.180	0.123	0.125	0.125	
Female	Part No.	<u>ZP-MC16B-1-FS006</u>	<u>ZP-MC16B-1-FS016</u>	<u>ZP-MC16B-1-FC016</u>	<u>ZP-MC16B-1-FC040</u>	<u>ZP-MC16B-1-FC072</u>	
	Price						
	Contact Size	N/A	N/A	<u>ZP-MC-CC-F16A-XX*</u>	<u>ZP-MC-CC-F10A-XX*</u>	<u>ZP-MC-CC-F10A-XX*</u>	
	Weight (lb.)	0.185	0.183	0.125	0.138	0.136	

*Crimp contacts must be purchased separately. The XX represents wire AWG. See Accessories section for complete part numbers.



STD Series Multi-Wire Connectors Size 16B



Single Lever Top Entry Hood



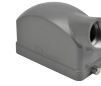
Single Lever Top Entry Hood HC



Double Lever Top Entry Hood



Double Lever Top Entry Hood HC



Single Lever Side Entry Hood



Single Lever Side Entry Hood HC

Hoods, Bases, Couplers and Covers					Accessories***	
Housing Component	Threading Opening**	Part No.	Price	Weight	Plugs with Gasket	
Single Lever / 2 Pegs	Top Entry Hood (2 Pegs)	Pg 21	ZP-MC16B-2-STE21M		0.286	ZP-MC-PLG-21M8
		Pg 21 HC	ZP-MC16B-2-STE21ML		0.493	ZP-MC-PLG-21M8
		Pg 29 HC	ZP-MC16B-2-STE29ML		0.482	ZP-MC-PLG-29M8
	Side Entry Hood (2 Pegs)	Pg 21	ZP-MC16B-2-SSE21M		0.337	ZP-MC-PLG-21M8
		Pg 21 HC	ZP-MC16B-2-SSE21ML		0.419	ZP-MC-PLG-21M8
		Pg 29 HC	ZP-MC16B-2-SSE29ML		0.489	ZP-MC-PLG-29M8
	Surface Mount Base	Pg 21x2	ZP-MC16B-2-SSM21M		0.628	ZP-MC-PLG-21M8
		Pg 21x2 HC	ZP-MC16B-2-SSM21ML		0.776	ZP-MC-PLG-21M8
		Pg 29x2 HC	ZP-MC16B-2-SSM29ML		0.758	ZP-MC-PLG-29M8
	Surface Mount w/Cover	Pg 21x2	ZP-MC16B-2-SSM21C		0.811	ZP-MC-PLG-21M8
		Pg 21x2 HC	ZP-MC16B-2-SSM21CL		1.029	ZP-MC-PLG-21M8
		Pg 29x2 HC	ZP-MC16B-2-SSM29CL		0.928	ZP-MC-PLG-29M8
	Surface Mount w/Automatic Cover	Pg 21x2	ZP-MC16B-2-SSM21CA		0.836	ZP-MC-PLG-21M8
		Pg 21x2 HC	ZP-MC16B-2-SM21CAL		1.175	ZP-MC-PLG-21M8
		Pg 29x2 HC	ZP-MC16B-2-SM29CAL		1.157	ZP-MC-PLG-29M8
	Bulkhead Base (Single Lever)	N/A	ZP-MC16B-2-SBHM		0.262	N/A
	Bulkhead w/Cover (Single Lever)	N/A	ZP-MC16B-2-SBHC		0.448	N/A
	Bulkhead w/Automatic Cover (Single Lever)	N/A	ZP-MC16B-2-SBHCA		0.613	N/A
Coupler (2 Pegs)	Pg 21	ZP-MC16B-2-SCP21M		0.410	ZP-MC-PLG-21M8	
Cover (Single Lever)	N/A	ZP-MC16B-2-SCVLM		0.224	N/A	
Cover (2 Pegs)	N/A	ZP-MC16B-2-SCVPM		0.119	N/A	
Double Lever / 4 Pegs	Top Entry Hood (4 Pegs)	Pg 21	ZP-MC16B-2-DTE21M		0.284	ZP-MC-PLG-21M8
		Pg 21 HC	ZP-MC16B-2-DTE21ML		0.493	ZP-MC-PLG-21M8
		Pg 29 HC	ZP-MC16B-2-DTE29ML		0.474	ZP-MC-PLG-29M8
	Top Double Entry Hood (4 Pegs)	Pg 16x2 HC	ZP-MC16B-2-DTE16M2		0.560	ZP-MC-PLG-16M8
		Pg 21x2 HC	ZP-MC16B-2-DTE21M2		0.547	ZP-MC-PLG-21M8
	Side Entry Hood (4 Pegs)	Pg 21	ZP-MC16B-2-DSE21M		0.324	ZP-MC-PLG-21M8
		Pg 21 HC	ZP-MC16B-2-DSE21ML		0.513	ZP-MC-PLG-21M8
		Pg 29 HC	ZP-MC16B-2-DSE29ML		0.513	ZP-MC-PLG-29M8
	Surface Mount Base	Pg 21x2	ZP-MC16B-2-DSM21M		0.674	ZP-MC-PLG-21M8
		Pg 21x2 HC	ZP-MC16B-2-DSM21ML		0.835	ZP-MC-PLG-21M8
		Pg 29x2 HC	ZP-MC16B-2-DSM29ML		0.809	ZP-MC-PLG-29M8
	Bulkhead Base (Double Lever)	N/A	ZP-MC16B-2-DBHM		0.295	N/A
	Coupler (Double Lever)	Pg 21	ZP-MC16B-2-DCP21M		0.445	ZP-MC-PLG-21M8
		Pg 21 HC	ZP-MC16B-2-DCP21ML		0.668	ZP-MC-PLG-21M8
		Pg 29 HC	ZP-MC16B-2-DCP29ML		0.681	ZP-MC-PLG-29M8
Cover (Double Lever)	N/A	ZP-MC16B-2-DCVLM		0.271	N/A	
Cover (4 Peg)	N/A	ZP-MC16B-2-DCVPM		0.116	N/A	

** To convert to NPT, select a Pg to NPT adapter.

*** Accessories pricing and details can be found in the Accessories section.

**** There are 2 openings per hood.



STD Series Multi-Wire Connectors Size 16B



Single Lever
Surface Mount Base



Single Lever Surface
Mount Base HC



Single Lever
Bulkhead Base



Single Lever Coupler



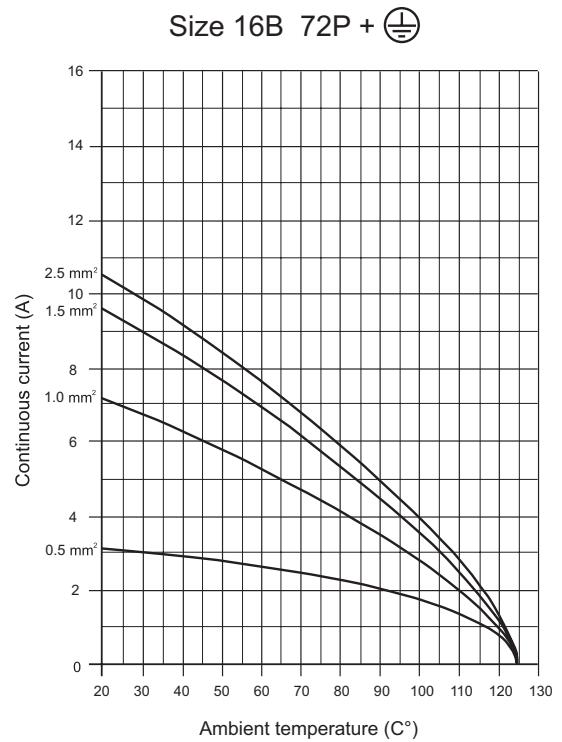
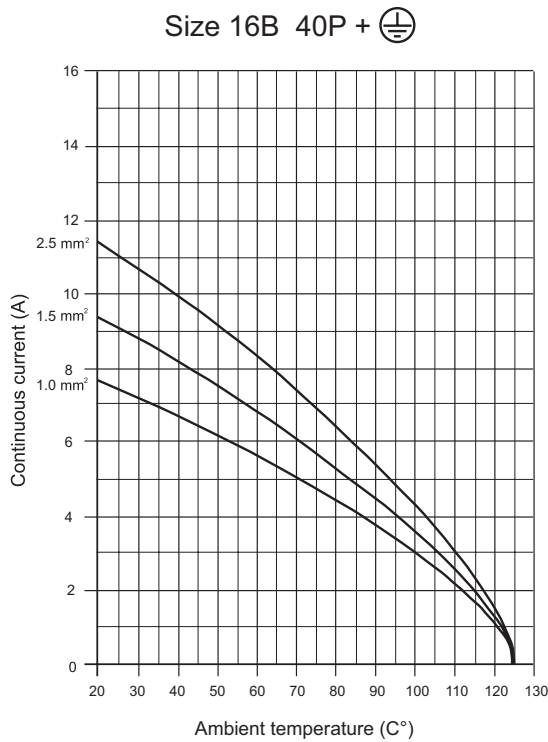
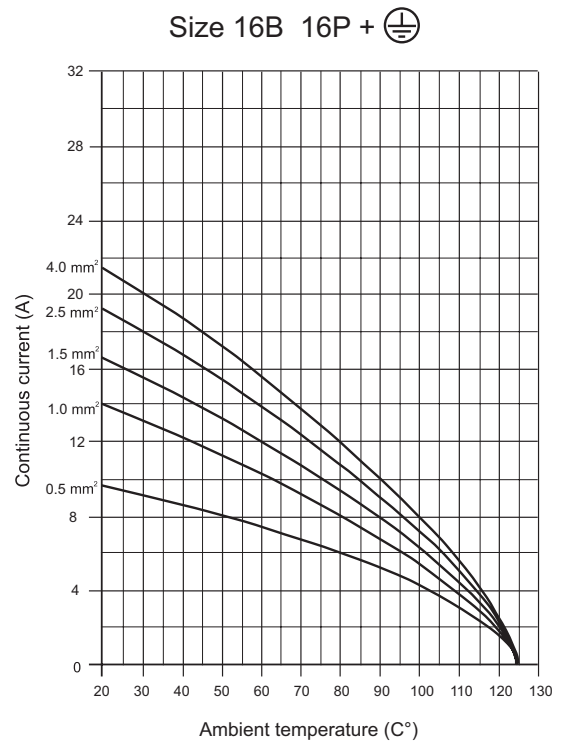
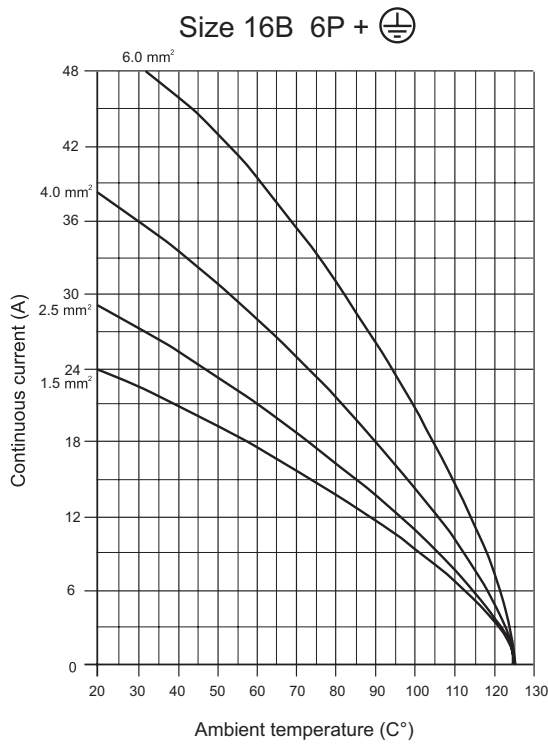
Single Lever
Cover

Accessories Continued***

Housing Component		IP66 Cable Glands	IP68 Cable Glands	Pg to NPT Adapter			
				Pg 16 to 1/2"	Pg 21 to 3/4"	Pg 29 to 1"	Pg 29 to 1 1/4"
Single Lever / 2 Pegs	Top Entry Hood (2 Pegs)	ZP-MC-CG-21M5	ZP-MC-CG-21M8	N/A	ZP-MC-A-21034	N/A	N/A
		N/A	ZP-MC-CG-21M8	N/A	ZP-MC-A-21034	N/A	N/A
		N/A	ZP-MC-CG-29M8	N/A	N/A	ZP-MC-A-29100	ZP-MC-A-29114
	Side Entry Hood (2 Pegs)	ZP-MC-CG-21M5	ZP-MC-CG-21M8	N/A	ZP-MC-A-21034	N/A	N/A
		N/A	ZP-MC-CG-21M8	N/A	ZP-MC-A-21034	N/A	N/A
		N/A	ZP-MC-CG-29M8	N/A	N/A	ZP-MC-A-29100	ZP-MC-A-29114
	Surface Mount Base	ZP-MC-CG-21M5	ZP-MC-CG-21M8	N/A	ZP-MC-A-21034	N/A	N/A
		ZP-MC-CG-21M5	ZP-MC-CG-21M8	N/A	ZP-MC-A-21034	N/A	N/A
		ZP-MC-CG-29M5	ZP-MC-CG-29M8	N/A	N/A	ZP-MC-A-29100	ZP-MC-A-29114
	Surface Mount w/Cover	ZP-MC-CG-21M5	ZP-MC-CG-21M8	N/A	ZP-MC-A-21034	N/A	N/A
		ZP-MC-CG-21M5	ZP-MC-CG-21M8	N/A	ZP-MC-A-21034	N/A	N/A
		ZP-MC-CG-29M5	ZP-MC-CG-29M8	N/A	N/A	ZP-MC-A-29100	ZP-MC-A-29114
	Surface Mount w/Automatic Cover	ZP-MC-CG-21M5	ZP-MC-CG-21M8	N/A	ZP-MC-A-21034	N/A	N/A
		ZP-MC-CG-21M5	ZP-MC-CG-21M8	N/A	ZP-MC-A-21034	N/A	N/A
		ZP-MC-CG-29M5	ZP-MC-CG-29M8	N/A	N/A	ZP-MC-A-29100	ZP-MC-A-29114
	Bulkhead Base (Single Lever)	N/A	N/A	N/A	N/A	N/A	N/A
	Bulkhead w/Cover (Single Lever)	N/A	N/A	N/A	N/A	N/A	N/A
	Bulkhead w/Automatic Cover (Single Lever)	N/A	N/A	N/A	N/A	N/A	N/A
	Coupler (2 Pegs)	ZP-MC-CG-21M5	ZP-MC-CG-21M8	N/A	ZP-MC-A-21034	N/A	N/A
	Cover (Single Lever)	N/A	N/A	N/A	N/A	N/A	N/A
Cover (2 Pegs)	N/A	N/A	N/A	N/A	N/A	N/A	
Double Lever / 4 Pegs	Top Entry Hood (4 Pegs)	ZP-MC-CG-21M5	ZP-MC-CG-21M8	N/A	ZP-MC-A-21034	N/A	N/A
		N/A	ZP-MC-CG-21M8	N/A	ZP-MC-A-21034	N/A	N/A
		N/A	ZP-MC-CG-29M8	N/A	N/A	ZP-MC-A-29100	ZP-MC-A-29114
	Top Double Entry Hood (4 Pegs)	N/A	ZP-MC-CG-16M8	ZP-MC-A-16012	N/A	N/A	N/A
		N/A	ZP-MC-CG-21M8	N/A	ZP-MC-A-21034	N/A	N/A
	Side Entry Hood (4 Pegs)	ZP-MC-CG-21M5	ZP-MC-CG-21M8	N/A	ZP-MC-A-21034	N/A	N/A
		N/A	ZP-MC-CG-21M8	N/A	ZP-MC-A-21034	N/A	N/A
		N/A	ZP-MC-CG-29M8	N/A	N/A	ZP-MC-A-29100	ZP-MC-A-29114
	Surface Mount Base	ZP-MC-CG-21M5	ZP-MC-CG-21M8	N/A	ZP-MC-A-21034	N/A	N/A
		N/A	ZP-MC-CG-21M8	N/A	ZP-MC-A-21034	N/A	N/A
		N/A	ZP-MC-CG-29M8	N/A	N/A	ZP-MC-A-29100	ZP-MC-A-29114
	Bulkhead Base (Double Lever)	N/A	N/A	N/A	N/A	N/A	N/A
	Coupler (Double Lever)	ZP-MC-CG-21M5	ZP-MC-CG-21M8	N/A	ZP-MC-A-21034	N/A	N/A
		N/A	ZP-MC-CG-21M8	N/A	ZP-MC-A-21034	N/A	N/A
N/A		ZP-MC-CG-29M8	N/A	N/A	ZP-MC-A-29100	ZP-MC-A-29114	
Cover (Double Lever)	N/A	N/A	N/A	N/A	N/A	N/A	
Cover (4 Pegs)	N/A	N/A	N/A	N/A	N/A	N/A	

*** Accessories pricing and details can be found in the Accessories section.

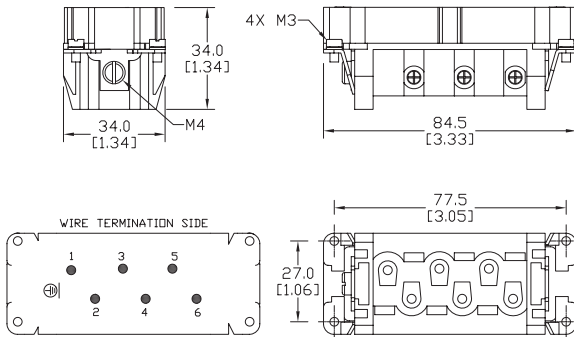
Electrical Engineering Data - Load Diagrams



Size 16B Inserts

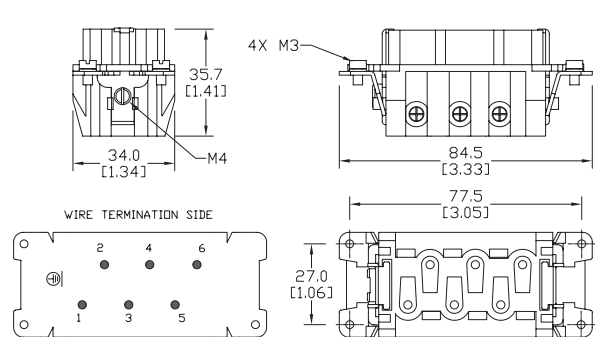
Dimensions mm [in]

6 + – Screw Terminals Male



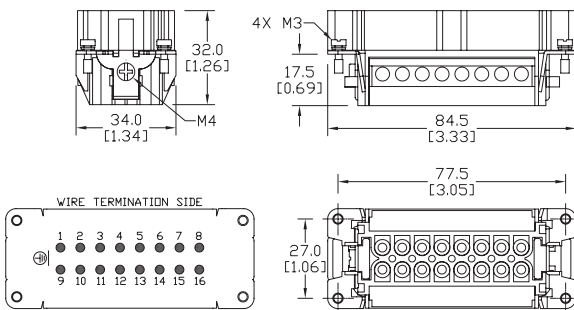
ZP-MC16B-1-MS006

Female



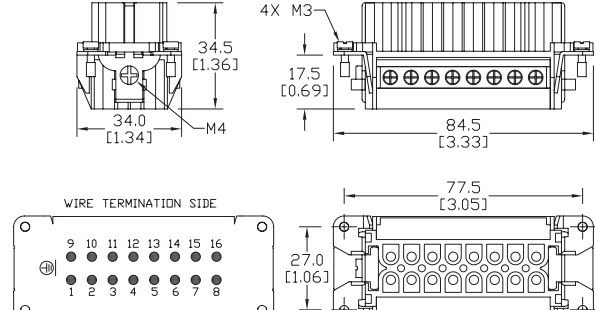
ZP-MC16B-1-FS006

16 + – Screw Terminals Male



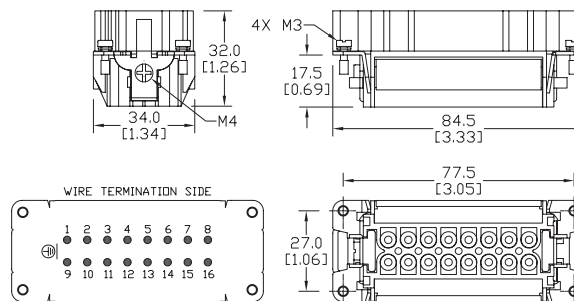
ZP-MC16B-1-MS016

Female



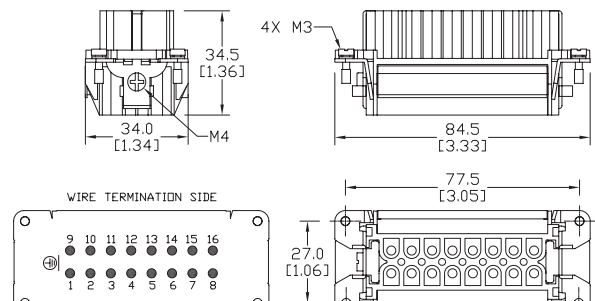
ZP-MC16B-1-FS016

16 + – Crimp Contacts Male



ZP-MC16B-1-MC016

Female



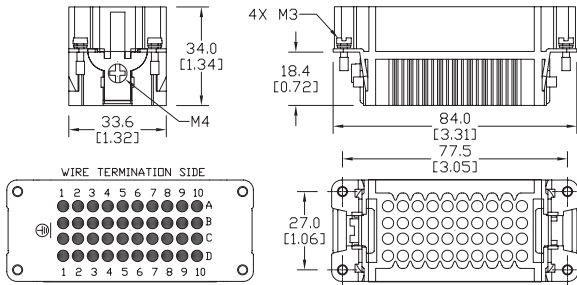
ZP-MC16B-1-FC016



STD Series Multi-Wire Dimensions

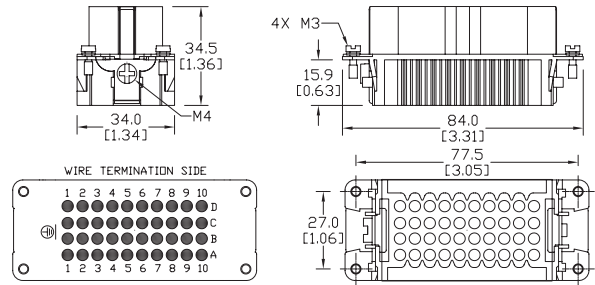
Size 16B Inserts Dimensions mm [in]

40 + – Crimp Contacts Male



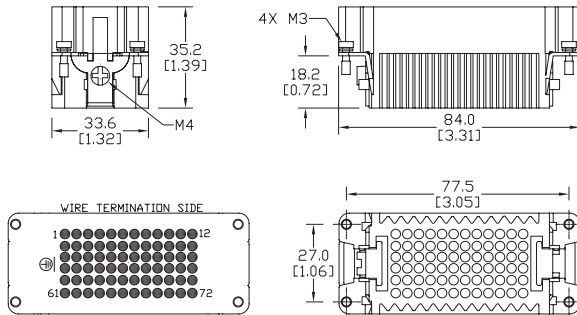
ZP-MC16B-1-MC040

Female



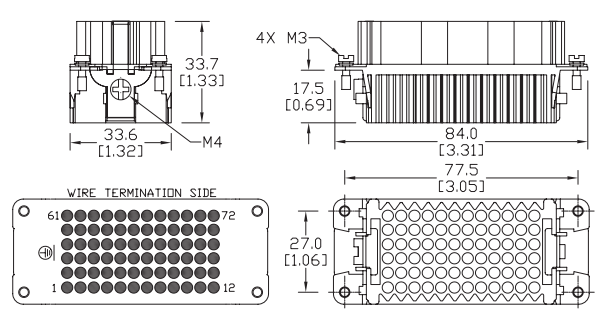
ZP-MC16B-1-FC040

72 + – Crimp Contacts Male



ZP-MC16B-1-MC072

Female



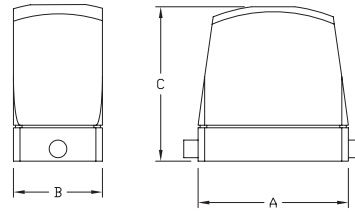
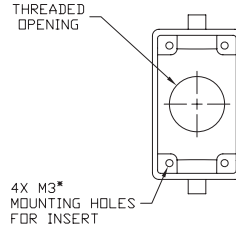
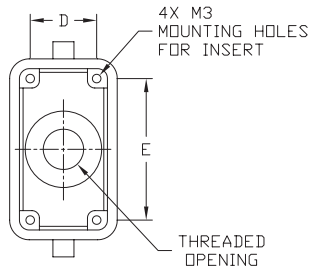
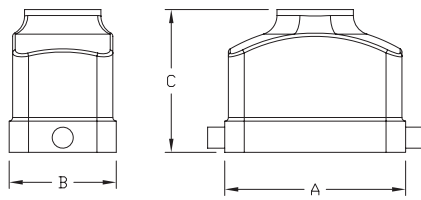
ZP-MC16B-1-FC072

Size 6B, 10B, 16B, 24B, 32B Hoods

Dimensions mm [in]

Single Lever Top Entry High Construction Hood

Single Lever Top Entry Hood

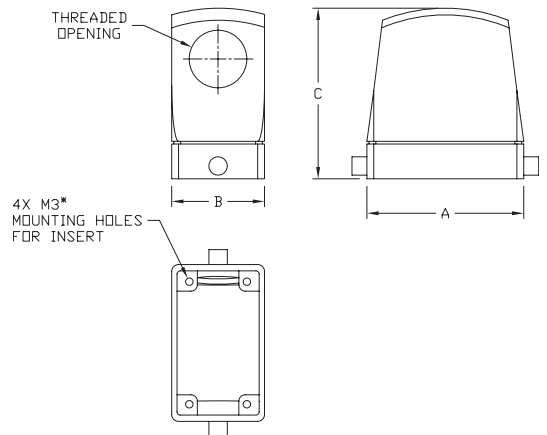
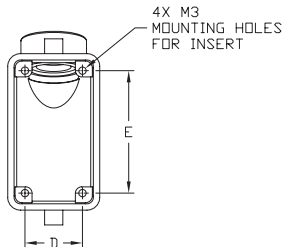
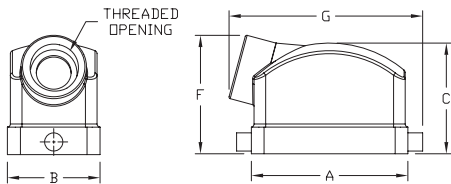


Single Lever Top Entry Hood							
Part Number	Size	Thread	A	B	C	D	E
ZP-MC06B-2-STE16M	6B	Pg 16	60.0 [2.36]	43.5 [1.71]	53.0 [2.09]	27.0 [1.06]	44.0 [1.73]
ZP-MC10B-2-STE16M	10B	Pg 16	73.5 [2.89]	43.5 [1.71]	58.0 [2.28]	27.0 [1.06]	57.0 [2.24]
ZP-MC16B-2-STE21M	16B	Pg 21	94 [3.70]	43.5 [1.71]	58.0 [2.28]	27.0 [1.06]	77.5 [3.05]
ZP-MC24B-2-STE21M	24B	Pg 21	120.5 [4.74]	43.5 [1.71]	68.0 [2.68]	27.0 [1.06]	104.0 [4.09]

Single Lever Top Entry High Construction Hood					
Part Number	Size	Thread	A	B	C
ZP-MC06B-2-STE21ML	6B	Pg 21	60.0	43.5	75.0
ZP-MC06B-2-STE29ML		Pg 29	[2.36]	[1.71]	[2.95]
ZP-MC10B-2-STE21ML	10B	Pg 21	73.5	43.5	75.5
ZP-MC10B-2-STE29ML		Pg 29	[2.89]	[1.71]	[2.97]
ZP-MC16B-2-STE21ML	16B	Pg 21	94.0	43.5	75.5
ZP-MC16B-2-STE29ML		Pg 29	[3.70]	[1.71]	[2.97]
ZP-MC24B-2-STE21ML	24B	Pg 21	120.5	43.5	75.5
ZP-MC24B-2-STE29ML		Pg 29	[4.74]	[1.71]	[2.97]

Single Lever Side Entry High Construction Hood

Single Lever Side Entry Hood



Single Lever Side Entry Hood									
Part Number	Size	Thread	A	B	C	D	E	F	G
ZP-MC06B-2-SSE16M	6B	Pg 16	60.0 [2.36]	43.5 [1.71]	47.0 [1.85]	27.0 [1.06]	44.0 [1.73]	54.0 [2.13]	78.5 [3.09]
ZP-MC10B-2-SSE16M	10B	Pg 16	73.5 [2.89]	43.5 [1.71]	52.0 [2.05]	27.0 [1.06]	57.0 [2.24]	55.6 [2.19]	90.9 [3.58]
ZP-MC16B-2-SSE21M	16B	Pg 21	94.0 [3.70]	43.5 [1.71]	63.0 [2.48]	27.0 [1.06]	77.5 [3.05]	66.2 [2.61]	109.7 [4.32]
ZP-MC24B-2-SSE21M	24B	Pg 21	120.5 [4.74]	43.5 [1.71]	63.0 [2.48]	27.0 [1.06]	104.0 [4.09]	65.4 [2.58]	136.4 [5.37]

Single Lever Side Entry High Construction Hood					
Part Number	Size	Thread	A	B	C
ZP-MC06B-2-SSE21ML	6B	Pg 21	60.0	43.5	80.0
ZP-MC06B-2-SSE29ML		Pg 29	[2.36]	[1.71]	[3.15]
ZP-MC10B-2-SSE21ML	10B	Pg 21	73.5	43.5	80.0
ZP-MC10B-2-SSE29ML		Pg 29	[2.90]	[1.71]	[3.15]
ZP-MC16B-2-SSE21ML	16B	Pg 21	94.0	43.5	80.0
ZP-MC16B-2-SSE29ML		Pg 29	[3.70]	[1.71]	[3.15]
ZP-MC24B-2-SSE21ML	24B	Pg 21	120.5	43.5	80.0
ZP-MC24B-2-SSE29ML		Pg 29	[4.74]	[1.71]	[3.15]
ZP-MC32B-2-SSE36M	32B*	Pg 36	94.0 [3.70]	83.0 [3.27]	94.0 [3.70]

*Note: Size 32B hoods require 2 of the 16B inserts.

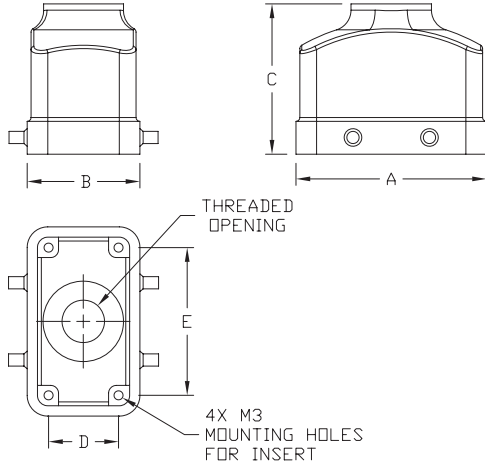


STD Series Multi-Wire Dimensions

Size 10B, 16B, 24B, 32B Hoods

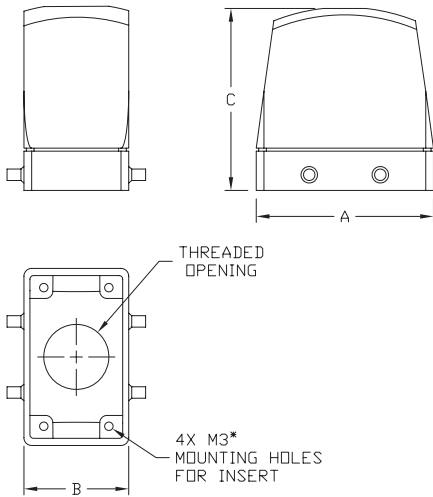
Dimensions mm [in]

Double Lever Top Entry Hood



Double Lever Top Entry Hood							
Part Number	Size	Thread	A	B	C	D	E
ZP-MC10B-2-DTE16M	10B	Pg 16	73.5 [2.89]	43.5 [1.71]	58.0 [2.28]	27.0 [1.06]	57.0 [2.24]
ZP-MC16B-2-DTE21M	16B	Pg 21	94.0 [3.70]	43.5 [1.71]	58.0 [2.28]	27.0 [1.06]	77.5 [3.05]
ZP-MC24B-2-DTE21M	24B	Pg 21	120.5 [4.74]	43.5 [1.71]	68.0 [2.68]	27.0 [1.06]	104.0 [4.09]
ZP-MC24B-2-DTE29M		Pg 29					

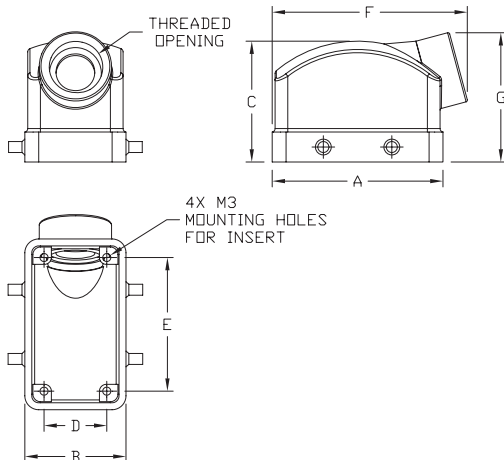
Double Lever Top Entry High Construction Hood



Double Lever Top High Construction Hood					
Part Number	Size	Thread	A	B	C
ZP-MC10B-2-DTE21ML	10B	Pg 21	73.5 [2.89]	43.5 [1.71]	75.5 [2.97]
ZP-MC10B-2-DTE29ML		Pg 29			
ZP-MC16B-2-DTE21ML	16B	Pg 21	94.0 [3.70]	43.5 [1.71]	75.5 [2.97]
ZP-MC16B-2-DTE29ML		Pg 29			
ZP-MC24B-2-DTE21ML	24B	Pg 21	120.5 [4.74]	43.5 [1.71]	75.5 [2.97]
ZP-MC24B-2-DTE29ML		Pg 29			
ZP-MC32B-2-DTE36M	32B*	Pg 36	94.0 [3.70]	83.0 [3.27]	89.0 [3.50]

*Note: Size 32B hoods require 2 of the 16B inserts

Double Lever Side Entry Hood



Double Lever Side Entry Hood									
Part Number	Size	Thread	A	B	C	D	E	F	G
ZP-MC10B-2-DSE16M	10B	Pg 16	73.5 [2.89]	43.5 [1.71]	52.0 [2.05]	27.5 [1.08]	57.5 [2.26]	57.5 [2.26]	83.9 [3.30]
ZP-MC16B-2-DSE21M	16B	Pg 21	94.0 [3.70]	43.5 [1.71]	63.0 [2.48]	27.5 [1.08]	77.5 [3.05]	58.0 [2.28]	102.7 [4.04]
ZP-MC24B-2-DSE21M	24B	Pg 21	120.5 [4.74]	43.5 [1.71]	63.0 [2.48]	27.5 [1.08]	104.0 [4.09]	57.0 [2.24]	129.3 [5.09]
ZP-MC24B-2-DSE29M		Pg 29							

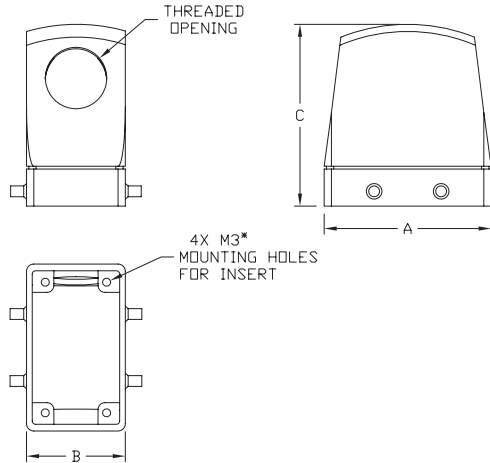


STD Series Multi-Wire Dimensions

Size 10B, 16B, 24B, 32B Hoods

Dimensions mm [in]

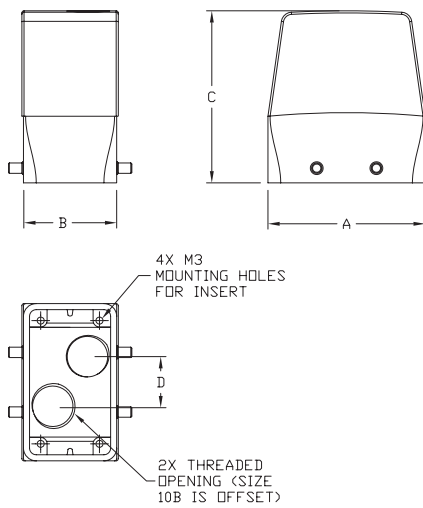
Double Lever Side Entry High Construction Hood



Double Lever Side Entry High Construction Hood					
Part Number	Size	Thread	A	B	C
ZP-MC10B-2-DSE21ML	10B	Pg 21	73.5	43.5	80.0
ZP-MC10B-2-DSE29ML		Pg 29	[2.89]	[1.71]	[3.15]
ZP-MC16B-2-DSE21ML	16B	Pg 21	94.0	43.5	80.0
ZP-MC16B-2-DSE29ML		Pg 29	[3.70]	[1.71]	[3.15]
ZP-MC24B-2-DSE21ML	24B	Pg 21	120.5	43.5	80.0
ZP-MC24B-2-DSE29ML		Pg 29	[4.74]	[1.71]	[3.15]
ZP-MC32B-2-DSE36M	32B*	Pg 36	94.0	83.0	94.0

*Note: Size 32B hoods require 2 of the 16B inserts.

Double Lever Double Top Entry Hood High Construction

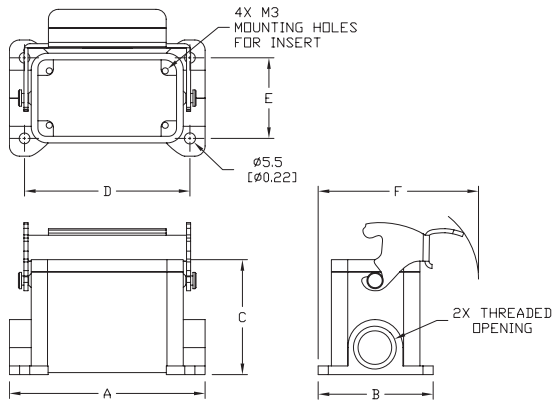


Double Lever Double Top Entry High Construction Hood						
Part Number	Size	Thread	A	B	C	D
ZP-MC10B-2-DTE13M2	10B	Pg 13.5x2	73.5 [2.89]	43.5 [1.71]	81.0 [3.19]	24.0 [0.94]
ZP-MC16B-2-DTE16M2	16B	Pg 16x2	94.0	43.5	81.0	38.0
ZP-MC16B-2-DTE21M2		Pg 21x2	[3.70]	[1.71]	[3.19]	[1.50]
ZP-MC24B-2-DTE21M2	24B	Pg 21x2	120.5	43.5	81.0	53.0
ZP-MC24B-2-DTE29M2		Pg 29x2	[4.74]	[1.71]	[3.19]	[2.09]

Size 6B, 10B, 16B, 24B, 32B Bases

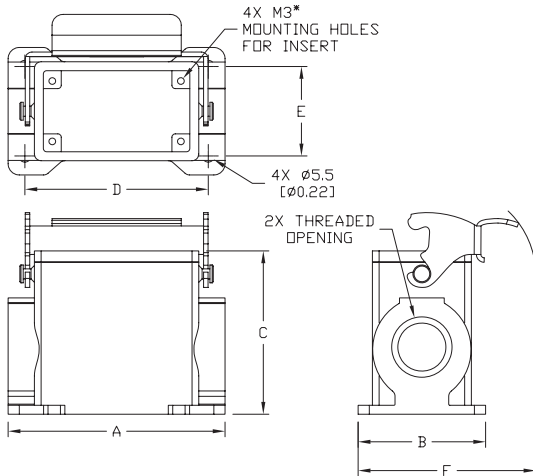
Dimensions mm [in]

Single Lever Surface Mount Base



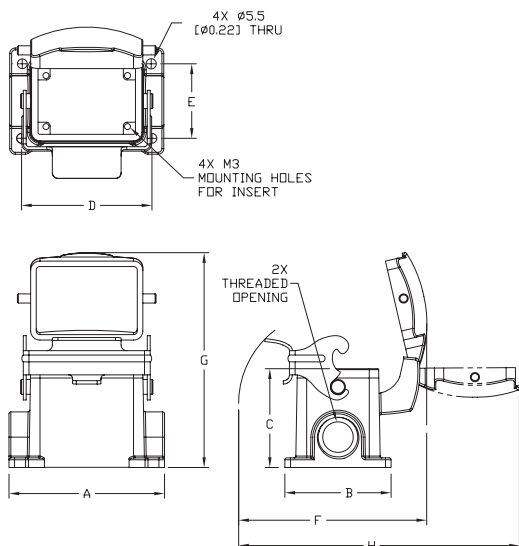
Single Lever Surface Mount Base								
Part Number	Size	Thread	A	B	C	D	E	F
ZP-MC06B-2-SSM16M	6B	Pg 16x2	83.5 [3.29]	57.0 [2.24]	53.0 [2.09]	70.0 [2.76]	40.0 [1.57]	79.5 [3.13]
ZP-MC10B-2-SSM16M	10B	Pg 16x2	97.0 [3.82]	57.0 [2.24]	57.0 [2.24]	82.0 [3.23]	40.0 [1.57]	79.5 [3.13]
ZP-MC16B-2-SSM21M	16B	Pg 21x2	117.0 [4.61]	57.0 [2.24]	63.0 [2.48]	105.0 [4.13]	45.0 [1.77]	79.5 [3.13]
ZP-MC24B-2-SSM21M	24B	Pg 21x2	143.5 [5.65]	57.0 [2.24]	63.0 [2.48]	132 [5.20]	45.0 [1.77]	79.5 [3.13]
ZP-MC32B-2-SSM36M	32B	Pg 36x2	125.0 [4.92]	84.5 [3.33]	87.5 [3.44]	112.0 [4.41]	67.0 [2.64]	115.5 [4.55]

Single Lever High Construction Surface Mount Base



Single Lever High Construction Surface Mount Base								
Part Number	Size	Thread	A	B	C	D	E	F
ZP-MC06B-2-SSM21ML	6B	Pg 21x2	83.5 [3.29]	57.0 [2.24]	72.0 [2.84]	70.0 [2.76]	40.0 [1.57]	79.5 [3.13]
ZP-MC06B-2-SSM29ML		Pg 29x2						
ZP-MC10B-2-SSM21ML	10B	Pg 21x2	97.0 [3.82]	57.0 [2.24]	73.0 [2.88]	82.0 [3.23]	40.0 [1.57]	79.5 [3.13]
ZP-MC10B-2-SSM29ML		Pg 29x2						
ZP-MC16B-2-SSM21ML	16B	Pg 21x2	117.0 [4.61]	57.0 [2.24]	77.0 [3.03]	105.0 [4.13]	45.0 [1.77]	79.5 [3.13]
ZP-MC16B-2-SSM29ML		Pg 29x2						
ZP-MC24B-2-SSM21ML	24B	Pg 21x2	143.5 [5.65]	57.0 [2.24]	80.0 [3.15]	132.0 [5.20]	45.0 [1.77]	79.5 [3.13]
ZP-MC24B-2-SSM29ML		Pg 29x2						

Single Lever Surface Mount Base With Cover



Single Lever Surface Mount Base With Cover										
Part Number	Size	Thread	A	B	C	D	E	F	G	H
ZP-MC06B-2-SSM16C	6B	Pg 16x2	83.5 [3.29]	57.0 [2.24]	53.0 [2.09]	70.0 [2.76]	40.0 [1.57]	101.0 [3.98]	115.3 [4.54]	150.7 [5.93]
ZP-MC10B-2-SSM16C	10B	Pg 16x2	97.0 [3.82]	57.0 [2.24]	57.0 [2.24]	82.0 [3.23]	40.0 [1.57]	101.0 [3.98]	115.3 [4.54]	145.5 [5.73]
ZP-MC16B-2-SSM21C	16B	Pg 21x2	117.0 [4.61]	57.0 [2.24]	63.0 [2.48]	105.0 [4.13]	45.0 [1.77]	101.0 [3.98]	124.5 [4.90]	145.5 [5.73]
ZP-MC24B-2-SSM21C	24B	Pg 21x2	143.5 [5.65]	57.0 [2.24]	63.0 [2.48]	132.0 [5.20]	45.0 [1.77]	101.0 [3.98]	124.5 [4.90]	145.5 [5.73]
ZP-MC32B-2-SSM36C	32B	Pg 36x2	125.0 [4.92]	84.5 [3.33]	87.5 [3.44]	112.0 [4.41]	67.0 [2.64]	146.0 [5.75]	187.0 [7.36]	228.9 [9.01]

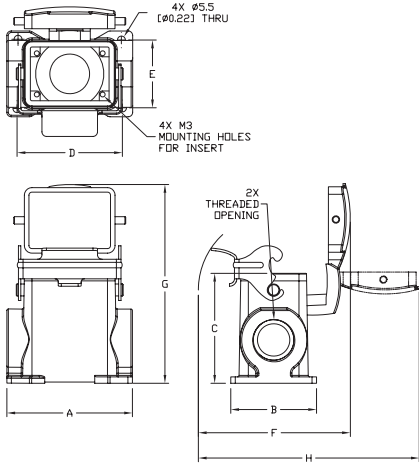


STD Series Multi-Wire Dimensions

Size 6B, 10B, 16B, 24B, 32B Bases

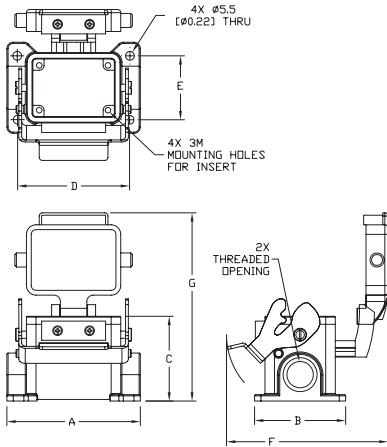
Dimensions mm [in]

Single Lever High Construction Surface Mount Base With Cover



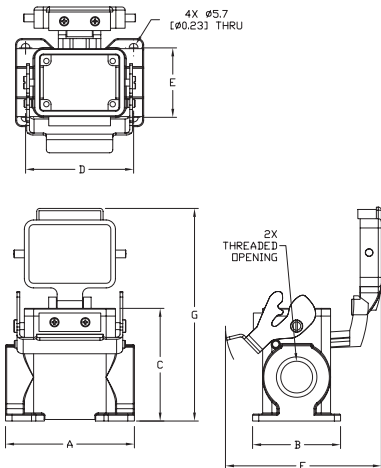
Single Lever High Construction Surface Mount Base With Cover										
Part Number	Size	Thread	A	B	C	D	E	F	G	H
ZP-MC06B-2-SSM21CL	6B	Pg 21x2	83.5	57.0	73.0	70.0	45.0	101.0	132.1	146.8
ZP-MC06B-2-SSM29CL		Pg 29x2	[3.29]	[2.24]	[2.87]	[2.76]	[1.77]	[3.98]	[5.20]	[5.78]
ZP-MC10B-2-SSM21CL	10B	Pg 21x2	97.0	57.0	73.0	82.0	45.0	101.0	133.3	148.0
ZP-MC10B-2-SSM29CL		Pg 29x2	[3.82]	[2.24]	[2.87]	[3.23]	[1.77]	[3.98]	[5.25]	[5.83]
ZP-MC16B-2-SSM21CL	16B	Pg 21x2	117.0	57.0	77.0	105.0	45.0	101.0	137.5	150.0
ZP-MC16B-2-SSM29CL		Pg 29x2	[4.61]	[2.24]	[3.03]	[4.13]	[1.77]	[3.98]	[5.41]	[5.91]
ZP-MC24B-2-SSM21CL	24B	Pg 21x2	143.5	57.0	80.0	132.0	45.0	101.0	140.5	154.4
ZP-MC24B-2-SSM29CL		Pg 29x2	[5.65]	[2.24]	[3.15]	[5.20]	[1.77]	[3.98]	[5.53]	[6.08]

Single Lever Surface Mount Base With Automatic Cover



Single Lever Surface Mount Base With Automatic Cover										
Part Number	Size	Thread	A	B	C	D	E	F	G	
ZP-MC06B-2-SSM16CA	6B	Pg 16x2	83.5	57.0	53.0	70.0	40.0	101.0	117.8	
			[3.29]	[2.24]	[2.09]	[2.76]	[1.57]	[3.98]	[4.64]	
ZP-MC10B-2-SSM16CA	10B	Pg 16x2	97.0	57.0	57.0	82.0	40.0	101.0	121.0	
			[3.82]	[2.24]	[2.24]	[3.23]	[1.57]	[3.98]	[4.76]	
ZP-MC16B-2-SSM21CA	16B	Pg 21x2	117.0	57.0	63.0	105.0	45.0	101.0	127.5	
			[4.61]	[2.24]	[2.48]	[4.13]	[1.77]	[3.98]	[5.02]	
ZP-MC24B-2-SSM21CA	24B	Pg 21x2	143.5	57.0	63.0	132.0	45.0	101.0	127.8	
			[5.65]	[2.24]	[2.48]	[5.20]	[1.77]	[3.98]	[5.03]	

Single Lever High Construction Surface Mount Base With Automatic Cover



Single Lever High Construction Surface Mount Base With Automatic Cover										
Part Number	Size	Thread	A	B	C	D	E	F	G	
ZP-MC06B-2-SSM21CA	6B	Pg 21x2	83.5	57.0	73.0	70.0	45.0	101.0	137.3	
ZP-MC06B-2-SSM29CA		Pg 29x2	[3.29]	[2.24]	[2.87]	[2.76]	[1.77]	[3.98]	[5.41]	
ZP-MC10B-2-SSM21CA	10B	Pg 21x2	97.0	57.0	73.0	82.0	45.0	101.0	137.3	
ZP-MC10B-2-SSM29CA		Pg 29x2	[3.82]	[2.24]	[2.87]	[3.23]	[1.77]	[3.98]	[5.41]	
ZP-MC16B-2-SM21CAL	16B	Pg 21x2	117.0	57.0	77.0	105.0	45.0	101.0	141.7	
ZP-MC16B-2-SM29CAL		Pg 29x2	[4.61]	[2.24]	[3.03]	[4.13]	[1.77]	[3.98]	[5.58]	
ZP-MC24B-2-SM21CAL	24B	Pg 21x2	143.5	57.0	80.0	132.0	45.0	101.0	144.8	
ZP-MC24B-2-SM29CAL		Pg 29x2	[5.65]	[2.24]	[3.15]	[5.20]	[1.77]	[3.98]	[5.70]	

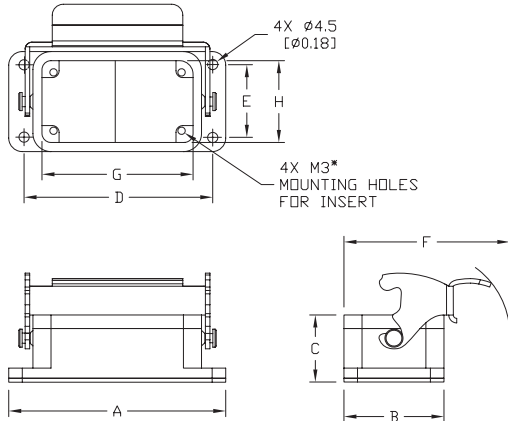


STD Series Multi-Wire Dimensions

Size 6B, 10B, 16B, 24B, 32B Bases

Dimensions mm [in]

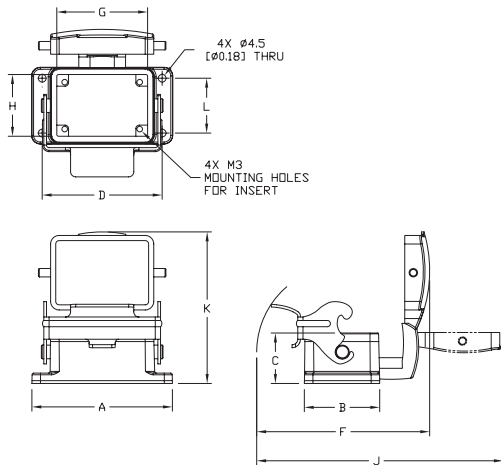
Single Lever Bulkhead Base



Single Lever Bulkhead Base									
Part Number	Size	A	B	C	D	E	F	G*	H*
ZP-MC06B-2-SBHM	6B	82.0 [3.23]	44.0 [1.73]	29.5 [1.16]	70.0 [2.75]	32.0 [1.26]	73.0 [2.88]	53.0 [2.09]	36.0 [1.42]
ZP-MC10B-2-SBHM	10B	95.5 [3.76]	44.0 [1.73]	29.5 [1.16]	83.0 [3.27]	32.0 [1.26]	73.0 [2.88]	66.5 [2.62]	36.0 [1.42]
ZP-MC16B-2-SBHM	16B	115.5 [4.55]	44.0 [1.73]	29.5 [1.16]	103.0 [4.06]	32.0 [1.26]	73.0 [2.88]	86.5 [3.41]	36.0 [1.42]
ZP-MC24B-2-SBHM	24B	142.5 [5.61]	44.0 [1.73]	29.5 [1.16]	130.0 [5.12]	32.0 [1.26]	73.0 [2.88]	113.0 [4.45]	36.0 [1.42]
ZP-MC32B-2-SBHM	32B	124.5 [4.90]	84.5 [3.33]	35.5 [1.40]	110.0 [4.33]	65.0 [2.56]	116.0 [4.57]	87.5 [3.44]	76.5 [3.01]

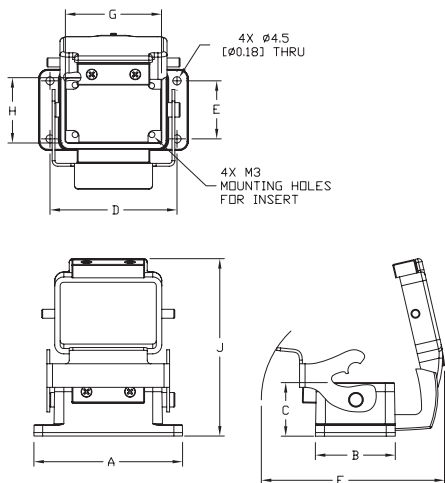
*Dimensions G and H refer to cutout size

Single Lever Bulkhead Base with Cover



Single Lever Bulkhead Base With Cover										
Part Number	Size	A	B	C	D	E	F	G	H	J
ZP-MC06B-2-SBHC	6B	82.0 [3.23]	44.0 [1.73]	29.5 [1.16]	70.0 [2.75]	32.0 [1.26]	101.0 [3.98]	53.0 [2.09]	36.0 [1.42]	88.5 [3.48]
ZP-MC10B-2-SBHC	10B	95.5 [3.76]	44.0 [1.73]	29.5 [1.16]	83.0 [3.27]	32.0 [1.26]	101.0 [3.98]	66.5 [2.62]	36.0 [1.42]	88.5 [3.48]
ZP-MC16B-2-SBHC	16B	115.5 [4.55]	44.0 [1.73]	29.5 [1.16]	103.0 [4.06]	32.0 [1.26]	101.0 [3.98]	86.5 [3.41]	36.0 [1.42]	88.5 [3.48]
ZP-MC24B-2-SBHC	24B	142.5 [5.61]	44.0 [1.73]	29.5 [1.16]	130.0 [5.12]	32.0 [1.26]	101.0 [3.98]	113.0 [4.45]	36.0 [1.42]	88.5 [3.48]
ZP-MC32B-2-SBHC	32B	124.5 [4.90]	84.5 [3.33]	35.5 [1.40]	110.0 [4.33]	65.0 [2.56]	146.0 [5.75]	87.5 [3.44]	76.5 [3.01]	134.5 [5.30]

Single Lever Bulkhead Base with Automatic Cover



Single Lever Bulkhead Base With Automatic Cover										
Part Number	Size	A	B	C	D	E	F	G*	H*	J
ZP-MC06B-2-SBHCA	6B	82.0 [3.23]	44.0 [1.73]	29.5 [1.16]	70.0 [2.75]	32.0 [1.26]	101.0 [3.98]	53.0 [2.09]	36.0 [1.42]	97.8 [3.85]
ZP-MC10B-2-SBHCA	10B	95.5 [3.76]	44.0 [1.73]	29.5 [1.16]	83.0 [3.27]	32.0 [1.26]	101.0 [3.98]	66.5 [2.62]	36.0 [1.42]	97.8 [3.85]
ZP-MC16B-2-SBHCA	16B	115.5 [4.55]	44.0 [1.73]	29.5 [1.16]	103.0 [4.06]	32.0 [1.26]	101.0 [3.98]	86.5 [3.41]	36.0 [1.42]	97.8 [3.85]
ZP-MC24B-2-SBHCA	24B	142.5 [5.61]	44.0 [1.73]	29.5 [1.16]	130.0 [5.12]	32.0 [1.26]	101.0 [3.98]	113.0 [4.45]	36.0 [1.42]	97.8 [3.85]

*Dimensions G and H refer to cutout size

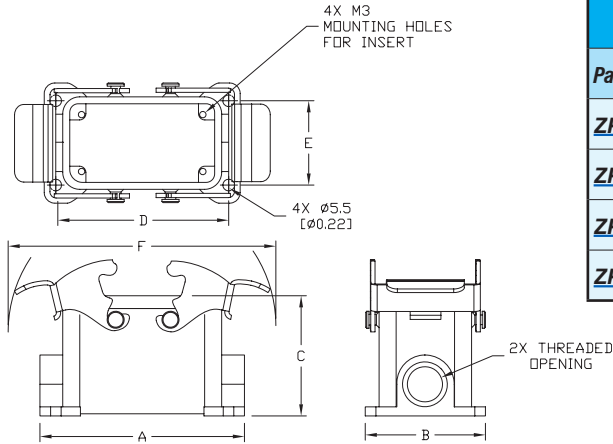


STD Series Multi-Wire Dimensions

Size 10B, 16B, 24B, 32B Bases

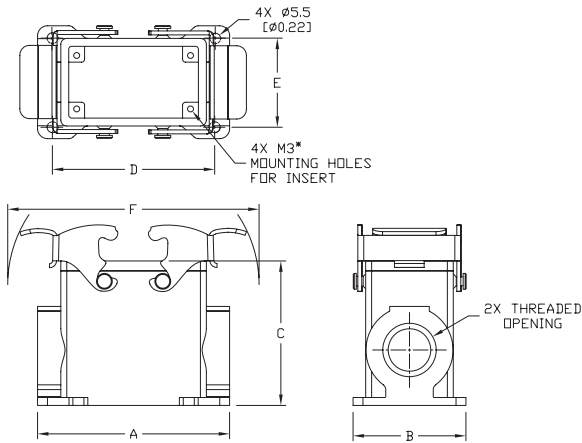
Dimensions mm [in]

Double Lever Surface Mount Base



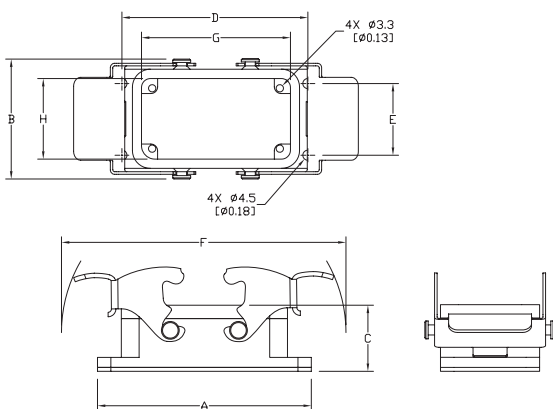
Double Lever Surface Mount Base								
Part Number	Size	Thread	A	B	C	D	E	F
ZP-MC10B-2-DSM16M	10B	Pg 16x2	97.0 [3.82]	57.0 [2.24]	57.0 [2.24]	82.0 [3.23]	40.0 [1.57]	127.0 [5.00]
ZP-MC16B-2-DSM21M	16B	Pg 21x2	117.0 [4.61]	57.0 [2.24]	63.0 [2.48]	105.0 [4.13]	45.0 [1.77]	147.0 [5.79]
ZP-MC24B-2-DSM21M	24B	Pg 21x2	143.5 [5.65]	57.0 [2.24]	63.0 [2.48]	132.0 [5.20]	45.0 [1.77]	174.0 [6.85]
ZP-MC32B-2-DSM36M	32B	Pg 36x2	125.0 [4.92]	84.5 [3.33]	87.5 [3.44]	112.0 [4.41]	67.0 [2.64]	147.0 [5.79]

Double Lever High Construction Surface Mount Base



Double Lever High Construction Surface Mount Base								
Part Number	Size	Thread	A	B	C	D	E	F
ZP-MC10B-2-DSM21ML	10B	Pg 21x2	97.0 [3.82]	57.0 [2.24]	73.0 [2.87]	82.0 [3.23]	45.0 [1.77]	127.0 [5.00]
ZP-MC10B-2-DSM29ML		Pg 29x2						
ZP-MC16B-2-DSM21ML	16B	Pg 21x2	117.0 [4.61]	57.0 [2.24]	77.0 [3.03]	105.0 [4.13]	45.0 [1.77]	147.0 [5.79]
ZP-MC16B-2-DSM29ML		Pg 29x2						
ZP-MC24B-2-DSM21ML	24B	Pg 21x2	143.5 [5.65]	57.0 [2.24]	80.0 [3.15]	132.0 [5.20]	45.0 [1.77]	174.0 [6.85]
ZP-MC24B-2-DSM29ML		Pg 29x2						

Double Lever Bulkhead Base



Double Lever Bulkhead Base									
Part Number	Size	A	B	C	D	E	F	G*	H*
ZP-MC10B-2-DBHM	10B	95.5 [3.76]	53.5 [2.11]	29.5 [1.16]	83.0 [3.27]	32.0 [1.26]	127.0 [5.00]	66.5 [2.62]	36.0 [1.42]
ZP-MC16B-2-DBHM	16B	115.5 [4.55]	53.5 [2.11]	29.5 [1.16]	103.0 [4.05]	32.0 [1.26]	147.0 [5.79]	86.5 [3.41]	36.0 [1.42]
ZP-MC24B-2-DBHM	24B	142.5 [5.61]	53.5 [2.11]	29.5 [1.16]	130.0 [5.19]	32.0 [1.26]	174.0 [6.85]	113.0 [4.45]	36.0 [1.42]
ZP-MC32B-2-DBHM	32B	124.5 [4.90]	84.5 [3.33]	35.5 [1.40]	110.0 [4.33]	65.0 [2.56]	147.0 [5.79]	87.5 [3.44]	76.5 [3.01]

*Dimensions G and H refer to cutout size

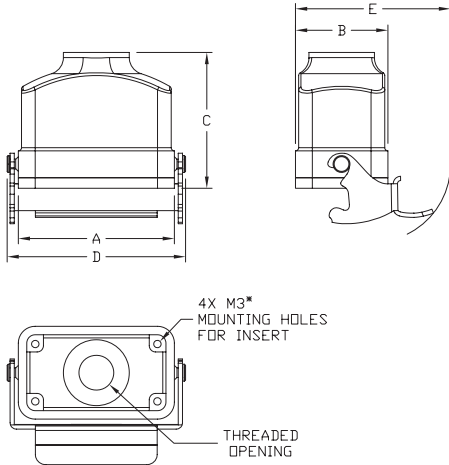


STD Series Multi-Wire Dimensions

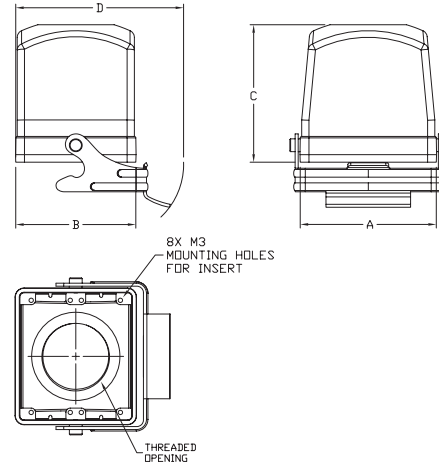
Size 6B, 10B, 16B, 24B, 32B Couplers

Dimensions mm [in]

Single Lever Coupler



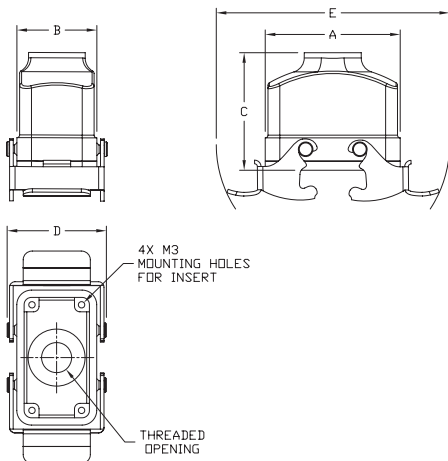
Single Lever High Construction Coupler



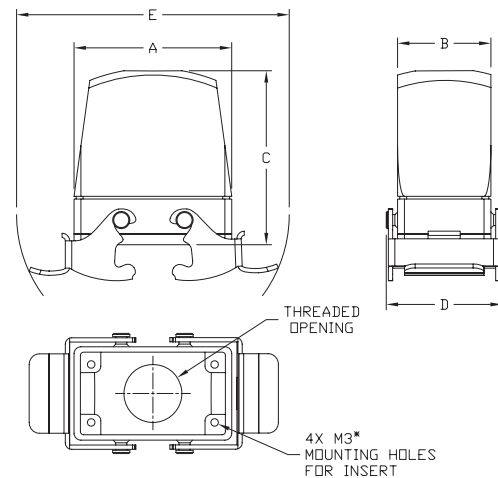
Single Lever Coupler							
Part Number	Size	Thread	A	B	C	D	E
ZP-MC06B-2-SCP16M	6B	Pg 16	60.0 [2.36]	43.5 [1.71]	59.0 [2.32]	70.5 [2.78]	73.0 [2.87]
ZP-MC10B-2-SCP16M	10B	Pg 16	73.5 [2.89]	43.5 [1.71]	64.0 [2.52]	84.0 [3.31]	73.0 [2.87]
ZP-MC16B-2-SCP21M	16B	Pg 21	94.0 [3.70]	43.5 [1.71]	64.0 [2.52]	104.0 [4.10]	73.0 [2.87]
ZP-MC24B-2-SCP24M	24B	Pg 21	120.5 [4.74]	43.5 [1.71]	74.0 [2.91]	131.0 [5.16]	73.0 [2.87]

Single Lever High Construction Coupler							
Part Number	Size	Thread	A	B	C	D	E
ZP-MC32B-2-SCP36M	32B	Pg 36	94.0 [3.70]	83.0 [3.27]	95.0 [3.74]	104.5 [4.11]	116.0 [4.57]

Double Lever Coupler



Double Lever High Construction Coupler



Double Lever Coupler							
Part Number	Size	Thread	A	B	C	D	E
ZP-MC10B-2-DCP16M	10B	Pg 16	73.5 [2.89]	43.5 [1.71]	64.0 [2.52]	54.0 [2.13]	127.0 [5.00]
ZP-MC16B-2-DCP21M	16B	Pg 21	94.0 [3.70]	43.5 [1.71]	64.0 [2.52]	54.0 [2.13]	147.0 [5.79]
ZP-MC24B-2-DCP21M	24B	Pg 21	120.5 [4.74]	43.5 [1.71]	74.0 [2.91]	54.0 [2.13]	174.0 [6.85]

Double Lever High Construction Coupler							
Part Number	Size	Thread	A	B	C	D	E
ZP-MC10B-2-DCP21ML	10B	Pg 21	73.5 [2.89]	43.5 [1.71]	81.0 [3.19]	54.0 [2.13]	127.0 [5.00]
ZP-MC16B-2-DCP21ML	16B	Pg 21	94.0 [3.70]	43.5 [1.71]	81.0 [3.19]	54.0 [2.13]	147.0 [5.79]
ZP-MC16B-2-DCP29ML		Pg 29	94.0 [3.70]	43.5 [1.71]	81.0 [3.19]	54.0 [2.13]	147.0 [5.79]
ZP-MC24B-2-DCP21ML	24B	Pg 21	120.5 [4.74]	43.5 [1.71]	81.0 [3.19]	54.0 [2.13]	174.0 [6.85]
ZP-MC24B-2-DCP29ML		Pg 29	120.5 [4.74]	43.5 [1.71]	81.0 [3.19]	54.0 [2.13]	174.0 [6.85]
ZP-MC32B-2-DCP36M	32B	Pg 36	94.0 [3.70]	83.0 [3.27]	95.0 [3.74]	93.5 [3.68]	147.0 [5.79]

* To convert to NPT thread see the adapter in the accessories section

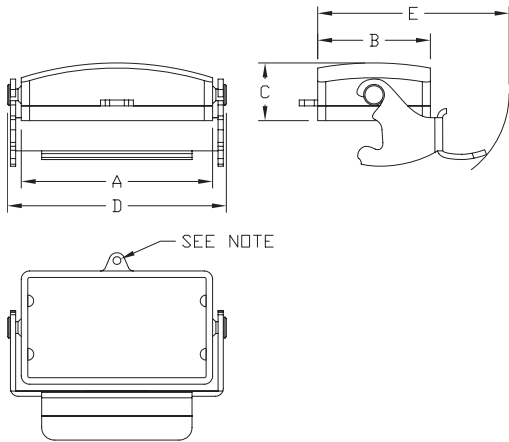


STD Series Multi-Wire Dimensions

Size 6B, 10B, 16B, 24B, 32B Covers

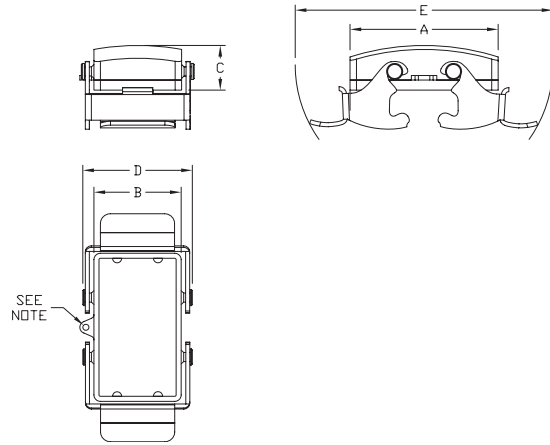
Dimensions mm [in]

Single Lever Cover



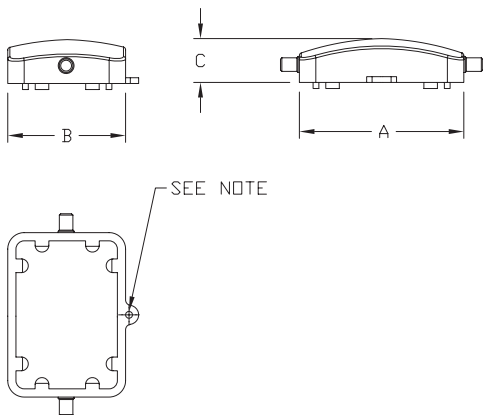
Single Lever Cover						
Part Number	Size	A	B	C	D	E
ZP-MC06B-2-SCVLM	6B	60.0 [2.36]	43.0 [1.69]	22.0 [0.87]	70.5 [2.78]	73.0 [2.87]
ZP-MC10B-2-SCVLM	10B	73.0 [2.88]	43.0 [1.69]	22.0 [0.87]	83.5 [3.29]	73.0 [2.87]
ZP-MC16B-2-SCVLM	16B	94.0 [3.70]	43.0 [1.69]	22.0 [0.87]	104.0 [4.09]	73.0 [2.87]
ZP-MC24B-2-SCVLM	24B	120.0 [4.72]	43.0 [1.69]	23.0 [0.91]	130.5 [5.14]	73.0 [2.87]
ZP-MC32B-2-SCVLM	32B	94.0 [3.70]	83.0 [3.27]	24.0 [0.94]	104.5 [4.11]	116.0 [4.57]

Double Lever Cover



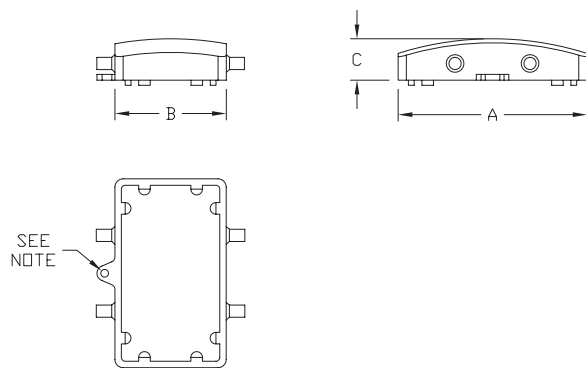
Double Lever Cover						
Part Number	Size	A	B	C	D	E
ZP-MC10B-DCVLM	10B	73.0 [2.87]	43.0 [1.69]	22.0 [0.87]	54.0 [2.13]	127.0 [5.00]
ZP-MC16B-DCVLM	16B	94.0 [3.70]	43.0 [1.69]	22.0 [0.87]	54.0 [2.13]	147.0 [5.79]
ZP-MC24B-DCVLM	24B	120.0 [4.72]	43.0 [1.69]	23.0 [0.91]	54.0 [2.13]	174.0 [6.85]
ZP-MC32B-DCVLM	32B	94.0 [3.70]	83.0 [3.27]	24.0 [0.94]	93.5 [3.68]	147.0 [5.79]

Two Peg Cover



Two Peg Cover				
Part Number	Size	A	B	C
ZP-MC06B-2-SCVPM	6B	60.0 [2.76]	43.0 [1.69]	16.0 [0.63]
ZP-MC10B-2-SCVPM	10B	73.0 [2.87]	43.0 [1.69]	16.0 [0.63]
ZP-MC16B-2-SCVPM	16B	94.0 [3.70]	43.0 [1.69]	16.0 [0.63]
ZP-MC24B-2-SCVPM	24B	120.0 [4.72]	43.0 [1.69]	17.0 [0.67]
ZP-MC32B-2-SCVPM	32B	94.0 [3.70]	83.0 [3.27]	18.0 [0.71]

Four Peg Cover



Four Peg Cover				
Part Number	Size	A	B	C
ZP-MC10B-2-DCVPM	10B	73.0 [2.87]	43.0 [1.69]	16.0 [0.63]
ZP-MC16B-2-DCVPM	16B	94.0 [3.70]	43.0 [1.69]	16.0 [0.63]
ZP-MC24B-2-DCVPM	24B	120.0 [4.72]	43.0 [1.69]	17.0 [0.67]
ZP-MC32B-2-DCVPM	32B	94.0 [3.70]	83.0 [3.27]	18.0 [0.71]

Note: Includes attached 112 mm [4.40 inch] nylon cord with ring terminal



STD Series Multi-Wire Connectors

Standards

The inserts are designed and manufactured to conform with EN 61984, (IEC 61984), VDE 0627 and UL 1977/CSA C22.2 182.3 standards. They are certified and labeled with the cULus and CE marks. The connectors are therefore in conformance with both European/International and American systems. This permits them to be used in a wider range of applications worldwide.

- EN 61984 Connectors safety requirements and tests
- VDE 0627 Connectors (DIN VDE 0627)
- EN 60664-1 Insulation coordination for equipment within low-voltage systems
- EN 175 301-801 High density rectangular connectors, round removable crimp contacts
- EN 60947-7-1 part 7-1 Low-voltage switchgear and control gear, Ancillary equipment - Terminal blocks for copper conductors
- VDE 0110 Table 4 concerning clearance and creepage distances
- EN 60512 Connectors for electronic equipment, tests and measurements
- UL 1977 Component connectors for use in data, signal, control and power applications
- CSA.C22.2 No. 182.3 Special use attachment, plugs, receptacles and connectors
- EN 60529 Degree of protection provided by enclosures (IP degree)
- EN 50262 Metric cable glands for electrical installation
- EN 60423 Conduits for electrical purposes. Outside diameters of conduits for electrical installations and thread for conduits and fittings
- ISO 23570-2 Industrial automation system and integration. Distributed installation in industrial applications. Part 2: Hybrid communication bus.
- ISO 23570-3 Industrial automation system and integration. Distributed installation in industrial applications Part 3: Power distribution bus.
- DESINA® specifications Specification to standardize electrical, hydraulic and pneumatic components and their interconnection on a common platform for CNC controlled machine tools and manufacturing lines.

(Distributed and Standardized Installation Technology), Studied by German Manufacturers of Machine Tool Association.

Directives and Declarations

NEMA-250 Declaration of Conformity

Metal and plastic enclosures for Multipole Industrial Connectors (Heavy Duty Connectors). Series STD, STD-HV, HE, HE-HV all sizes. Are designed and manufactured in conformity with NEMA 250-1991 Standard and meet the requirements of NEMA Type 4, 4x and 12.

2006/95/EC: LVD Directive

Directive 2006/95/EC of the European Parliament and of the council of 12 December 2006 on the harmonization of the laws of Members States relating to electrical equipment designed for use within certain voltage limits.

2002/95/EC: RoHS Directive

Directive 2002/95/EC of the European Parliament and of the Council of 27 January 2003 on the restriction of the use of certain hazardous substances in electrical and electronic equipment.

2008/35/EC: RoHS Directive amendment

Directive 2008/35/EC of the European Parliament and of the Council of 11 March 2008 amending Directive 2002/95/EC of the use of certain hazardous substances in electrical and electronic equipment (RoHS) as regards the implementing powers conferred on the Commission.

2004/108/EC EMC Directive

EMC, Electromagnetic Compatibility Directive.

In accordance with the European Directive that regulates the emission and the immunity of the equipment, for the products designed for EMC industrial applications.

Regulation (EC) No 1907/2006 of the European Parliament and of the Council of 18 December 2006 concerning the Registration Evaluation, Authorization and Restriction of Chemicals (REACH), establishing a European Chemicals Agency, amending Directive 1999/45/EC and repealing Council Regulation (EEC) No 793/93 and Commission Regulation (EC) No 1488/94 as well as Council Directive 76/769/EEC and Commission Directives 91/155/EEC, 93/67/EEC, 93/105/EEC and 2000/21/EC.

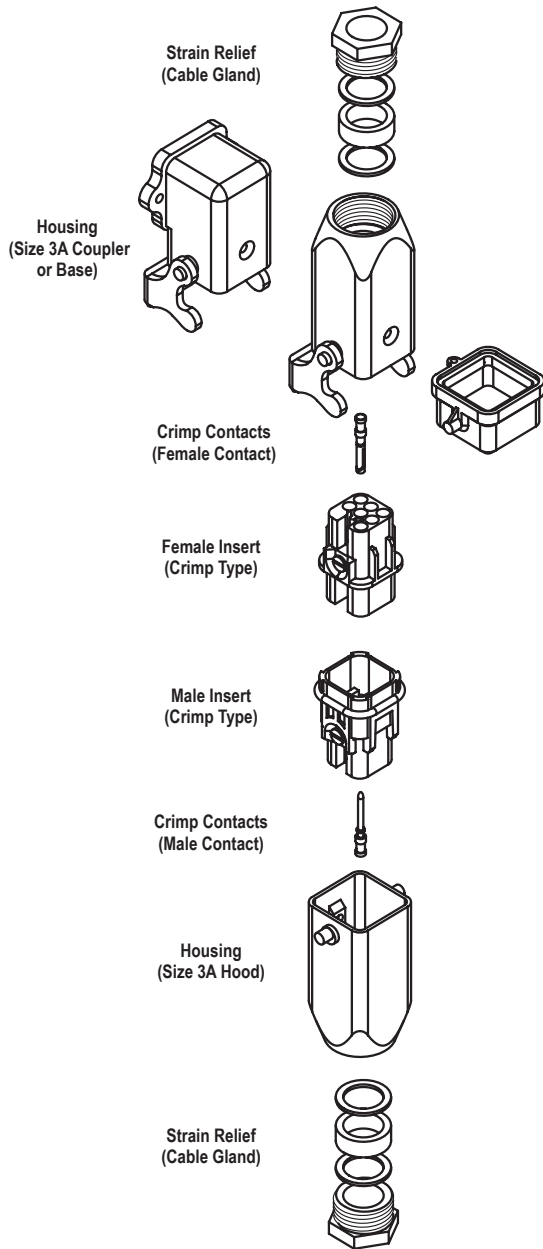


WARNING - ACCORDING TO EN 61984, CONNECTORS SHOULD NOT BE COUPLED AND DECOUPLED UNDER ELECTRICAL LOAD.

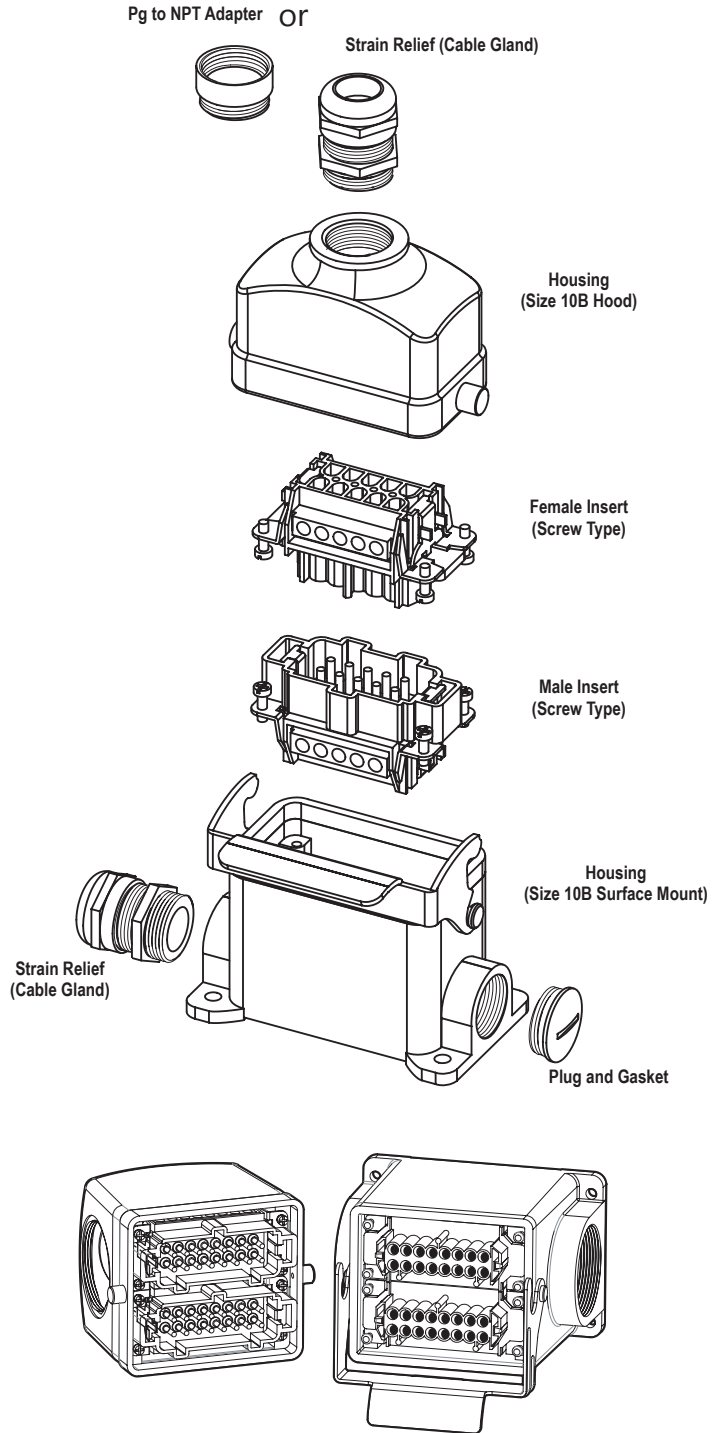


Type 1/4/4x/12

Crimp Contact Basic Assembly



Screw Terminal Basic Assembly





STD Series Multi-Wire Connectors Spare Parts and Accessories

Crimp Contacts - 10 and 16 Amp

Crimp contacts are made of hard silver-plated or gold-plated copper alloy. Wires to be connected must be carefully matched with the correct wire size of crimp contacts. Crimp contacts should be installed using a crimping tool. For applications with voltages and currents lower than 5V and 5mA gold plated contacts are recommended.

10 Amp Crimp Contacts - 100/Pack								
	Male	Price	Weight (lb.)	Female	Price	Weight (lb.)	Wire Gauge mm ² [AWG]	Stripping Length
Silver-Plated	ZP-MC-CC-M10A-22		0.150	ZP-MC-CC-F10A-22		0.150	0.14-0.37 [26-22]	8 mm [0.32 in]
	ZP-MC-CC-M10A-20		0.150	ZP-MC-CC-F10A-20		0.140	0.5 [20]	
	ZP-MC-CC-M10A-18		0.150	ZP-MC-CC-F10A-18		0.150	0.75 [18]	
	ZP-MC-CC-M10A-16		0.150	ZP-MC-CC-F10A-16		0.140	1.5 [16]	
	ZP-MC-CC-M10A-14		0.140	ZP-MC-CC-F10A-14		0.150	2.5 [14]	
Gold-Plated	ZP-MC-CC-M10A-22G		0.157	ZP-MC-CC-F10A-22G		0.159	0.14-0.37 [26-22]	
	ZP-MC-CC-M10A-20G		0.150	ZP-MC-CC-F10A-20G		0.157	0.5 [20]	
	ZP-MC-CC-M10A-18G		0.146	ZP-MC-CC-F10A-18G		0.150	0.75 [18]	
	ZP-MC-CC-M10A-16G		0.146	ZP-MC-CC-F10A-16G		0.150	1.5 [16]	
	ZP-MC-CC-M10A-14G		0.146	ZP-MC-CC-F10A-14G		0.152	2.5 [14]	



Male Crimp Contact



Female Crimp Contact



Male Crimp Contact



Female Crimp Contact

16 Amp Crimp Contacts - 100/Pack								
	Male	Price	Weight (lb.)	Female	Price	Weight (lb.)	Wire Gauge mm ² [AWG]	Stripping Length
Silver-Plated	ZP-MC-CC-M16A-22		0.280	ZP-MC-CC-F16A-22		0.280	0.14-0.37 [26-22]	7.5 mm [0.29 in]
	ZP-MC-CC-M16A-20		0.360	ZP-MC-CC-F16A-20		0.350	0.5 [20]	
	ZP-MC-CC-M16A-18		0.270	ZP-MC-CC-F16A-18		0.290	0.75 [18]	
	ZP-MC-CC-M16A-16		0.350	ZP-MC-CC-F16A-16		0.350	1.5 [16]	
	ZP-MC-CC-M16A-14		0.270	ZP-MC-CC-F16A-14		0.280	2.5 [14]	
	ZP-MC-CC-M16A-12		0.350	ZP-MC-CC-F16A-12		0.350	4.0 [12]	
Gold-Plated	ZP-MC-CC-M16A-22G		0.280	ZP-MC-CC-F16A-22G		0.322	0.14-0.37 [26-22]	
	ZP-MC-CC-M16A-20G		0.276	ZP-MC-CC-F16A-20G		0.318	0.5 [20]	
	ZP-MC-CC-M16A-18G		0.273	ZP-MC-CC-F16A-18G		0.315	0.75 [18]	
	ZP-MC-CC-M16A-16G		0.273	ZP-MC-CC-F16A-16G		0.320	1.5 [16]	
	ZP-MC-CC-M16A-14G		0.276	ZP-MC-CC-F16A-14G		0.320	2.5 [14]	
	ZP-MC-CC-M16A-12G		0.273	ZP-MC-CC-F16A-12G		0.329	4.0 [12]	

Note: The crimp contact ampacities listed above are the Maximum current ratings for the crimp contacts only. The current rating DOES NOT reflect the wire gauge current rating.

Crimp Contact Tools				
Part Number	Price	Qty.	Description	Weight (lb.)
ZP-MC-CT1		1	Crimping tool w/die set and locator	1.593
ZP-MC-CT2			Crimping tool w/die set only, no locator	0.814
ZP-MC-RT1			Removal tool for 10A contacts	0.081
ZP-MC-RT2			Removal tool for 16A contacts	0.086



ZP-MC-CT1



ZP-MC-CT2



ZP-MC-RT1



ZP-MC-RT2



STD Series Multi-Wire Connectors Spare Parts and Accessories

Cable Glands

IP66 Glands

Plastic

- Thread: 1.5 mm pitch in accordance with EN 50262, Pg in accordance with DIN 40430
- IP Protection: IP66 in accordance with EN 60529
- Working Temperature: -40°C to 125°C (-40°F to 257°F)
- Materials: Body - Glass filled polyamide UL 94 V0; Washer - zinc plated steel; Gasket - Elastomer
- Includes two washers and four gaskets to accommodate a wide range of cable diameters
- Applications: for size 3A plastic type housings

Metal

- Thread: 1.5 mm pitch in accordance with EN 50262, Pg in accordance with DIN 40430
- IP Protection: IP66 in accordance with EN 60529
- Working Temperature: -40°C to 125°C (-40°F to 257°F)
- Materials: Body - nickel-plated brass; Washer - zinc plated steel; Gasket - Elastomer
- Includes two washers and four gaskets to accommodate a wide range of cable diameters
- Applications: for all sizes metal type housings

IP68 Glands

Metal

- Thread: 1.5 mm pitch in accordance with EN 50262, Pg in accordance with DIN 40430
- IP Protection: IP68, patented design for up to 5 bars
- Working Temperature: -40°C to 125°C (-40°F to 257°F)
- Materials: Body - nickel-plated brass; Strain relief - Glass filled polyamide UL 94 V0; Gasket - Elastomer
- Applications: for industrial connector housings where higher protection and strength are required

IP66 Cable Glands						
Part Number	Price	Qty.	Type	Cable Diameter mm [in]	Thread	Weight (lb.)
ZP-MC-CG-11P5		1	Plastic	7-12 [0.275-0.472]	Pg 11	0.019
ZP-MC-CG-11M5				7-12 [0.275-0.472]	Pg 11	0.030
ZP-MC-CG-13M5			Metal	7-12 [0.275-0.472]	Pg 13.5	0.031
ZP-MC-CG-16M5				7-14.5 [0.275-0.570]	Pg 16	0.041
ZP-MC-CG-21M5				9.5-18.5 [0.374-0.728]	Pg 21	0.070
ZP-MC-CG-29M5				17.5-26.5 [0.688-1.043]	Pg 29	0.125
ZP-MC-CG-36M5				23.5-32.5 [0.925-1.279]	Pg 36	0.249

Note: IP66 cable glands with washers CANNOT be used with HC (High Construction) top or side entry housings.
You must use the IP68 cable glands. IP66 glands can be used with surface mount HC (High Construction) housings



IP66 Cable Glands - Plastic



IP66 Cable Glands - Metal



IP68 Cable Glands

IP68 Cable Glands						
Part Number	Price	Qty.	Type	Thread	Diameter mm [in]	Weight (lb.)
ZP-MC-CG-11M8		10 per pack	Metal	Pg 11	4-10 [0.157-0.393]	0.451
ZP-MC-CG-13M8				Pg 13.5	5-12 [0.197-0.472]	0.780
ZP-MC-CG-16M8				Pg 16	8-14 [0.314-0.551]	0.881
ZP-MC-CG-21M8		5 per pack		Pg 21	11-18 [0.433-0.708]	0.727
ZP-MC-CG-29M8				Pg 29	16-25 [0.629-0.984]	1.466
ZP-MC-CG-36M8				Pg 36	19-36 [0.748-1.417]	2.205



STD Series Multi-Wire Connectors Spare Parts and Accessories

Blanking Plugs with Gasket

- Thread: 1.5 mm pitch in accordance with EN 50262, Pg in accordance with DIN 40430
- IP Protection: IP68 in accordance with EN 60529
- Working Temperature: -40°C to 125°C (-40°F to 257°F)
- Materials: Body - nickel-plated brass; Gasket - Elastomer
- Applications: for blanking threaded holes on housings or other enclosures

Blanking Plugs With Gasket					
Part Number	Price	Qty.	Type	Thread	Weight (lb.)
ZP-MC-PLG-11M8		10 per pack	Metal	Pg 11	0.169
ZP-MC-PLG-13M8				Pg 13.5	0.192
ZP-MC-PLG-16M8				Pg 16	0.253
ZP-MC-PLG-21M8				Pg 21	0.478
ZP-MC-PLG-29M8		5 per pack		Pg 29	0.218
ZP-MC-PLG-36M8				Pg 36	0.706



Blanking Plugs With Gasket

Pg to NPT Adapters

Thread: Metric 1.5 mm pitch Pg in accordance with DIN 40430, NPT in accordance with USAS B2-1

- IP Protection: dependant on coupling and other components
- Working Temperature: -60°C to 200°C (-76°F to 392°F)
- Materials: nickel-plated brass
- Applications: for converting a Pg thread to an NPT thread

Pg to NPT Adapters						
Part Number	Price	Qty.	Type	Pg Thread	NPT Thread	Weight (lb.)
ZP-MC-A-11038		1	Metal	Pg 11	3/8"	0.044
ZP-MC-A-11012				Pg 11	1/2"	0.072
ZP-MC-A-13012				Pg 13.5	1/2"	0.106
ZP-MC-A-16012				Pg 16	1/2"	0.070
ZP-MC-A-21034				Pg 21	3/4"	0.101
ZP-MC-A-29100				Pg 29	1"	0.194
ZP-MC-A-29114				Pg 29	1 1/4"	0.238
ZP-MC-A-36114				Pg 36	1 1/4"	0.201



Pg to NPT Adapters

Replacement Gaskets

Replacement Gaskets						
Part Number	Price	Qty.	Size	Type	Material	Weight (lb.)
ZP-MC03A-GSK		10 per pack	3A	For bulkhead housings	Nitrile Butadiene Rubber (NBR)	0.085
ZP-MC10A-GSK			10A			0.082
ZP-MC16A-GSK			16A			0.079
ZP-MC06B-GSK			6B			0.097
ZP-MC10B-GSK			10B			0.105
ZP-MC16B-GSK			16B			0.127
ZP-MC24B-GSK			24B			0.141
ZP-MC32B-GSK			32B			0.229



Replacement Gaskets



STD Series Multi-Wire Connectors Spare Parts and Accessories

Insert Plates with Cutouts

Insert Plates with Cutouts				
Part Number	Price	Qty.	Description	Weight (lb.)
ZP-MC6B-2-1XDB9		1	ZIPport insert plate, (1) 9-pin D-sub connector cutout(s), thermoplastic, RAL 7044 gray. For use with ZIPport size 6B connector housing.	0.0176
ZP-MC6B-2-2XDB9			ZIPport insert plate, (2) 9-pin D-sub connector cutout(s), thermoplastic, RAL 7044 gray. For use with ZIPport size 6B connector housing.	0.0154
ZP-MC6B-2-1XDB15			ZIPport insert plate, (1) 15-pin D-sub connector cutout(s), thermoplastic, RAL 7044 gray. For use with ZIPport size 6B connector housing.	0.0176
ZP-MC6B-2-2XDB15			ZIPport insert plate, (2) 15-pin D-sub connector cutout(s), thermoplastic, RAL 7044 gray. For use with ZIPport size 6B connector housing.	0.0154

Note: machine screw M3-0.5x16 hardware not included



Insert Plates with Cutouts

Bulkhead Cutout Reducing Plates

Bulkhead Cutout Reducing Plates				
Part Number	Price	Qty.	Description	Weight (lb.)
ZP-MC24B-2-RD6B		1	ZIPport bulkhead cutout reducing plate, thermoplastic, RAL 7044 gray. For use with ZIPport size 24B bulkhead cutouts. Gasket included. Reduces cutout to ZIPport size 6B.	0.0838
ZP-MC24B-2-RD10B			ZIPport bulkhead cutout reducing plate, thermoplastic, RAL 7044 gray. For use with ZIPport size 24B bulkhead cutouts. Gasket included. Reduces cutout to ZIPport size 10B.	0.0816
ZP-MC24B-2-RD16B			ZIPport bulkhead cutout reducing plate, thermoplastic, RAL 7044 gray. For use with ZIPport size 24B bulkhead cutouts. Gasket included. Reduces cutout to ZIPport size 16B.	0.0772



Bulkhead Cutout Reducing Plates

Bulkhead Cutout Blank Covers

Bulkhead Cutout Blank Covers				
Part Number	Price	Qty.	Description	Weight (lb.)
ZP-MC6B-2-BLANK		1	ZIPport bulkhead cutout blank cover plate, thermoplastic, RAL 7044 gray. For use with ZIPport size 6B bulkhead cutouts. Gasket included.	0.4343
ZP-MC10B-2-BLANK			ZIPport bulkhead cutout blank cover plate, thermoplastic, RAL 7044 gray. For use with ZIPport size 10B bulkhead cutouts. Gasket included.	0.0463
ZP-MC16B-2-BLANK			ZIPport bulkhead cutout blank cover plate, thermoplastic, RAL 7044 gray. For use with ZIPport size 16B bulkhead cutouts. Gasket included.	0.0529
ZP-MC24B-2-BLANK			ZIPport bulkhead cutout blank cover plate, thermoplastic, RAL 7044 gray. For use with ZIPport size 24B bulkhead cutouts. Gasket included.	0.0573



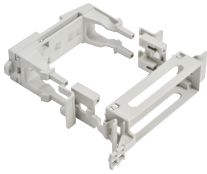
Bulkhead Cutout Blank Covers



STD Series Multi-Wire Connectors Spare Parts and Accessories

DIN Rail Mounting Kits

- For mounting inserts inside an enclosure
- Fits 35 mm DIN rail



DIN Rail
Mounting Kits



ZP-MC-RT3

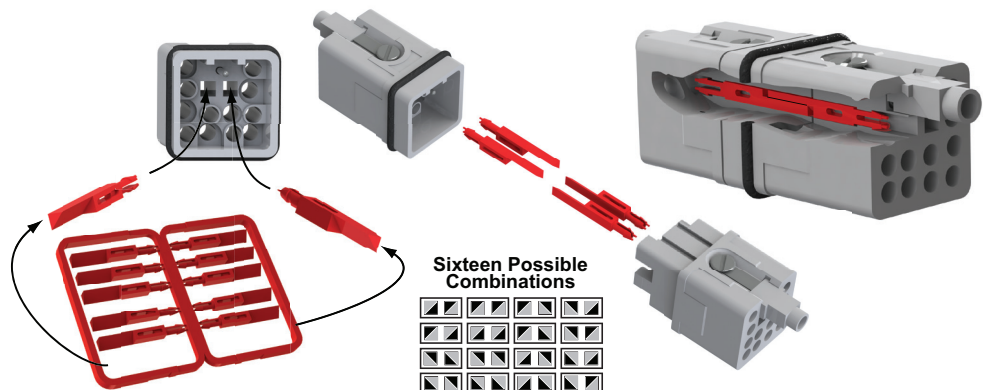
DIN Rail Mounting Kits				
Part Number	Price	Qty.	Description	Weight (lb.)
<u>ZP-MC06B-DKIT</u>		1	For size 6B inserts	0.374
<u>ZP-MC10B-DKIT</u>			For size 10B inserts	0.377
<u>ZP-MC16B-DKIT</u>			For size 16B inserts	0.385
<u>ZP-MC24B-DKIT</u>			For size 24B inserts	0.392
<u>ZP-MC-RT3</u>			Insert removal tool	0.052

Replacement Screws/Polarization Key

Replacement Screws / Polarization Key				
Part Number	Price	Qty.	Description	Weight (lb.)
<u>ZP-MC-SCRWKIT</u>		2 pieces of each part	M3.5 - PE screw for size 3A inserts	0.048
			M4 - PE screw for size 6B insert, size 10B insert, size 16B insert (16+PE) and size 24B insert (24+PE)	
			M4 - PE screw for size 16B insert (6+PE) and size 24B insert (8+4+PE)	
			M3 - Installation screw for 3A inserts only	
			M3 - Installation screw for all inserts except 3A	
<u>ZP-MC-POLKEY-1</u>		12	Polarization key for size 3A 12-pin inserts. Two keys are required per coupled connection.	0.011



Polarization
Key



Using the Polarization Key



STD Series Multi-Wire Connectors Spare Parts and Accessories

Code Pins					
Part Number	Price	Qty.	Description	Figure	Weight (lb.)
<u>ZP-MC-CODEPIN-2</u>		16 per pack	Single code pin	1	0.009
<u>ZP-MC-CODEPIN-3</u>		16 per pack	Male code pin (use w/ZP-MC-CODEPIN-4)	2	0.064
<u>ZP-MC-CODEPIN-4</u>		16 per pack	Female code pin (use w/ZP-MC-CODEPIN-3)	3	0.101

* Code pins are used in applications where there are identical connectors that could be coupled with the incorrect mate, potentially causing equipment damage or breakdown. Code pins replace the installation screws on the inserts. Code pins do NOT work with 3A inserts or 32x13 inserts. The following combinations of code pins allow for a selective number of couples. Material is zinc-plated steel.

Coding Pin Configurations

Single Code Pin

The ZP-MC-CODEPIN-2 is designed to be used as a single stand-alone code pin using the following configurations.



Figure 1

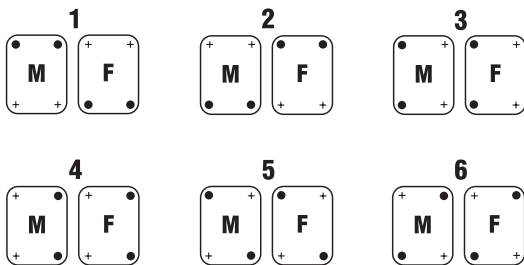


Figure 2



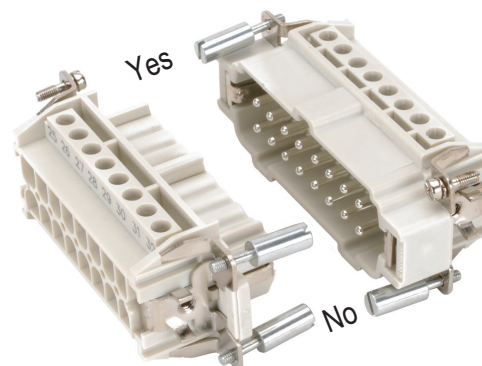
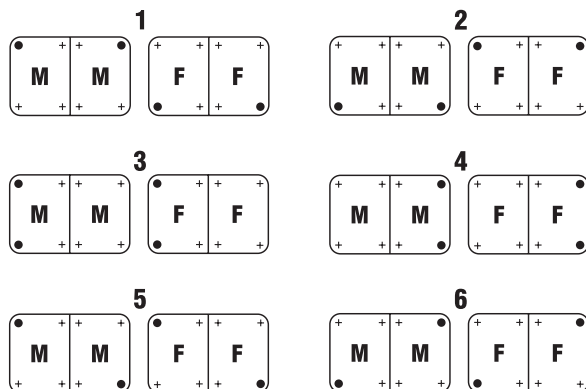
Figure 3

Application with single insert



- Code pin ZP-MC-CODEPIN-2
- + Normal fixing screw
- M** Male insert
- F** Female insert

Application with double insert



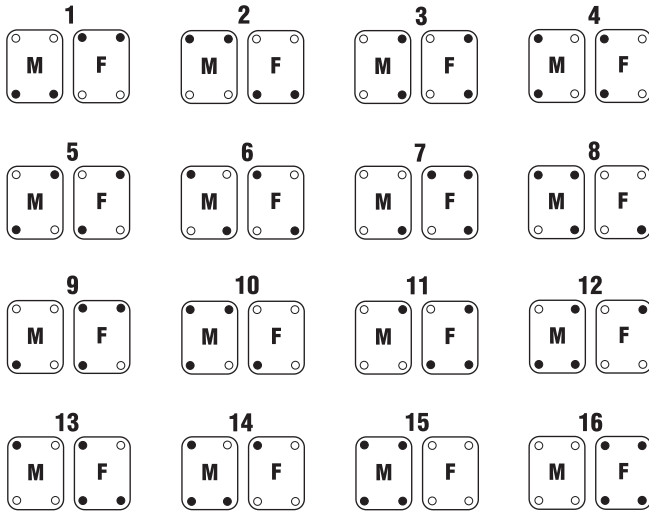
STD Series Multi-Wire Connectors Spare Parts and Accessories

Coding Pin Configurations

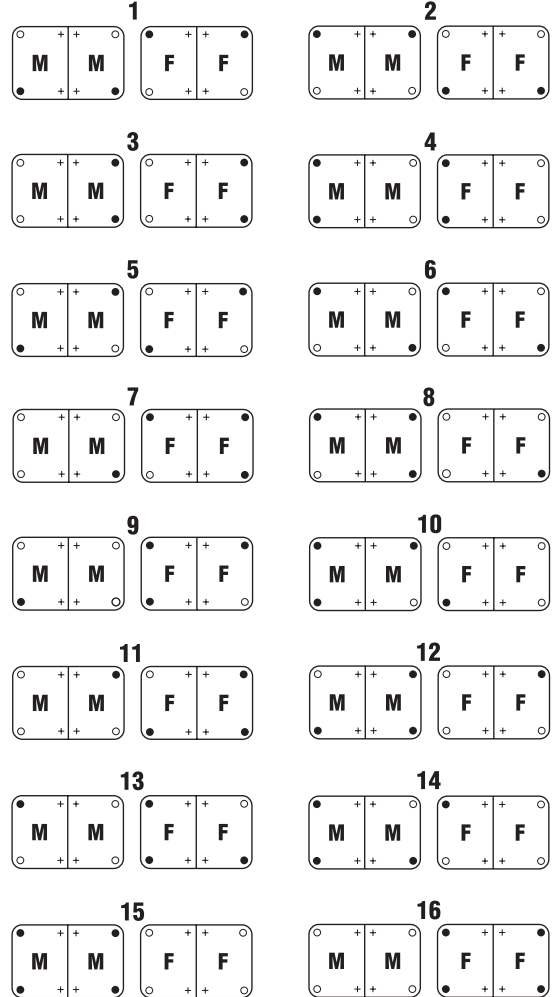
Male / Female Code Pins

The ZP-MC-CODEPIN-3 and the ZP-MC-CODEPIN-4 are designed to be used together using the following configurations.

Application with single insert



Application with double insert



- Male code pin ZP-MC-CODEPIN-3
- Female code pin ZP-MC-CODEPIN-4
- ⊕ Normal fixing screw
- M** Male insert
- F** Female insert

