



# STD Series Multi-Wire Connectors Specifications

| Technical Characteristics                    |   |   |                                   |          |          |          |          |  |
|--|---|---|-----------------------------------|----------|----------|----------|----------|--|
| Connector Size                               |   | 24B   |                                   |          |          | 32B      |          |  |
| Inserts                                      | Number of Poles   | 4+8+PE  | 24+PE                             | 64+PE    | 108+PE   | 32+PE    | 144+PE   |  |
|  | UL/CSA Rated Voltage*   | 600V  |                                   |          |          |          |          |  |
|  | Maximum Rated Current   | Power: 80A / Signal: 16A                                | 16A                               | 10A      | 16A      | 10A      |          |  |
|  | EN 61984 (2001-11) Pollution Degree 3                               | Rated Voltage AC/DC                                     | 830V / 400V                       | 500V     | 250V     | 500V     | 250V     |  |
|  |   | Impulse Withstand Voltage                               | 8kV / 6kV                         | 6kV      | 4kV      | 6kV      | 4kV      |  |
|  | EN 61984 (2001-11) Pollution Degree 2                               | Rated Voltage   | 1000V/400/690V                    | 400/690V | 230/400V | 400/690V | 230/400V |  |
|  |   | Impulse Withstand Voltage                               | 8kV                               | 6kV      | 4kV      | 6kV      | 4kV      |  |
|  | Continuous Current Carrying Capacity                                | Refer to Electrical Engineering section charts          |                                   |          |          |          |          |  |
|  | Insulation Resistance   | 10 <sup>10</sup> Ω                                      |                                   |          |          |          |          |  |
|  | Material  | Polycarbonate   |                                   |          |          |          |          |  |
|  | Temperature Range   | -40°C to 125°C (-40°F to 257°F)                         |                                   |          |          |          |          |  |
|  | Flammability  | UL 94 V-0 GWT 960°                                      |                                   |          |          |          |          |  |
|  | Degree Protection   | With Housing  | IP66, NEMA/UL (Type 1, 4, 4X, 12) |          |          |          |          |  |
|  |   | Without Housing   | IP20                              |          |          |          |          |  |
| Mechanical Working Life                      | 500 Cycles  |   |                                   |          |          |          |          |  |
| Conductor Termination                        | Screw Terminals   | √   | √                                 | N/A      | N/A      | √        | N/A      |  |
|  | Crimp Contacts  | N/A   | √                                 | √        | √        | √        | √        |  |
| Contacts                                     | Material  | Hard-silver plated (2µm Au) or gold plated copper alloy |                                   |          |          |          |          |  |
|  | Minimum Recommended Load (voltage & current)                        | 5V/5mA AC/DC (silver plated)                            |                                   |          |          |          |          |  |
|  | Contact Resistance  | ≤ 0.3 mΩ / 1mΩ  | ≤ 1 mΩ                            | ≤ 3 mΩ   | ≤ 1 mΩ   | ≤ 3 mΩ   |          |  |
|  | Screw Terminal Wire Size  | mm <sup>2</sup>   | 1.5-16 / 0.5-2.5                  | 0.5-2.5  | N/A      | 0.5-4.0  | N/A      |  |
|  |   | AWG   | 16-6 AWG / 20-14                  | 20-14    | N/A      | 20-12    | N/A      |  |
|  | Screw Terminal Tightening Test Torque                               | 1.2 Nm / 0.5 Nm   | 0.5 Nm                            | N/A      | 0.5 Nm   | N/A      |          |  |
|  | Screw Terminal Stripping Length                                     | 14mm / 7.0 mm   | 7.0 mm                            | N/A      | 7.0 mm   | N/A      |          |  |
|  | Crimp Terminal Wire Size  | mm <sup>2</sup>   | N/A                               | 0.14-4   | 0.14-2.5 | 0.14-4   | 0.14-2.5 |  |
|  |   | AWG   | N/A                               | 26-12    | 26-14    | 26-12    | 26-14    |  |
| Crimp Terminal Stripping Length              | N/A   | 7.5 mm  | 8mm                               | 7.5 mm   | N/A      |          |          |  |
| Aluminum Hoods/<br>Bases/Couplers/<br>Covers | Material  | Die cast aluminum alloy, Polyester powder coated        |                                   |          |          |          |          |  |
|  | Locking Element   | Stainless steel lever and peg                           |                                   |          |          |          |          |  |
|  | Housings Seal   | NBR (Nitrile)   |                                   |          |          |          |          |  |
|  | Degree of Protection Acc. to EN 60529 (coupled) NEMA 250, UL50, 50E | IP66, NEMA/UL (Type 1, 4, 4X, 12)                       |                                   |          |          |          |          |  |
|  | Temperature Range   | -40°C to 125°C (-40°F to 257°F)                         |                                   |          |          |          |          |  |
|  | Thread  | Metric EN50262 Pg DIN 40430                             |                                   |          |          |          |          |  |

\* Connectors should not be coupled and decoupled under electrical load.

## Conductor Termination

### Overview

Two types of conductor termination are available for ZIPport inserts:

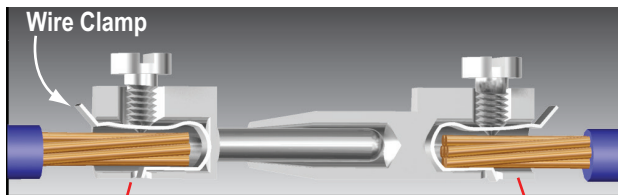
- Screw terminations
- Crimp terminations

### Screw Terminations

Screw terminations consist of contacts made of silver-plated copper alloy and are incorporated with a wire clamp (with the exception of the size 3A inserts and size 24B with 80A contacts) for firmly securing the conductors. The screw terminals use stainless steel captive screws and meet VDE 0609 / EN 60999 standards.

Proper conductor installation requires no special preparation when using inserts with the wire clamp terminals (no wire ferrules). The table below lists the current rating, maximum wire gauge and stripping lengths.

| Current Rating | Max Wire Gauge  |      | Stripping Length<br>mm (in) |
|----------------|-----------------|------|-----------------------------|
|                | mm <sup>2</sup> | AWG  |                             |
| 10A            | 2.5             | 14   | 4.5 (0.18)                  |
| 16A            | 2.5             | 14   | 7 (0.28)                    |
| 35A            | 6.0             | 10   | 11.5 (0.45)                 |
| 16/80A         | 25/16           | 14/5 | 7 (0.28)/14 (0.55)          |



### Screw Terminals with Clamps

The value of tensile strength of conductors in accordance with the dimensions of the screws and the wires are shown in the following table:

| Wire Gauge<br>mm <sup>2</sup> (AWG)      | 1.5<br>(16) | 2.5<br>(14) | 4<br>(12) | 6<br>(10) | 10<br>(8) | 16<br>(6) |
|--|-------------|-------------|-----------|-----------|-----------|-----------|
| Size of Screw                            | M3          | M3          | M3.5      | M4        | M4        | M6        |
| Tensile Strength of<br>Stranded Wire (N) | 40          | 50          | 60        | 80        | 90        | 100       |

Increasing the tightening torque does not necessarily improve the contact resistance. The screw torques are selected according to standard EN 60999-1, to provide excellent mechanical, thermal and electrical behavior. The conductor or terminal may be damaged if the recommended values are significantly exceeded.

| Insert Screw Specifications |                 |            |                           |                               |                                 |                                 |
|-----------------------------|-----------------|------------|---------------------------|-------------------------------|---------------------------------|---------------------------------|
| Insert Size                 | Screw Type      | Screw Size | Tightening Torque<br>(Nm) | Tightening Torque<br>(in-lbs) | Recommended<br>Screwdriver Size | Recommended<br>Screwdriver Part |
| 3A                          | 10 Amp Terminal | M3         | 0.25                      | 2.2                           | 0.4 x 2.5                       | TW-SD-VSL-2                     |
|                             | Installation    | M3.5       |                           |                               |                                 |                                 |
|                             | Ground          | M3.5       |                           |                               |                                 |                                 |
| 10A,<br>16A                 | 16 Amp Terminal | M3         | 0.50                      | 4.4                           | 0.5 x 3.0                       | TW-SD-SL-1                      |
|                             | Installation    | M4         |                           |                               |                                 |                                 |
|                             | Ground          | M4         |                           |                               |                                 |                                 |
| 6B,<br>10B                  | 16 Amp Terminal | M3         | 0.50                      | 4.4                           | Ph 0-0.8 x 4                    | TW-SD-VSL-3                     |
|                             | Installation    | M4         |                           |                               | Ph 2 1.0 x 5.5                  |                                 |
|                             | Ground          | M4         |                           |                               | Ph 2 1.0 x 5.5                  |                                 |
| 16B                         | 35 Amp Terminal | M4         | 1.2                       | 10.6                          | Ph 1 - 0.8 x 4                  | TW-SD-VSL-3                     |
|                             | 16 Amp Terminal | M3         |                           |                               | Ph 0-0.8 x 4                    |                                 |
|                             | Installation    | M4         |                           |                               | Ph 2 1.0 x 5.5                  |                                 |
|                             | Ground          | M4         |                           |                               | Ph 2 1.0 x 5.5                  |                                 |
| 24B                         | 80 Amp Terminal | M6         | 2.5                       | 22.1                          | 1.0 x 5.5                       | TW-SD-VSL-4                     |
|                             | 16 Amp Terminal | M3         |                           |                               | Ph 0-0.8 x 4                    |                                 |
|                             | Installation    | M4         |                           |                               | Ph 2 1.0 x 5.5                  |                                 |
|                             | Ground          | M4         |                           |                               | Ph 2 1.0 x 5.5                  |                                 |
| 32B*                        | 16 Amp Terminal | M3         | 0.50                      | 4.4                           | Ph 0-0.8 x 4                    | TW-SD-VSL-3                     |
|                             | Installation    | M4         |                           |                               |                                 |                                 |
|                             | Ground          | M4         |                           |                               |                                 |                                 |

Note: Size 32B requires 2 size 16B insert

### Crimp Terminations

Crimp terminations consist of contacts made of silver or gold-plated copper alloy. Crimp terminations are accomplished by applying a crimp contact to the conductor by means of a crimping tool. Crimp contacts are available in several sizes:

10 amp, 26-14 AWG ; 16 amp, 26-12 AWG

A perfect crimp connection is gas-tight, corrosion free and is equal to a cold weld of the parts being connected. Wires to be connected must be carefully matched with the correct wire size of crimp contacts.

The requirements for crimp connectors are depicted in IEC 60352, part 2.

Note: Low currents and voltages:

ZIPport standard contacts (screw and crimp) have a silver plated surface. This metal has excellent conductive properties. During the contacts's lifetime, the silver surface generates a black oxide layer due to its affinity to sulphur (always present in the atmosphere). This layer is conductive smooth and very thin and is partly interrupted when the contacts are mated and non mated, thus guaranteeing very low contact resistances. In the case of very low current or voltage, small changes to the transmitted signal may be encountered.

In applications where voltage and current are lower than 5V and 5mA, and in extremely aggressive environments, ZIPport gold plated contacts are recommended. See ZIPport spare parts and accessories pages.

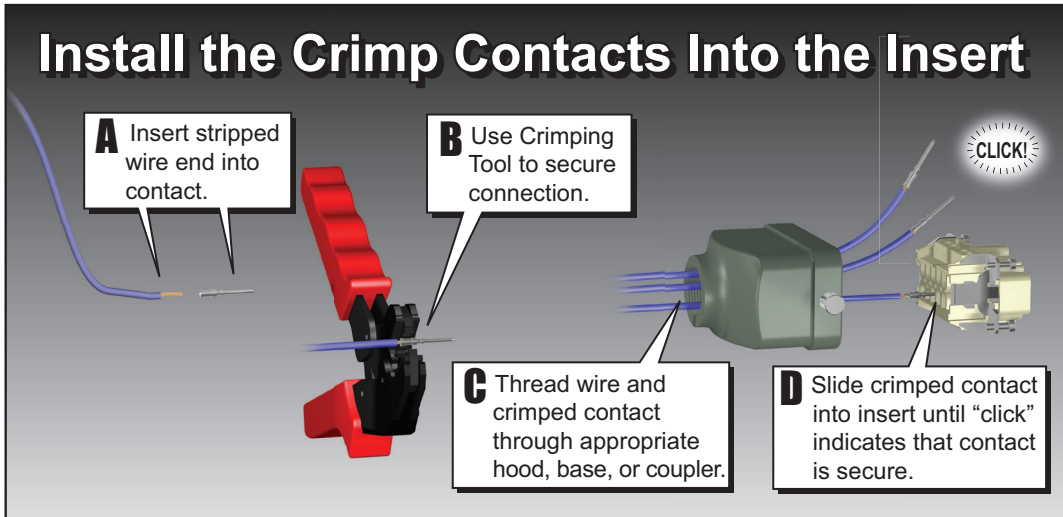
## Crimp Contact to Insert Installation

Proper installation of the crimp contacts is important for a good electrical and mechanical connection. The following steps will ensure correct installation.

### Step 1: Select the Crimp Contacts

Select a crimp contact based on the rating of the Insert you are using - 10 or 16 amps; the gender - male or female; and gauge of wire being used.

### Step 2:

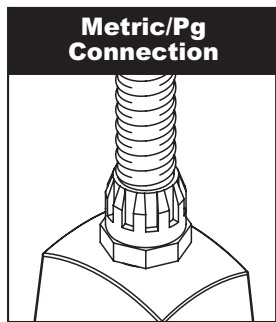


### Step 3: Install the Insert into the Housing

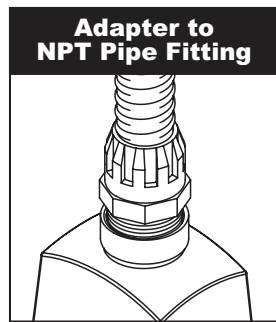
Now that the crimp contacts are installed, the insert can be placed into the housing by aligning the corner installation screws of the insert with the screw holes located in the corners of the housing. Tighten the screws according to the tightening torques listed in the Insert Screw Specifications table in this document.

### Wire Entry Connection

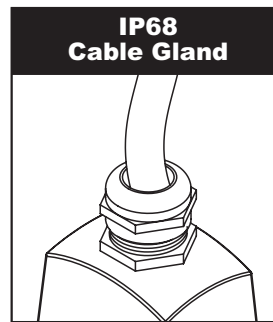
ZIPports offer four types of connection for wire entry into the housings. Two entries accommodate flex conduit and two accept cable.



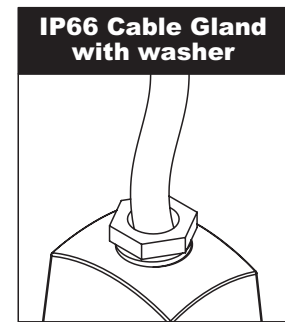
This is standard on all housings that offer a threaded wire entry. Sizes range from Pg 11 to Pg 36. This is for using fittings with a male Pg thread connection.



This adapter converts the Pg thread to an NPT thread. Sizes range from 3/8" to 1-1/4" in relation to the Pg threaded opening in the housing.



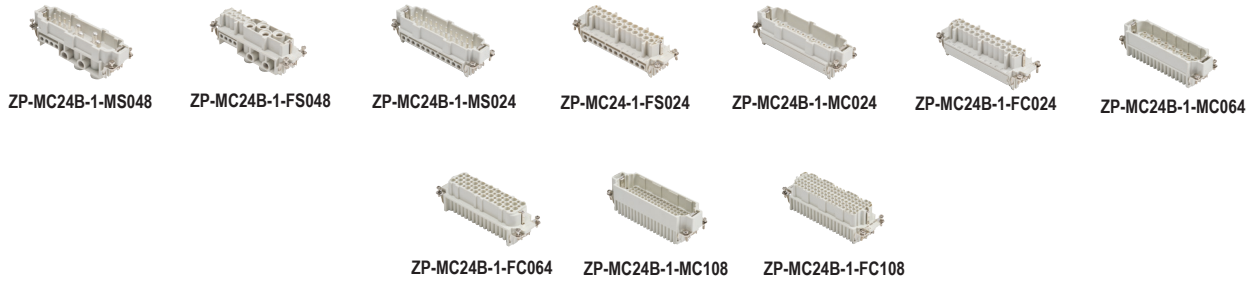
For securing a cable to the housing. This is an all inclusive fitting that can be tightened without using separate washers.



For securing a cable to the housing. This gland is available in plastic or metal in relation to housing material. Includes two washers and four gaskets to accommodate a wide range of cable diameters.



# STD Series Multi-Wire Connectors Size 24B



| Inserts            |                            |   |   |  |  |  |
|--------------------|----------------------------|---|---|--|--|--|
| <b>Insert Type</b> | <b>No. of Poles</b>        | 8+4+PE                                  | 24+PE                                   |  | 64+PE                                    | 108+PE                                   |
|                    | <b>Rated Voltage AC/DC</b> | 600 Volts                               | 600 Volts                               |  | 600 Volts                                | 600 Volts                                |
|                    | <b>Max. Rated Current</b>  | 4 x 80 Amps / 8 x 16 Amps               | 16 Amps                                 |  | 10 Amps                                  | 10 Amps                                  |
|                    | <b>Termination Type</b>    | Screw Terminals                         | Screw Terminals                         | Crimp Contacts*                          | Crimp Contacts*                          | Crimp Contacts*                          |
| <b>Male</b>        | <b>Part No.</b>            | <a href="#"><u>ZP-MC24B-1-MS048</u></a> | <a href="#"><u>ZP-MC24B-1-MS024</u></a> | <a href="#"><u>ZP-MC24B-1-MC024</u></a>  | <a href="#"><u>ZP-MC24B-1-MC064</u></a>  | <a href="#"><u>ZP-MC24B-1-MC108</u></a>  |
|                    | <b>Price</b>               |   |   |  |  |  |
|                    | <b>Contact Size</b>        | N/A                                     | N/A                                     | <a href="#"><u>ZP-MC-CC-M16A-XX*</u></a> | <a href="#"><u>ZP-MC-CC-M10A-XX*</u></a> | <a href="#"><u>ZP-MC-CC-M10A-XX*</u></a> |
|                    | <b>Weight (lb.)</b>        | 0.321                                   | 0.240                                   | 0.152                                    | 0.163                                    | 0.158                                    |
| <b>Female</b>      | <b>Part No.</b>            | <a href="#"><u>ZP-MC24B-1-FS048</u></a> | <a href="#"><u>ZP-MC24B-1-FS024</u></a> | <a href="#"><u>ZP-MC24B-1-FC024</u></a>  | <a href="#"><u>ZP-MC24B-1-FC064</u></a>  | <a href="#"><u>ZP-MC24B-1-FC108</u></a>  |
|                    | <b>Price</b>               |   |   |  |  |  |
|                    | <b>Contact Size</b>        | N/A                                     | N/A                                     | <a href="#"><u>ZP-MC-CC-F16A-XX*</u></a> | <a href="#"><u>ZP-MC-CC-F10A-XX*</u></a> | <a href="#"><u>ZP-MC-CC-F10A-XX*</u></a> |
|                    | <b>Weight (lb.)</b>        | 0.315                                   | 0.253                                   | 0.163                                    | 0.180                                    | 0.174                                    |

\* Crimp contacts must be purchased separately. The XX represents wire AWG. See Accessories section for complete part numbers.



# STD Series Multi-Wire Connectors Size 24B



Single Lever Top Entry Hood    Single Lever Top Entry Hood High Capacity    Single Lever Side Entry Hood    Single Lever Side Entry Hood High Capacity    Single Lever Surface Mount Base

| Hoods, Bases, Couplers and Covers |                                      |                                   |                                    |        | Accessories***                 |                                |
|-----------------------------------|--------------------------------------|-----------------------------------|------------------------------------|--------|--------------------------------|--------------------------------|
| Housing Component                 | Threading Opening**                  | Part No.                          | Price                              | Weight | Plugs with Gasket              |                                |
| Single Lever / 2 Pegs             | Top Entry Hood (Single Lever)        | Pg 21                             | <a href="#">ZP-MC24B-2-STE21M</a>  |        | 0.432                          | <a href="#">ZP-MC-PLG-21M8</a> |
|                                   |                                      | Pg 21 HC                          | <a href="#">ZP-MC24B-2-STE21ML</a> |        | 0.599                          | <a href="#">ZP-MC-PLG-21M8</a> |
|                                   |                                      | Pg 29 HC                          | <a href="#">ZP-MC24B-2-STE29ML</a> |        | 0.601                          | <a href="#">ZP-MC-PLG-29M8</a> |
|                                   | Side Entry Hood (Single Lever)       | Pg 21                             | <a href="#">ZP-MC24B-2-SSE21M</a>  |        | 0.434                          | <a href="#">ZP-MC-PLG-21M8</a> |
|                                   |                                      | Pg 21 HC                          | <a href="#">ZP-MC24B-2-SSE21ML</a> |        | 0.599                          | <a href="#">ZP-MC-PLG-21M8</a> |
|                                   |                                      | Pg 29 HC                          | <a href="#">ZP-MC24B-2-SSE29ML</a> |        | 0.573                          | <a href="#">ZP-MC-PLG-29M8</a> |
|                                   | Surface Mount Base (2 Peg)           | Pg 21x2                           | <a href="#">ZP-MC24B-2-SSM21M</a>  |        | 0.709                          | <a href="#">ZP-MC-PLG-21M8</a> |
|                                   |                                      | Pg 21x2 HC                        | <a href="#">ZP-MC24B-2-SSM21ML</a> |        | 0.919                          | <a href="#">ZP-MC-PLG-21M8</a> |
|                                   |                                      | Pg 29x2 HC                        | <a href="#">ZP-MC24B-2-SSM29ML</a> |        | 0.901                          | <a href="#">ZP-MC-PLG-29M8</a> |
|                                   | Surface Mount (Single Lever w/Cover) | Pg 21x2                           | <a href="#">ZP-MC24B-2-SSM21C</a>  |        | 0.924                          | <a href="#">ZP-MC-PLG-21M8</a> |
|                                   |                                      | Pg 21x2 HC                        | <a href="#">ZP-MC24B-2-SSM21CL</a> |        | 1.204                          | <a href="#">ZP-MC-PLG-21M8</a> |
|                                   |                                      | Pg 29x2 HC                        | <a href="#">ZP-MC24B-2-SSM29CL</a> |        | 1.118                          | <a href="#">ZP-MC-PLG-29M8</a> |
|                                   | Surface Mount w/Automatic Cover      | Pg 21x2                           | <a href="#">ZP-MC24B-2-SSM21CA</a> |        | 0.972                          | <a href="#">ZP-MC-PLG-21M8</a> |
|                                   |                                      | Pg 21x2 HC                        | <a href="#">ZP-MC24B-2-SM21CAL</a> |        | 1.358                          | <a href="#">ZP-MC-PLG-21M8</a> |
|                                   |                                      | Pg 29x2 HC                        | <a href="#">ZP-MC24B-2-SM29CAL</a> |        | 1.354                          | <a href="#">ZP-MC-PLG-29M8</a> |
|                                   | Bulkhead Base (Single Lever)         | N/A                               | <a href="#">ZP-MC24B-2-SBHM</a>    |        | 0.310                          | N/A                            |
|                                   | Bulkhead w/Cover                     | N/A                               | <a href="#">ZP-MC24B-2-SBHC</a>    |        | 0.525                          | N/A                            |
|                                   | Bulkhead w/Automatic Cover           | N/A                               | <a href="#">ZP-MC24B-2-SBHCA</a>   |        | 0.697                          | N/A                            |
| Coupler (2 Peg)                   | Pg 21                                | <a href="#">ZP-MC24B-2-SCP21M</a> |                                    | 0.566  | <a href="#">ZP-MC-PLG-21M8</a> |                                |
| Cover (Single Lever)              | N/A                                  | <a href="#">ZP-MC24B-2-SCVLM</a>  |                                    | 0.255  | N/A                            |                                |
| Cover (2 Peg)                     | N/A                                  | <a href="#">ZP-MC24B-2-SCVPM</a>  |                                    | 0.157  | N/A                            |                                |
| Double Lever / 4 Peg              | Top Entry Hood (Double Lever)        | Pg 21                             | <a href="#">ZP-MC24B-2-DTE21M</a>  |        | 0.447                          | <a href="#">ZP-MC-PLG-21M8</a> |
|                                   |                                      | Pg 29                             | <a href="#">ZP-MC24B-2-DTE29M</a>  |        | 0.385                          | <a href="#">ZP-MC-PLG-29M8</a> |
|                                   |                                      | Pg 21 HC                          | <a href="#">ZP-MC24B-2-DTE21ML</a> |        | 0.612                          | <a href="#">ZP-MC-PLG-21M8</a> |
|                                   |                                      | Pg 29 HC                          | <a href="#">ZP-MC24B-2-DTE29ML</a> |        | 0.560                          | <a href="#">ZP-MC-PLG-29M8</a> |
|                                   | Top Double Entry Hood (4 Peg)        | Pg 21x2                           | <a href="#">ZP-MC24B-2-DTE21M2</a> |        | 0.664                          | <a href="#">ZP-MC-PLG-21M8</a> |
|                                   |                                      | Pg 29x2                           | <a href="#">ZP-MC24B-2-DTE29M2</a> |        | 0.648                          | <a href="#">ZP-MC-PLG-29M8</a> |
|                                   | Side Entry Hood (Double Lever)       | Pg 21                             | <a href="#">ZP-MC24B-2-DSE21M</a>  |        | 0.427                          | <a href="#">ZP-MC-PLG-21M8</a> |
|                                   |                                      | Pg 29                             | <a href="#">ZP-MC24B-2-DSE29M</a>  |        | 0.388                          | <a href="#">ZP-MC-PLG-29M8</a> |
|                                   |                                      | Pg 21 HC                          | <a href="#">ZP-MC24B-2-DSE21ML</a> |        | 0.560                          | <a href="#">ZP-MC-PLG-21M8</a> |
|                                   |                                      | Pg 29 HC                          | <a href="#">ZP-MC24B-2-DSE29ML</a> |        | 0.659                          | <a href="#">ZP-MC-PLG-29M8</a> |
|                                   | Surface Mount Base (4 Peg)           | Pg 21x2                           | <a href="#">ZP-MC24B-2-DSM21M</a>  |        | 0.747                          | <a href="#">ZP-MC-PLG-21M8</a> |
|                                   |                                      | Pg 21x2 HC                        | <a href="#">ZP-MC24B-2-DSM21ML</a> |        | 0.930                          | <a href="#">ZP-MC-PLG-21M8</a> |
|                                   |                                      | Pg 29x2 HC                        | <a href="#">ZP-MC24B-2-DSM29ML</a> |        | 0.901                          | <a href="#">ZP-MC-PLG-29M8</a> |
|                                   | Bulkhead Base (Double Lever)         | N/A                               | <a href="#">ZP-MC24B-2-DBHM</a>    |        | 0.343                          | N/A                            |
|                                   | Coupler (Double Lever)               | Pg 21                             | <a href="#">ZP-MC24B-2-DCP21M</a>  |        | 0.599                          | <a href="#">ZP-MC-PLG-21M8</a> |
|                                   |                                      | Pg 21 HC                          | <a href="#">ZP-MC24B-2-DCP21ML</a> |        | 0.813                          | <a href="#">ZP-MC-PLG-21M8</a> |
|                                   |                                      | Pg 29 HC                          | <a href="#">ZP-MC24B-2-DCP29ML</a> |        | 0.782                          | <a href="#">ZP-MC-PLG-29M8</a> |
|                                   | Cover (Double Lever)                 | N/A                               | <a href="#">ZP-MC24B-2-DCVLM</a>   |        | 0.291                          | N/A                            |
| Cover (4 Peg)                     | N/A                                  | <a href="#">ZP-MC24B-2-DCVPM</a>  |                                    | 0.152  | N/A                            |                                |

HC = High Construction \*\* To convert to NPT, select a Pg to NPT adapter. \*\*\* Accessories pricing and details can be found in the Accessories section.



# STD Series Multi-Wire Connectors Size 24B



Double Lever Surface Mount Base



Double Lever Surface Mount Base High Capacity



Double Lever Bulkhead Base



Double Lever Coupler



Double Lever Coupler High Capacity



Double Lever Cover 2 Lever



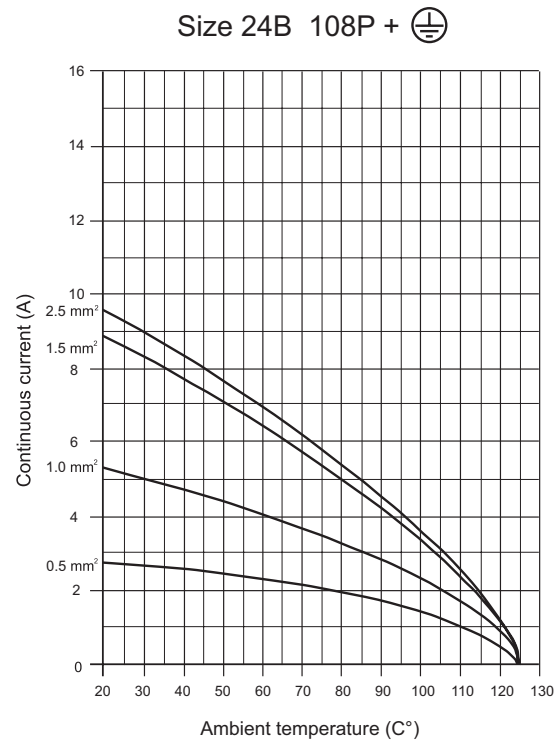
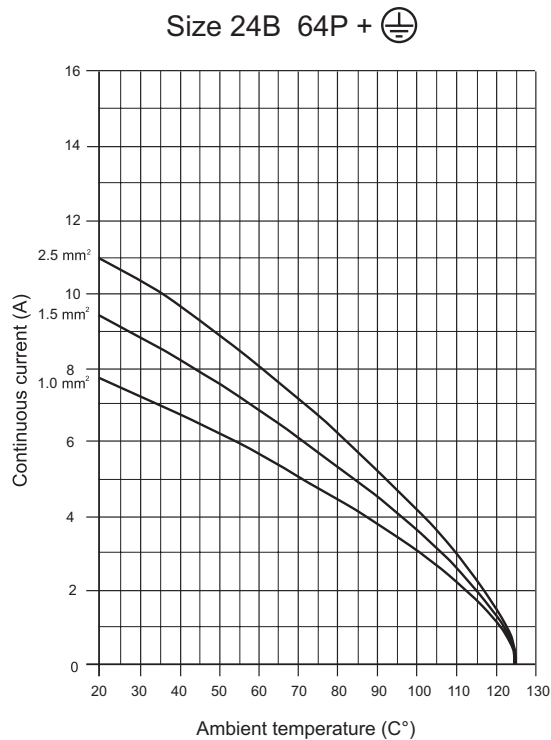
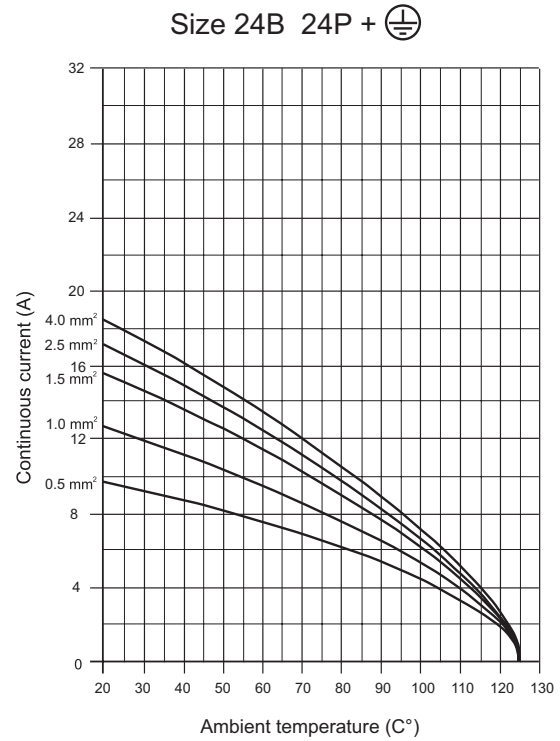
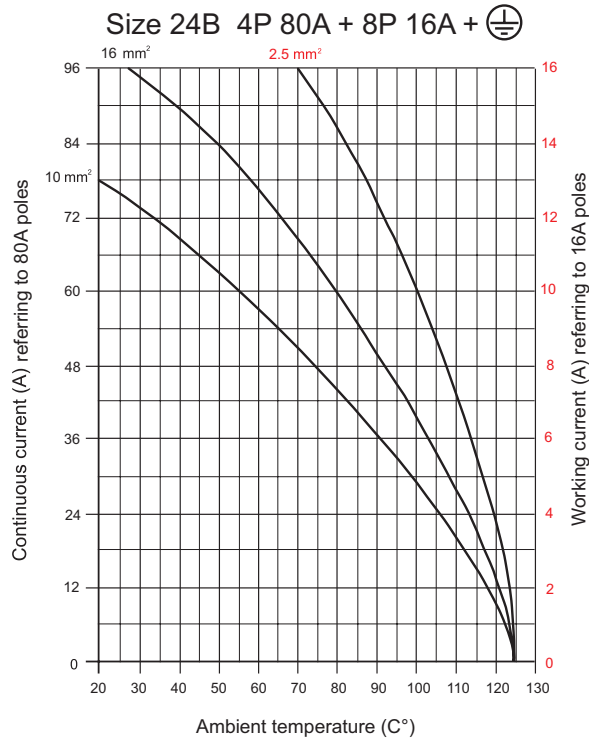
Double Lever Cover 4 Peg

Note: See end of section for accessory photos.

| Accessories Continued***     |                                      |                               |                               |                               |                               |                               |
|------------------------------|--------------------------------------|-------------------------------|-------------------------------|-------------------------------|-------------------------------|-------------------------------|
| Housing Component            | IP66 Cable Glands                    | IP68 Cable Glands             | Pg to NPT Adapter             |                               |                               |                               |
|                              |                                      |                               | Pg 21 to 3/4"                 | Pg 29 to 1"                   | Pg 29 to 1/4"                 |                               |
| Single Lever / 2 Pegs        | Top Entry Hood (Single Lever)        | <a href="#">ZP-MC-CG-21M5</a> | <a href="#">ZP-MC-CG-21M8</a> | <a href="#">ZP-MC-A-21034</a> | N/A                           | N/A                           |
|                              |                                      | N/A                           | <a href="#">ZP-MC-CG-21M8</a> | <a href="#">ZP-MC-A-21034</a> | N/A                           | N/A                           |
|                              |                                      | N/A                           | <a href="#">ZP-MC-CG-29M8</a> | N/A                           | <a href="#">ZP-MC-A-29100</a> | <a href="#">ZP-MC-A-29114</a> |
|                              | Side Entry Hood (Single Lever)       | <a href="#">ZP-MC-CG-21M5</a> | <a href="#">ZP-MC-CG-21M8</a> | <a href="#">ZP-MC-A-21034</a> | N/A                           | N/A                           |
|                              |                                      | N/A                           | <a href="#">ZP-MC-CG-21M8</a> | <a href="#">ZP-MC-A-21034</a> | N/A                           | N/A                           |
|                              |                                      | N/A                           | <a href="#">ZP-MC-CG-29M8</a> | N/A                           | <a href="#">ZP-MC-A-29100</a> | <a href="#">ZP-MC-A-29114</a> |
|                              | Surface Mount Base (2 Peg)           | <a href="#">ZP-MC-CG-21M5</a> | <a href="#">ZP-MC-CG-21M8</a> | <a href="#">ZP-MC-A-21034</a> | N/A                           | N/A                           |
|                              |                                      | <a href="#">ZP-MC-CG-21M5</a> | <a href="#">ZP-MC-CG-21M8</a> | <a href="#">ZP-MC-A-21034</a> | N/A                           | N/A                           |
|                              |                                      | <a href="#">ZP-MC-CG-29M5</a> | <a href="#">ZP-MC-CG-29M8</a> | N/A                           | <a href="#">ZP-MC-A-29100</a> | <a href="#">ZP-MC-A-29114</a> |
|                              | Surface Mount (Single Lever w/Cover) | <a href="#">ZP-MC-CG-21M5</a> | <a href="#">ZP-MC-CG-21M8</a> | <a href="#">ZP-MC-A-21034</a> | N/A                           | N/A                           |
|                              |                                      | <a href="#">ZP-MC-CG-21M5</a> | <a href="#">ZP-MC-CG-21M8</a> | <a href="#">ZP-MC-A-21034</a> | N/A                           | N/A                           |
|                              |                                      | <a href="#">ZP-MC-CG-29M5</a> | <a href="#">ZP-MC-CG-29M8</a> | N/A                           | <a href="#">ZP-MC-A-29100</a> | <a href="#">ZP-MC-A-29114</a> |
|                              | Surface Mount w/Automatic Cover      | <a href="#">ZP-MC-CG-21M5</a> | <a href="#">ZP-MC-CG-21M8</a> | <a href="#">ZP-MC-A-21034</a> | N/A                           | N/A                           |
|                              |                                      | <a href="#">ZP-MC-CG-21M5</a> | <a href="#">ZP-MC-CG-21M8</a> | <a href="#">ZP-MC-A-21034</a> | N/A                           | N/A                           |
|                              |                                      | <a href="#">ZP-MC-CG-29M5</a> | <a href="#">ZP-MC-CG-29M8</a> | N/A                           | <a href="#">ZP-MC-A-29100</a> | <a href="#">ZP-MC-A-29114</a> |
| Bulkhead Base (Single Lever) | N/A                                  | N/A                           | N/A                           | N/A                           | N/A                           |                               |
| Bulkhead w/Cover             | N/A                                  | N/A                           | N/A                           | N/A                           | N/A                           |                               |
| Bulkhead w/Automatic Cover   | N/A                                  | N/A                           | N/A                           | N/A                           | N/A                           |                               |
| Coupler (2 Peg)              | <a href="#">ZP-MC-CG-21M5</a>        | <a href="#">ZP-MC-CG-21M8</a> | <a href="#">ZP-MC-A-21034</a> | N/A                           | N/A                           |                               |
| Cover (Single Lever)         | N/A                                  | N/A                           | N/A                           | N/A                           | N/A                           |                               |
| Cover (2 Peg)                | N/A                                  | N/A                           | N/A                           | N/A                           | N/A                           |                               |
| Double Lever / 4 Pegs        | Top Entry Hood (Double Lever)        | <a href="#">ZP-MC-CG-21M5</a> | <a href="#">ZP-MC-CG-21M8</a> | <a href="#">ZP-MC-A-21034</a> | N/A                           | N/A                           |
|                              |                                      | <a href="#">ZP-MC-CG-29M5</a> | <a href="#">ZP-MC-CG-29M8</a> | N/A                           | <a href="#">ZP-MC-A-29100</a> | <a href="#">ZP-MC-A-29114</a> |
|                              |                                      | N/A                           | <a href="#">ZP-MC-CG-21M8</a> | <a href="#">ZP-MC-A-21034</a> | N/A                           | N/A                           |
|                              | Top Double Entry Hood (4 Peg)        | <a href="#">ZP-MC-CG-21M5</a> | <a href="#">ZP-MC-CG-21M8</a> | <a href="#">ZP-MC-A-21034</a> | N/A                           | N/A                           |
|                              |                                      | <a href="#">ZP-MC-CG-29M5</a> | <a href="#">ZP-MC-CG-29M8</a> | N/A                           | <a href="#">ZP-MC-A-29100</a> | <a href="#">ZP-MC-A-29114</a> |
|                              |                                      | N/A                           | <a href="#">ZP-MC-CG-29M8</a> | N/A                           | <a href="#">ZP-MC-A-29100</a> | <a href="#">ZP-MC-A-29114</a> |
|                              | Side Entry Hood (Double Lever)       | <a href="#">ZP-MC-CG-21M5</a> | <a href="#">ZP-MC-CG-21M8</a> | <a href="#">ZP-MC-A-21034</a> | N/A                           | N/A                           |
|                              |                                      | <a href="#">ZP-MC-CG-29M5</a> | <a href="#">ZP-MC-CG-29M8</a> | N/A                           | <a href="#">ZP-MC-A-29100</a> | <a href="#">ZP-MC-A-29114</a> |
|                              |                                      | N/A                           | <a href="#">ZP-MC-CG-21M8</a> | <a href="#">ZP-MC-A-21034</a> | N/A                           | N/A                           |
|                              | Surface Mount Base (4 Peg)           | <a href="#">ZP-MC-CG-21M5</a> | <a href="#">ZP-MC-CG-21M8</a> | <a href="#">ZP-MC-A-21034</a> | N/A                           | N/A                           |
|                              |                                      | N/A                           | <a href="#">ZP-MC-CG-21M8</a> | <a href="#">ZP-MC-A-21034</a> | N/A                           | N/A                           |
|                              |                                      | N/A                           | <a href="#">ZP-MC-CG-29M8</a> | N/A                           | <a href="#">ZP-MC-A-29100</a> | <a href="#">ZP-MC-A-29114</a> |
|                              | Bulkhead Base (Double Lever)         | N/A                           | N/A                           | N/A                           | N/A                           | N/A                           |
|                              | Coupler (Double Lever)               | <a href="#">ZP-MC-CG-21M5</a> | <a href="#">ZP-MC-CG-21M8</a> | <a href="#">ZP-MC-A-21034</a> | N/A                           | N/A                           |
|                              |                                      | N/A                           | <a href="#">ZP-MC-CG-21M8</a> | <a href="#">ZP-MC-A-21034</a> | N/A                           | N/A                           |
| N/A                          |                                      | <a href="#">ZP-MC-CG-29M8</a> | N/A                           | <a href="#">ZP-MC-A-29100</a> | <a href="#">ZP-MC-A-29114</a> |                               |
| Cover (Double Lever)         | N/A                                  | N/A                           | N/A                           | N/A                           | N/A                           |                               |
| Cover (4 Peg)                | N/A                                  | N/A                           | N/A                           | N/A                           | N/A                           |                               |

\*\*\* Accessories pricing and details can be found in the Accessories section.

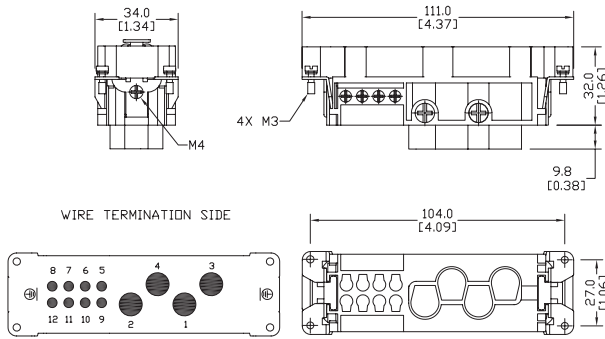
## Electrical Engineering Data - Load Diagrams



## Size 24B Inserts

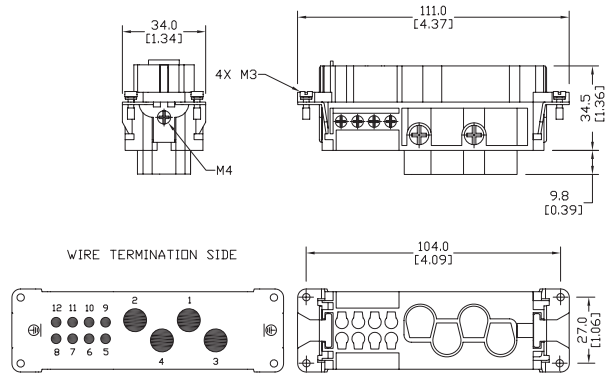
Dimensions mm [in]

### 8 + 4 + $\oplus$ – Screw Terminals Male



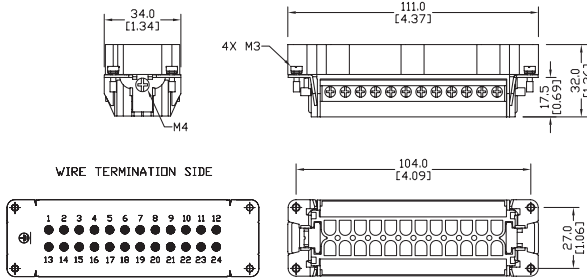
ZP-MC24B-1-MS048

### Female



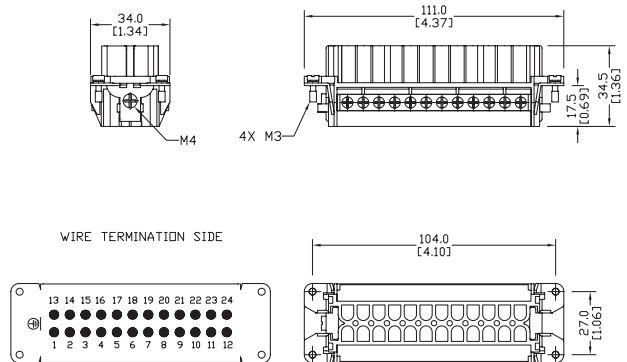
ZP-MC24B-1-FS048

### 24 + $\oplus$ – Screw Terminals Male



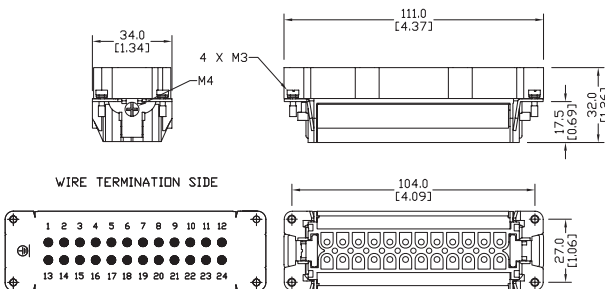
ZP-MC24B-1-MS024

### Female



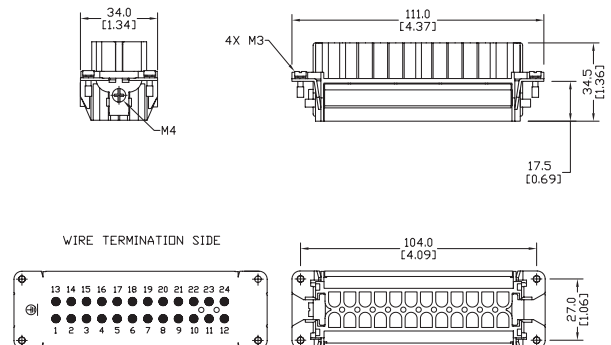
ZP-MC24B-1-FS024

### 24 + $\oplus$ – Crimp Contacts Male



ZP-MC24B-1-MC024

### Female

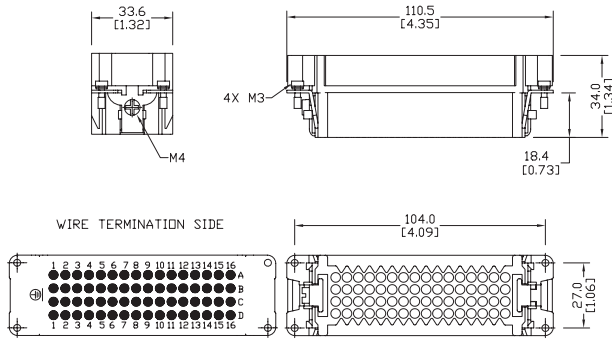


ZP-MC24B-1-FC024



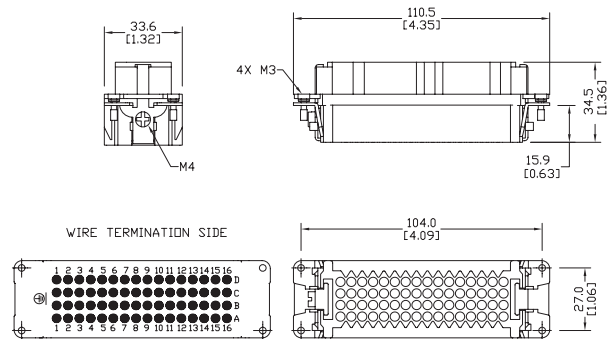
## Size 24B Inserts Dimensions mm [in]

### 64 + $\pm$ – Crimp Contacts Male



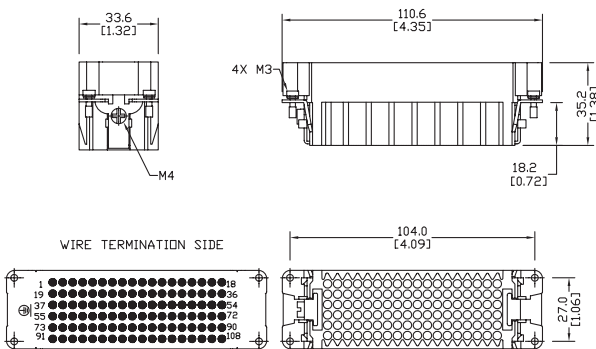
ZP-MC24B-1-MC064

### Female



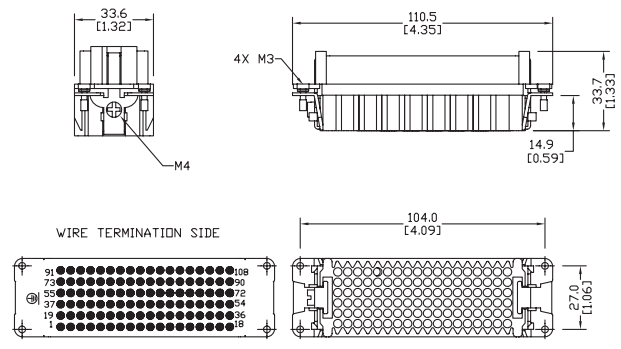
ZP-MC24B-1-FC064

### 108 + $\pm$ – Crimp Contacts Male



ZP-MC24B-1-MC108

### Female



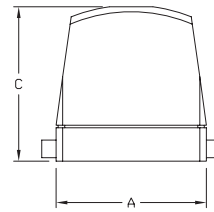
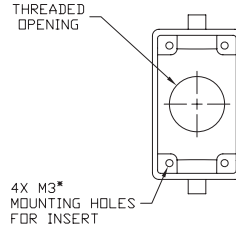
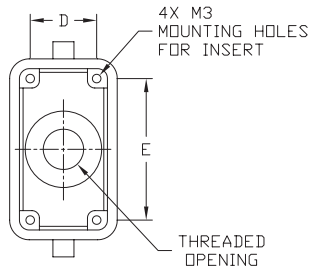
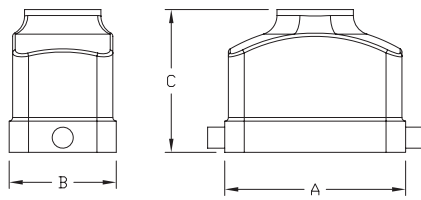
ZP-MC24B-1-FC108

## Size 6B, 10B, 16B, 24B, 32B Hoods

Dimensions mm [in]

### Single Lever Top Entry High Construction Hood

#### Single Lever Top Entry Hood

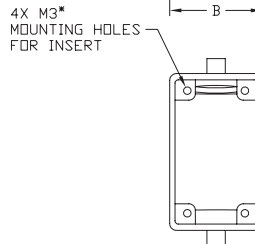
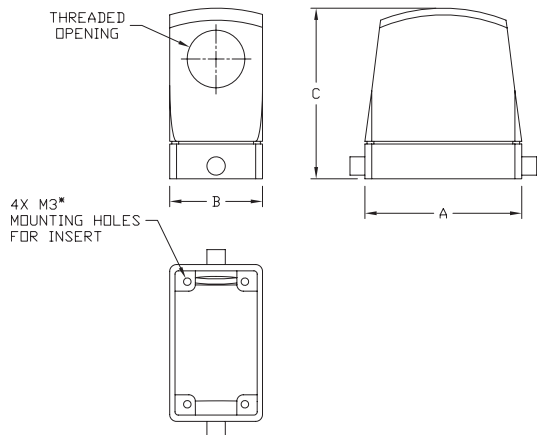
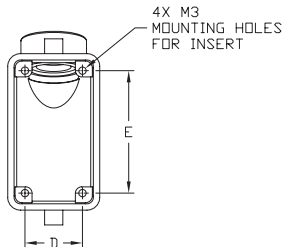
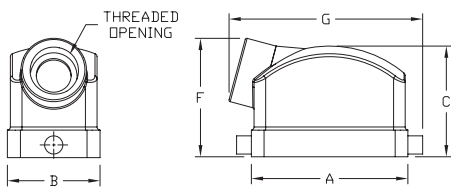


| Single Lever Top Entry High Construction Hood |      |        |        |        |        |
|---|------|--------|--------|--------|--------|
| Part Number                                   | Size | Thread | A      | B      | C      |
| <a href="#">ZP-MC06B-2-STE21ML</a>            | 6B   | Pg 21  | 60.0   | 43.5   | 75.0   |
| <a href="#">ZP-MC06B-2-STE29ML</a>            |      | Pg 29  | [2.36] | [1.71] | [2.95] |
| <a href="#">ZP-MC10B-2-STE21ML</a>            | 10B  | Pg 21  | 73.5   | 43.5   | 75.5   |
| <a href="#">ZP-MC10B-2-STE29ML</a>            |      | Pg 29  | [2.89] | [1.71] | [2.97] |
| <a href="#">ZP-MC16B-2-STE21ML</a>            | 16B  | Pg 21  | 94.0   | 43.5   | 75.5   |
| <a href="#">ZP-MC16B-2-STE29ML</a>            |      | Pg 29  | [3.70] | [1.71] | [2.97] |
| <a href="#">ZP-MC24B-2-STE21ML</a>            | 24B  | Pg 21  | 120.5  | 43.5   | 75.5   |
| <a href="#">ZP-MC24B-2-STE29ML</a>            |      | Pg 29  | [4.74] | [1.71] | [2.97] |

| Single Lever Top Entry Hood       |      |        |                 |                |                |                |                 |
|-----------------------------------|------|--------|-----------------|----------------|----------------|----------------|-----------------|
| Part Number                       | Size | Thread | A               | B              | C              | D              | E               |
| <a href="#">ZP-MC06B-2-STE16M</a> | 6B   | Pg 16  | 60.0<br>[2.36]  | 43.5<br>[1.71] | 53.0<br>[2.09] | 27.0<br>[1.06] | 44.0<br>[1.73]  |
| <a href="#">ZP-MC10B-2-STE16M</a> | 10B  | Pg 16  | 73.5<br>[2.89]  | 43.5<br>[1.71] | 58.0<br>[2.28] | 27.0<br>[1.06] | 57.0<br>[2.24]  |
| <a href="#">ZP-MC16B-2-STE21M</a> | 16B  | Pg 21  | 94<br>[3.70]    | 43.5<br>[1.71] | 58.0<br>[2.28] | 27.0<br>[1.06] | 77.5<br>[3.05]  |
| <a href="#">ZP-MC24B-2-STE21M</a> | 24B  | Pg 21  | 120.5<br>[4.74] | 43.5<br>[1.71] | 68.0<br>[2.68] | 27.0<br>[1.06] | 104.0<br>[4.09] |

### Single Lever Side Entry High Construction Hood

#### Single Lever Side Entry Hood



| Single Lever Side Entry High Construction Hood |      |        |                |                |                |
|--|------|--------|----------------|----------------|----------------|
| Part Number                                    | Size | Thread | A              | B              | C              |
| <a href="#">ZP-MC06B-2-SSE21ML</a>             | 6B   | Pg 21  | 60.0           | 43.5           | 80.0           |
| <a href="#">ZP-MC06B-2-SSE29ML</a>             |      | Pg 29  | [2.36]         | [1.71]         | [3.15]         |
| <a href="#">ZP-MC10B-2-SSE21ML</a>             | 10B  | Pg 21  | 73.5           | 43.5           | 80.0           |
| <a href="#">ZP-MC10B-2-SSE29ML</a>             |      | Pg 29  | [2.90]         | [1.71]         | [3.15]         |
| <a href="#">ZP-MC16B-2-SSE21ML</a>             | 16B  | Pg 21  | 94.0           | 43.5           | 80.0           |
| <a href="#">ZP-MC16B-2-SSE29ML</a>             |      | Pg 29  | [3.70]         | [1.71]         | [3.15]         |
| <a href="#">ZP-MC24B-2-SSE21ML</a>             | 24B  | Pg 21  | 120.5          | 43.5           | 80.0           |
| <a href="#">ZP-MC24B-2-SSE29ML</a>             |      | Pg 29  | [4.74]         | [1.71]         | [3.15]         |
| <a href="#">ZP-MC32B-2-SSE36M</a>              | 32B* | Pg 36  | 94.0<br>[3.70] | 83.0<br>[3.27] | 94.0<br>[3.70] |

\*Note: Size 32B hoods require 2 of the 16B inserts.

| Single Lever Side Entry Hood      |      |        |                 |                |                |                |                 |                |                 |
|-----------------------------------|------|--------|-----------------|----------------|----------------|----------------|-----------------|----------------|-----------------|
| Part Number                       | Size | Thread | A               | B              | C              | D              | E               | F              | G               |
| <a href="#">ZP-MC06B-2-SSE16M</a> | 6B   | Pg 16  | 60.0<br>[2.36]  | 43.5<br>[1.71] | 47.0<br>[1.85] | 27.0<br>[1.06] | 44.0<br>[1.73]  | 54.0<br>[2.13] | 78.5<br>[3.09]  |
| <a href="#">ZP-MC10B-2-SSE16M</a> | 10B  | Pg 16  | 73.5<br>[2.89]  | 43.5<br>[1.71] | 52.0<br>[2.05] | 27.0<br>[1.06] | 57.0<br>[2.24]  | 55.6<br>[2.19] | 90.9<br>[3.58]  |
| <a href="#">ZP-MC16B-2-SSE21M</a> | 16B  | Pg 21  | 94.0<br>[3.70]  | 43.5<br>[1.71] | 63.0<br>[2.48] | 27.0<br>[1.06] | 77.5<br>[3.05]  | 66.2<br>[2.61] | 109.7<br>[4.32] |
| <a href="#">ZP-MC24B-2-SSE21M</a> | 24B  | Pg 21  | 120.5<br>[4.74] | 43.5<br>[1.71] | 63.0<br>[2.48] | 27.0<br>[1.06] | 104.0<br>[4.09] | 65.4<br>[2.58] | 136.4<br>[5.37] |

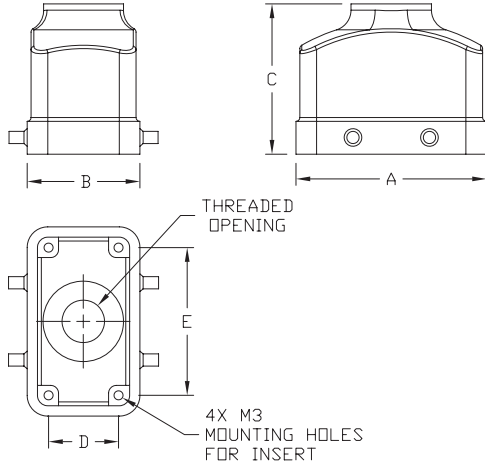


# STD Series Multi-Wire Dimensions

## Size 10B, 16B, 24B, 32B Hoods

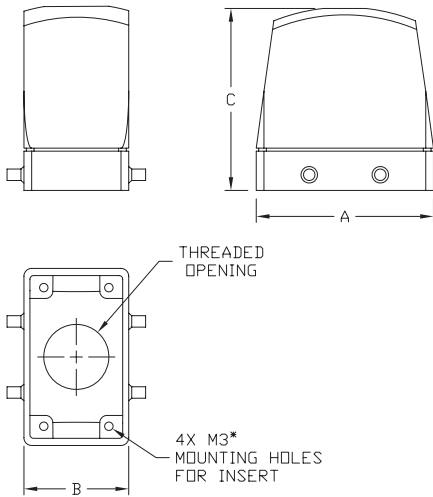
Dimensions mm [in]

### Double Lever Top Entry Hood



| Double Lever Top Entry Hood       |      |        |                 |                |                |                |                 |
|-----------------------------------|------|--------|-----------------|----------------|----------------|----------------|-----------------|
| Part Number                       | Size | Thread | A               | B              | C              | D              | E               |
| <a href="#">ZP-MC10B-2-DTE16M</a> | 10B  | Pg 16  | 73.5<br>[2.89]  | 43.5<br>[1.71] | 58.0<br>[2.28] | 27.0<br>[1.06] | 57.0<br>[2.24]  |
| <a href="#">ZP-MC16B-2-DTE21M</a> | 16B  | Pg 21  | 94.0<br>[3.70]  | 43.5<br>[1.71] | 58.0<br>[2.28] | 27.0<br>[1.06] | 77.5<br>[3.05]  |
| <a href="#">ZP-MC24B-2-DTE21M</a> | 24B  | Pg 21  | 120.5<br>[4.74] | 43.5<br>[1.71] | 68.0<br>[2.68] | 27.0<br>[1.06] | 104.0<br>[4.09] |
| <a href="#">ZP-MC24B-2-DTE29M</a> |      | Pg 29  |                 |                |                |                |                 |

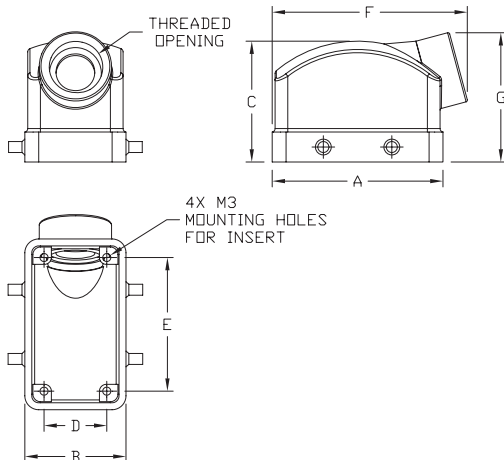
### Double Lever Top Entry High Construction Hood



| Double Lever Top High Construction Hood |      |        |                 |                |                |
|---|------|--------|-----------------|----------------|----------------|
| Part Number                             | Size | Thread | A               | B              | C              |
| <a href="#">ZP-MC10B-2-DTE21ML</a>      | 10B  | Pg 21  | 73.5<br>[2.89]  | 43.5<br>[1.71] | 75.5<br>[2.97] |
| <a href="#">ZP-MC10B-2-DTE29ML</a>      |      | Pg 29  |                 |                |                |
| <a href="#">ZP-MC16B-2-DTE21ML</a>      | 16B  | Pg 21  | 94.0<br>[3.70]  | 43.5<br>[1.71] | 75.5<br>[2.97] |
| <a href="#">ZP-MC16B-2-DTE29ML</a>      |      | Pg 29  |                 |                |                |
| <a href="#">ZP-MC24B-2-DTE21ML</a>      | 24B  | Pg 21  | 120.5<br>[4.74] | 43.5<br>[1.71] | 75.5<br>[2.97] |
| <a href="#">ZP-MC24B-2-DTE29ML</a>      |      | Pg 29  |                 |                |                |
| <a href="#">ZP-MC32B-2-DTE36M</a>       | 32B* | Pg 36  | 94.0<br>[3.70]  | 83.0<br>[3.27] | 89.0<br>[3.50] |

\*Note: Size 32B hoods require 2 of the 16B inserts

### Double Lever Side Entry Hood



| Double Lever Side Entry Hood      |      |        |                 |                |                |                |                 |                |                 |
|-----------------------------------|------|--------|-----------------|----------------|----------------|----------------|-----------------|----------------|-----------------|
| Part Number                       | Size | Thread | A               | B              | C              | D              | E               | F              | G               |
| <a href="#">ZP-MC10B-2-DSE16M</a> | 10B  | Pg 16  | 73.5<br>[2.89]  | 43.5<br>[1.71] | 52.0<br>[2.05] | 27.5<br>[1.08] | 57.5<br>[2.26]  | 57.5<br>[2.26] | 83.9<br>[3.30]  |
| <a href="#">ZP-MC16B-2-DSE21M</a> | 16B  | Pg 21  | 94.0<br>[3.70]  | 43.5<br>[1.71] | 63.0<br>[2.48] | 27.5<br>[1.08] | 77.5<br>[3.05]  | 58.0<br>[2.28] | 102.7<br>[4.04] |
| <a href="#">ZP-MC24B-2-DSE21M</a> | 24B  | Pg 21  | 120.5<br>[4.74] | 43.5<br>[1.71] | 63.0<br>[2.48] | 27.5<br>[1.08] | 104.0<br>[4.09] | 57.0<br>[2.24] | 129.3<br>[5.09] |
| <a href="#">ZP-MC24B-2-DSE29M</a> |      | Pg 29  |                 |                |                |                |                 |                |                 |

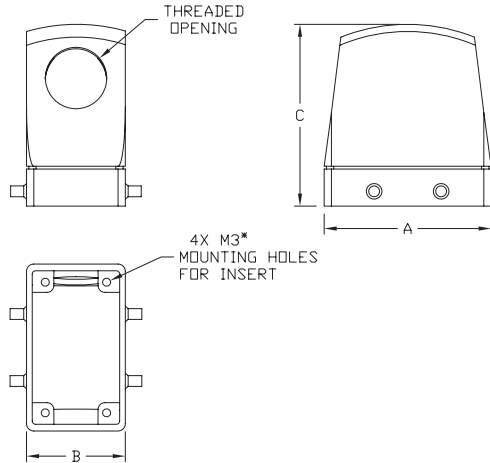


# STD Series Multi-Wire Dimensions

## Size 10B, 16B, 24B, 32B Hoods

Dimensions mm [in]

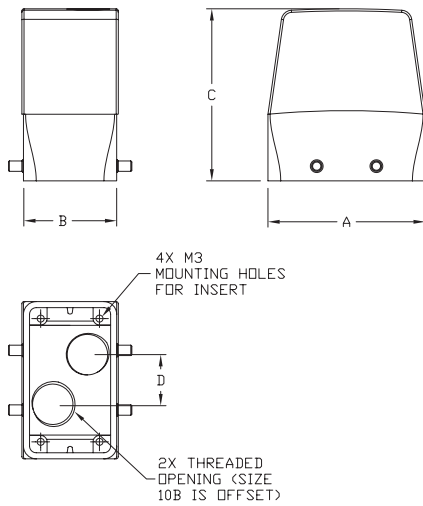
### Double Lever Side Entry High Construction Hood



| Double Lever Side Entry High Construction Hood |      |        |        |        |        |
|--|------|--------|--------|--------|--------|
| Part Number                                    | Size | Thread | A      | B      | C      |
| <a href="#">ZP-MC10B-2-DSE21ML</a>             | 10B  | Pg 21  | 73.5   | 43.5   | 80.0   |
| <a href="#">ZP-MC10B-2-DSE29ML</a>             |      | Pg 29  | [2.89] | [1.71] | [3.15] |
| <a href="#">ZP-MC16B-2-DSE21ML</a>             | 16B  | Pg 21  | 94.0   | 43.5   | 80.0   |
| <a href="#">ZP-MC16B-2-DSE29ML</a>             |      | Pg 29  | [3.70] | [1.71] | [3.15] |
| <a href="#">ZP-MC24B-2-DSE21ML</a>             | 24B  | Pg 21  | 120.5  | 43.5   | 80.0   |
| <a href="#">ZP-MC24B-2-DSE29ML</a>             |      | Pg 29  | [4.74] | [1.71] | [3.15] |
| <a href="#">ZP-MC32B-2-DSE36M</a>              | 32B* | Pg 36  | 94.0   | 83.0   | 94.0   |

\*Note: Size 32B hoods require 2 of the 16B inserts.

### Double Lever Double Top Entry Hood High Construction

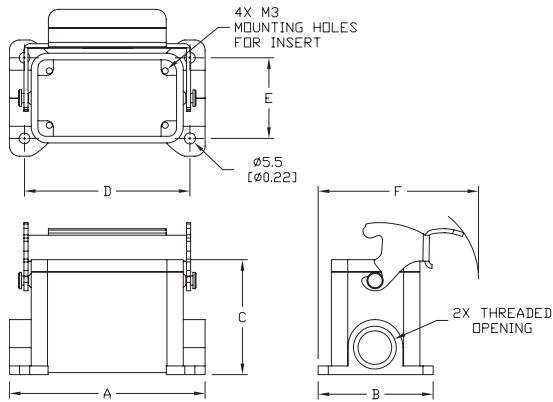


| Double Lever Double Top Entry High Construction Hood |      |           |                |                |                |                |
|--|------|-----------|----------------|----------------|----------------|----------------|
| Part Number  | Size | Thread    | A              | B              | C              | D              |
| <a href="#">ZP-MC10B-2-DTE13M2</a>                   | 10B  | Pg 13.5x2 | 73.5<br>[2.89] | 43.5<br>[1.71] | 81.0<br>[3.19] | 24.0<br>[0.94] |
| <a href="#">ZP-MC16B-2-DTE16M2</a>                   | 16B  | Pg 16x2   | 94.0           | 43.5           | 81.0           | 38.0           |
| <a href="#">ZP-MC16B-2-DTE21M2</a>                   |      | Pg 21x2   | [3.70]         | [1.71]         | [3.19]         | [1.50]         |
| <a href="#">ZP-MC24B-2-DTE21M2</a>                   | 24B  | Pg 21x2   | 120.5          | 43.5           | 81.0           | 53.0           |
| <a href="#">ZP-MC24B-2-DTE29M2</a>                   |      | Pg 29x2   | [4.74]         | [1.71]         | [3.19]         | [2.09]         |

## Size 6B, 10B, 16B, 24B, 32B Bases

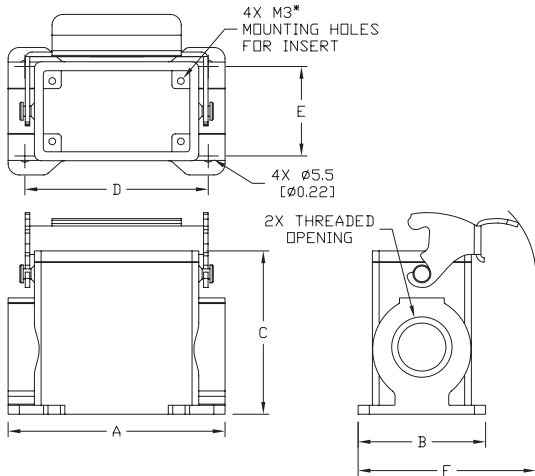
Dimensions mm [in]

### Single Lever Surface Mount Base



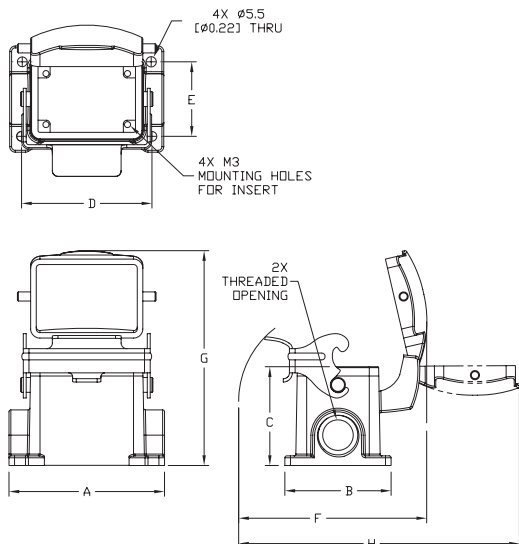
| Single Lever Surface Mount Base   |      |         |                 |                |                |                 |                |                 |
|-----------------------------------|------|---------|-----------------|----------------|----------------|-----------------|----------------|-----------------|
| Part Number                       | Size | Thread  | A               | B              | C              | D               | E              | F               |
| <a href="#">ZP-MC06B-2-SSM16M</a> | 6B   | Pg 16x2 | 83.5<br>[3.29]  | 57.0<br>[2.24] | 53.0<br>[2.09] | 70.0<br>[2.76]  | 40.0<br>[1.57] | 79.5<br>[3.13]  |
| <a href="#">ZP-MC10B-2-SSM16M</a> | 10B  | Pg 16x2 | 97.0<br>[3.82]  | 57.0<br>[2.24] | 57.0<br>[2.24] | 82.0<br>[3.23]  | 40.0<br>[1.57] | 79.5<br>[3.13]  |
| <a href="#">ZP-MC16B-2-SSM21M</a> | 16B  | Pg 21x2 | 117.0<br>[4.61] | 57.0<br>[2.24] | 63.0<br>[2.48] | 105.0<br>[4.13] | 45.0<br>[1.77] | 79.5<br>[3.13]  |
| <a href="#">ZP-MC24B-2-SSM21M</a> | 24B  | Pg 21x2 | 143.5<br>[5.65] | 57.0<br>[2.24] | 63.0<br>[2.48] | 132<br>[5.20]   | 45.0<br>[1.77] | 79.5<br>[3.13]  |
| <a href="#">ZP-MC32B-2-SSM36M</a> | 32B  | Pg 36x2 | 125.0<br>[4.92] | 84.5<br>[3.33] | 87.5<br>[3.44] | 112.0<br>[4.41] | 67.0<br>[2.64] | 115.5<br>[4.55] |

### Single Lever High Construction Surface Mount Base



| Single Lever High Construction Surface Mount Base |      |         |                 |                |                |                 |                |                |
|---|------|---------|-----------------|----------------|----------------|-----------------|----------------|----------------|
| Part Number                                       | Size | Thread  | A               | B              | C              | D               | E              | F              |
| <a href="#">ZP-MC06B-2-SSM21ML</a>                | 6B   | Pg 21x2 | 83.5<br>[3.29]  | 57.0<br>[2.24] | 72.0<br>[2.84] | 70.0<br>[2.76]  | 40.0<br>[1.57] | 79.5<br>[3.13] |
| <a href="#">ZP-MC06B-2-SSM29ML</a>                |      | Pg 29x2 |                 |                |                |                 |                |                |
| <a href="#">ZP-MC10B-2-SSM21ML</a>                | 10B  | Pg 21x2 | 97.0<br>[3.82]  | 57.0<br>[2.24] | 73.0<br>[2.88] | 82.0<br>[3.23]  | 40.0<br>[1.57] | 79.5<br>[3.13] |
| <a href="#">ZP-MC10B-2-SSM29ML</a>                |      | Pg 29x2 |                 |                |                |                 |                |                |
| <a href="#">ZP-MC16B-2-SSM21ML</a>                | 16B  | Pg 21x2 | 117.0<br>[4.61] | 57.0<br>[2.24] | 77.0<br>[3.03] | 105.0<br>[4.13] | 45.0<br>[1.77] | 79.5<br>[3.13] |
| <a href="#">ZP-MC16B-2-SSM29ML</a>                |      | Pg 29x2 |                 |                |                |                 |                |                |
| <a href="#">ZP-MC24B-2-SSM21ML</a>                | 24B  | Pg 21x2 | 143.5<br>[5.65] | 57.0<br>[2.24] | 80.0<br>[3.15] | 132.0<br>[5.20] | 45.0<br>[1.77] | 79.5<br>[3.13] |
| <a href="#">ZP-MC24B-2-SSM29ML</a>                |      | Pg 29x2 |                 |                |                |                 |                |                |

### Single Lever Surface Mount Base With Cover



| Single Lever Surface Mount Base With Cover |      |         |                 |                |                |                 |                |                 |                 |                 |
|--|------|---------|-----------------|----------------|----------------|-----------------|----------------|-----------------|-----------------|-----------------|
| Part Number                                | Size | Thread  | A               | B              | C              | D               | E              | F               | G               | H               |
| <a href="#">ZP-MC06B-2-SSM16C</a>          | 6B   | Pg 16x2 | 83.5<br>[3.29]  | 57.0<br>[2.24] | 53.0<br>[2.09] | 70.0<br>[2.76]  | 40.0<br>[1.57] | 101.0<br>[3.98] | 115.3<br>[4.54] | 150.7<br>[5.93] |
| <a href="#">ZP-MC10B-2-SSM16C</a>          | 10B  | Pg 16x2 | 97.0<br>[3.82]  | 57.0<br>[2.24] | 57.0<br>[2.24] | 82.0<br>[3.23]  | 40.0<br>[1.57] | 101.0<br>[3.98] | 115.3<br>[4.54] | 145.5<br>[5.73] |
| <a href="#">ZP-MC16B-2-SSM21C</a>          | 16B  | Pg 21x2 | 117.0<br>[4.61] | 57.0<br>[2.24] | 63.0<br>[2.48] | 105.0<br>[4.13] | 45.0<br>[1.77] | 101.0<br>[3.98] | 124.5<br>[4.90] | 145.5<br>[5.73] |
| <a href="#">ZP-MC24B-2-SSM21C</a>          | 24B  | Pg 21x2 | 143.5<br>[5.65] | 57.0<br>[2.24] | 63.0<br>[2.48] | 132.0<br>[5.20] | 45.0<br>[1.77] | 101.0<br>[3.98] | 124.5<br>[4.90] | 145.5<br>[5.73] |
| <a href="#">ZP-MC32B-2-SSM36C</a>          | 32B  | Pg 36x2 | 125.0<br>[4.92] | 84.5<br>[3.33] | 87.5<br>[3.44] | 112.0<br>[4.41] | 67.0<br>[2.64] | 146.0<br>[5.75] | 187.0<br>[7.36] | 228.9<br>[9.01] |

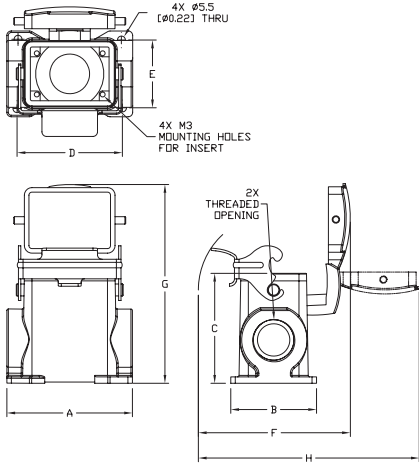


# STD Series Multi-Wire Dimensions

## Size 6B, 10B, 16B, 24B, 32B Bases

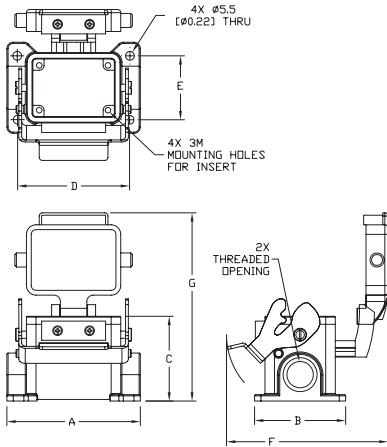
Dimensions mm [in]

### Single Lever High Construction Surface Mount Base With Cover



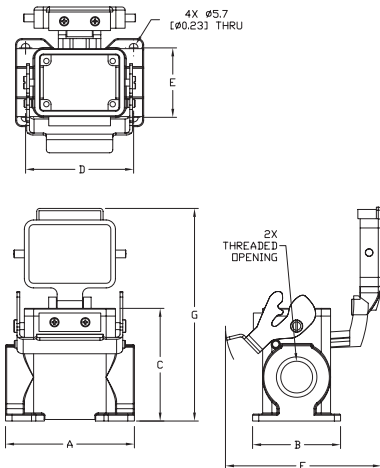
| Single Lever High Construction Surface Mount Base With Cover |      |         |        |        |        |        |        |        |        |        |
|--|------|---------|--------|--------|--------|--------|--------|--------|--------|--------|
| Part Number  | Size | Thread  | A      | B      | C      | D      | E      | F      | G      | H      |
| <a href="#">ZP-MC06B-2-SSM21CL</a>                           | 6B   | Pg 21x2 | 83.5   | 57.0   | 73.0   | 70.0   | 45.0   | 101.0  | 132.1  | 146.8  |
| <a href="#">ZP-MC06B-2-SSM29CL</a>                           |      | Pg 29x2 | [3.29] | [2.24] | [2.87] | [2.76] | [1.77] | [3.98] | [5.20] | [5.78] |
| <a href="#">ZP-MC10B-2-SSM21CL</a>                           | 10B  | Pg 21x2 | 97.0   | 57.0   | 73.0   | 82.0   | 45.0   | 101.0  | 133.3  | 148.0  |
| <a href="#">ZP-MC10B-2-SSM29CL</a>                           |      | Pg 29x2 | [3.82] | [2.24] | [2.87] | [3.23] | [1.77] | [3.98] | [5.25] | [5.83] |
| <a href="#">ZP-MC16B-2-SSM21CL</a>                           | 16B  | Pg 21x2 | 117.0  | 57.0   | 77.0   | 105.0  | 45.0   | 101.0  | 137.5  | 150.0  |
| <a href="#">ZP-MC16B-2-SSM29CL</a>                           |      | Pg 29x2 | [4.61] | [2.24] | [3.03] | [4.13] | [1.77] | [3.98] | [5.41] | [5.91] |
| <a href="#">ZP-MC24B-2-SSM21CL</a>                           | 24B  | Pg 21x2 | 143.5  | 57.0   | 80.0   | 132.0  | 45.0   | 101.0  | 140.5  | 154.4  |
| <a href="#">ZP-MC24B-2-SSM29CL</a>                           |      | Pg 29x2 | [5.65] | [2.24] | [3.15] | [5.20] | [1.77] | [3.98] | [5.53] | [6.08] |

### Single Lever Surface Mount Base With Automatic Cover



| Single Lever Surface Mount Base With Automatic Cover |      |         |       |      |      |       |      |       |       |
|--|------|---------|-------|------|------|-------|------|-------|-------|
| Part Number  | Size | Thread  | A     | B    | C    | D     | E    | F     | G     |
| <a href="#">ZP-MC06B-2-SSM16CA</a>                   | 6B   | Pg 16x2 | 83.5  | 57.0 | 53.0 | 70.0  | 40.0 | 101.0 | 117.8 |
| <a href="#">ZP-MC10B-2-SSM16CA</a>                   | 10B  | Pg 16x2 | 97.0  | 57.0 | 57.0 | 82.0  | 40.0 | 101.0 | 121.0 |
| <a href="#">ZP-MC16B-2-SSM21CA</a>                   | 16B  | Pg 21x2 | 117.0 | 57.0 | 63.0 | 105.0 | 45.0 | 101.0 | 127.5 |
| <a href="#">ZP-MC24B-2-SSM21CA</a>                   | 24B  | Pg 21x2 | 143.5 | 57.0 | 63.0 | 132.0 | 45.0 | 101.0 | 127.8 |

### Single Lever High Construction Surface Mount Base With Automatic Cover



| Single Lever High Construction Surface Mount Base With Automatic Cover |      |         |        |        |        |        |        |        |        |
|--|------|---------|--------|--------|--------|--------|--------|--------|--------|
| Part Number  | Size | Thread  | A      | B      | C      | D      | E      | F      | G      |
| <a href="#">ZP-MC06B-2-SSM21CA</a>                                     | 6B   | Pg 21x2 | 83.5   | 57.0   | 73.0   | 70.0   | 45.0   | 101.0  | 137.3  |
| <a href="#">ZP-MC06B-2-SSM29CA</a>                                     |      | Pg 29x2 | [3.29] | [2.24] | [2.87] | [2.76] | [1.77] | [3.98] | [5.41] |
| <a href="#">ZP-MC10B-2-SSM21CA</a>                                     | 10B  | Pg 21x2 | 97.0   | 57.0   | 73.0   | 82.0   | 45.0   | 101.0  | 137.3  |
| <a href="#">ZP-MC10B-2-SSM29CA</a>                                     |      | Pg 29x2 | [3.82] | [2.24] | [2.87] | [3.23] | [1.77] | [3.98] | [5.41] |
| <a href="#">ZP-MC16B-2-SM21CAL</a>                                     | 16B  | Pg 21x2 | 117.0  | 57.0   | 77.0   | 105.0  | 45.0   | 101.0  | 141.7  |
| <a href="#">ZP-MC16B-2-SM29CAL</a>                                     |      | Pg 29x2 | [4.61] | [2.24] | [3.03] | [4.13] | [1.77] | [3.98] | [5.58] |
| <a href="#">ZP-MC24B-2-SM21CAL</a>                                     | 24B  | Pg 21x2 | 143.5  | 57.0   | 80.0   | 132.0  | 45.0   | 101.0  | 144.8  |
| <a href="#">ZP-MC24B-2-SM29CAL</a>                                     |      | Pg 29x2 | [5.65] | [2.24] | [3.15] | [5.20] | [1.77] | [3.98] | [5.70] |

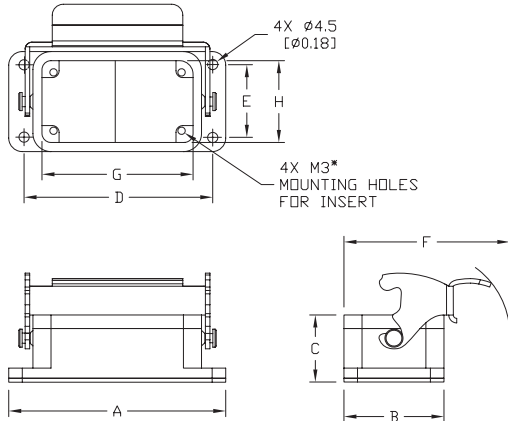


# STD Series Multi-Wire Dimensions

## Size 6B, 10B, 16B, 24B, 32B Bases

Dimensions mm [in]

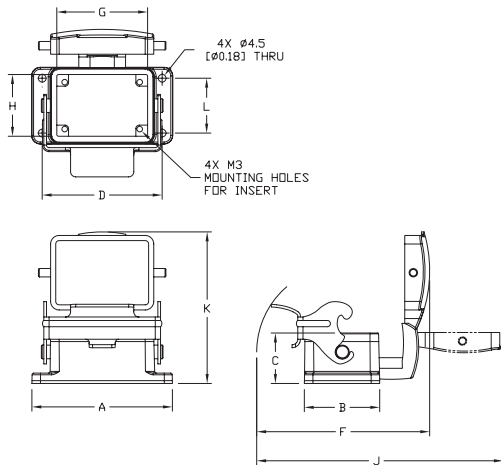
### Single Lever Bulkhead Base



| Single Lever Bulkhead Base |      |                 |                |                |                 |                |                 |                 |                |
|----------------------------|------|-----------------|----------------|----------------|-----------------|----------------|-----------------|-----------------|----------------|
| Part Number                | Size | A               | B              | C              | D               | E              | F               | G*              | H*             |
| <b>ZP-MC06B-2-SBHM</b>     | 6B   | 82.0<br>[3.23]  | 44.0<br>[1.73] | 29.5<br>[1.16] | 70.0<br>[2.75]  | 32.0<br>[1.26] | 73.0<br>[2.88]  | 53.0<br>[2.09]  | 36.0<br>[1.42] |
| <b>ZP-MC10B-2-SBHM</b>     | 10B  | 95.5<br>[3.76]  | 44.0<br>[1.73] | 29.5<br>[1.16] | 83.0<br>[3.27]  | 32.0<br>[1.26] | 73.0<br>[2.88]  | 66.5<br>[2.62]  | 36.0<br>[1.42] |
| <b>ZP-MC16B-2-SBHM</b>     | 16B  | 115.5<br>[4.55] | 44.0<br>[1.73] | 29.5<br>[1.16] | 103.0<br>[4.06] | 32.0<br>[1.26] | 73.0<br>[2.88]  | 86.5<br>[3.41]  | 36.0<br>[1.42] |
| <b>ZP-MC24B-2-SBHM</b>     | 24B  | 142.5<br>[5.61] | 44.0<br>[1.73] | 29.5<br>[1.16] | 130.0<br>[5.12] | 32.0<br>[1.26] | 73.0<br>[2.88]  | 113.0<br>[4.45] | 36.0<br>[1.42] |
| <b>ZP-MC32B-2-SBHM</b>     | 32B  | 124.5<br>[4.90] | 84.5<br>[3.33] | 35.5<br>[1.40] | 110.0<br>[4.33] | 65.0<br>[2.56] | 116.0<br>[4.57] | 87.5<br>[3.44]  | 76.5<br>[3.01] |

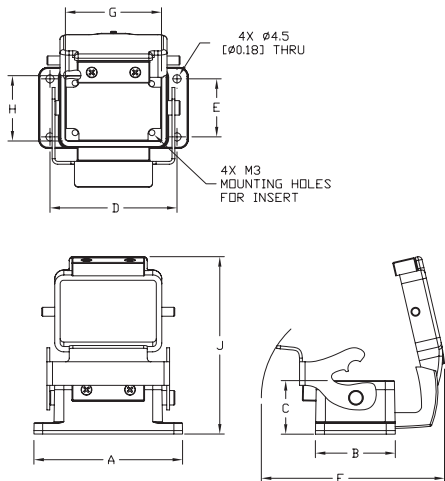
\*Dimensions G and H refer to cutout size

### Single Lever Bulkhead Base with Cover



| Single Lever Bulkhead Base With Cover |      |                 |                |                |                 |                |                 |                 |                |                 |
|---------------------------------------|------|-----------------|----------------|----------------|-----------------|----------------|-----------------|-----------------|----------------|-----------------|
| Part Number                           | Size | A               | B              | C              | D               | E              | F               | G               | H              | J               |
| <b>ZP-MC06B-2-SBHC</b>                | 6B   | 82.0<br>[3.23]  | 44.0<br>[1.73] | 29.5<br>[1.16] | 70.0<br>[2.75]  | 32.0<br>[1.26] | 101.0<br>[3.98] | 53.0<br>[2.09]  | 36.0<br>[1.42] | 88.5<br>[3.48]  |
| <b>ZP-MC10B-2-SBHC</b>                | 10B  | 95.5<br>[3.76]  | 44.0<br>[1.73] | 29.5<br>[1.16] | 83.0<br>[3.27]  | 32.0<br>[1.26] | 101.0<br>[3.98] | 66.5<br>[2.62]  | 36.0<br>[1.42] | 88.5<br>[3.48]  |
| <b>ZP-MC16B-2-SBHC</b>                | 16B  | 115.5<br>[4.55] | 44.0<br>[1.73] | 29.5<br>[1.16] | 103.0<br>[4.06] | 32.0<br>[1.26] | 101.0<br>[3.98] | 86.5<br>[3.41]  | 36.0<br>[1.42] | 88.5<br>[3.48]  |
| <b>ZP-MC24B-2-SBHC</b>                | 24B  | 142.5<br>[5.61] | 44.0<br>[1.73] | 29.5<br>[1.16] | 130.0<br>[5.12] | 32.0<br>[1.26] | 101.0<br>[3.98] | 113.0<br>[4.45] | 36.0<br>[1.42] | 88.5<br>[3.48]  |
| <b>ZP-MC32B-2-SBHC</b>                | 32B  | 124.5<br>[4.90] | 84.5<br>[3.33] | 35.5<br>[1.40] | 110.0<br>[4.33] | 65.0<br>[2.56] | 146.0<br>[5.75] | 87.5<br>[3.44]  | 76.5<br>[3.01] | 134.5<br>[5.30] |

### Single Lever Bulkhead Base with Automatic Cover



| Single Lever Bulkhead Base With Automatic Cover |      |                 |                |                |                 |                |                 |                 |                |                |
|---|------|-----------------|----------------|----------------|-----------------|----------------|-----------------|-----------------|----------------|----------------|
| Part Number                                     | Size | A               | B              | C              | D               | E              | F               | G*              | H*             | J              |
| <b>ZP-MC06B-2-SBHCA</b>                         | 6B   | 82.0<br>[3.23]  | 44.0<br>[1.73] | 29.5<br>[1.16] | 70.0<br>[2.75]  | 32.0<br>[1.26] | 101.0<br>[3.98] | 53.0<br>[2.09]  | 36.0<br>[1.42] | 97.8<br>[3.85] |
| <b>ZP-MC10B-2-SBHCA</b>                         | 10B  | 95.5<br>[3.76]  | 44.0<br>[1.73] | 29.5<br>[1.16] | 83.0<br>[3.27]  | 32.0<br>[1.26] | 101.0<br>[3.98] | 66.5<br>[2.62]  | 36.0<br>[1.42] | 97.8<br>[3.85] |
| <b>ZP-MC16B-2-SBHCA</b>                         | 16B  | 115.5<br>[4.55] | 44.0<br>[1.73] | 29.5<br>[1.16] | 103.0<br>[4.06] | 32.0<br>[1.26] | 101.0<br>[3.98] | 86.5<br>[3.41]  | 36.0<br>[1.42] | 97.8<br>[3.85] |
| <b>ZP-MC24B-2-SBHCA</b>                         | 24B  | 142.5<br>[5.61] | 44.0<br>[1.73] | 29.5<br>[1.16] | 130.0<br>[5.12] | 32.0<br>[1.26] | 101.0<br>[3.98] | 113.0<br>[4.45] | 36.0<br>[1.42] | 97.8<br>[3.85] |

\*Dimensions G and H refer to cutout size

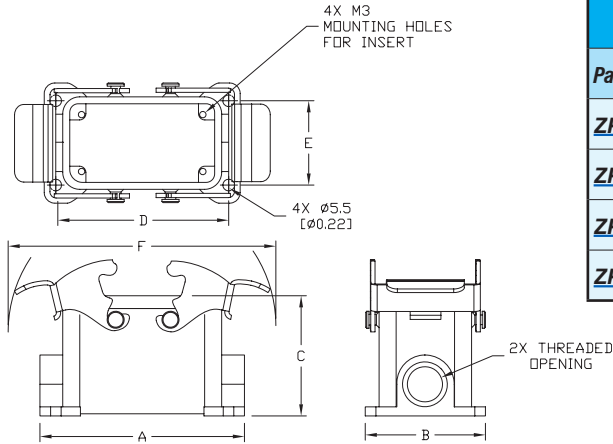


# STD Series Multi-Wire Dimensions

## Size 10B, 16B, 24B, 32B Bases

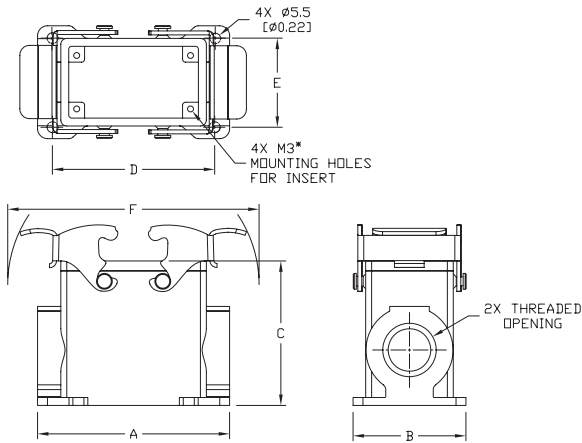
Dimensions mm [in]

### Double Lever Surface Mount Base



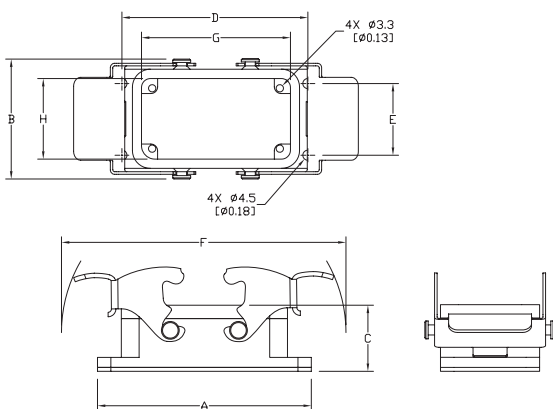
| Double Lever Surface Mount Base |      |         |                 |                |                |                 |                |                 |
|---------------------------------|------|---------|-----------------|----------------|----------------|-----------------|----------------|-----------------|
| Part Number                     | Size | Thread  | A               | B              | C              | D               | E              | F               |
| <b>ZP-MC10B-2-DSM16M</b>        | 10B  | Pg 16x2 | 97.0<br>[3.82]  | 57.0<br>[2.24] | 57.0<br>[2.24] | 82.0<br>[3.23]  | 40.0<br>[1.57] | 127.0<br>[5.00] |
| <b>ZP-MC16B-2-DSM21M</b>        | 16B  | Pg 21x2 | 117.0<br>[4.61] | 57.0<br>[2.24] | 63.0<br>[2.48] | 105.0<br>[4.13] | 45.0<br>[1.77] | 147.0<br>[5.79] |
| <b>ZP-MC24B-2-DSM21M</b>        | 24B  | Pg 21x2 | 143.5<br>[5.65] | 57.0<br>[2.24] | 63.0<br>[2.48] | 132.0<br>[5.20] | 45.0<br>[1.77] | 174.0<br>[6.85] |
| <b>ZP-MC32B-2-DSM36M</b>        | 32B  | Pg 36x2 | 125.0<br>[4.92] | 84.5<br>[3.33] | 87.5<br>[3.44] | 112.0<br>[4.41] | 67.0<br>[2.64] | 147.0<br>[5.79] |

### Double Lever High Construction Surface Mount Base



| Double Lever High Construction Surface Mount Base |      |         |                 |                |                |                 |                |                 |
|---|------|---------|-----------------|----------------|----------------|-----------------|----------------|-----------------|
| Part Number                                       | Size | Thread  | A               | B              | C              | D               | E              | F               |
| <b>ZP-MC10B-2-DSM21ML</b>                         | 10B  | Pg 21x2 | 97.0<br>[3.82]  | 57.0<br>[2.24] | 73.0<br>[2.87] | 82.0<br>[3.23]  | 45.0<br>[1.77] | 127.0<br>[5.00] |
| <b>ZP-MC10B-2-DSM29ML</b>                         |      | Pg 29x2 |                 |                |                |                 |                |                 |
| <b>ZP-MC16B-2-DSM21ML</b>                         | 16B  | Pg 21x2 | 117.0<br>[4.61] | 57.0<br>[2.24] | 77.0<br>[3.03] | 105.0<br>[4.13] | 45.0<br>[1.77] | 147.0<br>[5.79] |
| <b>ZP-MC16B-2-DSM29ML</b>                         |      | Pg 29x2 |                 |                |                |                 |                |                 |
| <b>ZP-MC24B-2-DSM21ML</b>                         | 24B  | Pg 21x2 | 143.5<br>[5.65] | 57.0<br>[2.24] | 80.0<br>[3.15] | 132.0<br>[5.20] | 45.0<br>[1.77] | 174.0<br>[6.85] |
| <b>ZP-MC24B-2-DSM29ML</b>                         |      | Pg 29x2 |                 |                |                |                 |                |                 |

### Double Lever Bulkhead Base



| Double Lever Bulkhead Base |      |                 |                |                |                 |                |                 |                 |                |
|----------------------------|------|-----------------|----------------|----------------|-----------------|----------------|-----------------|-----------------|----------------|
| Part Number                | Size | A               | B              | C              | D               | E              | F               | G*              | H*             |
| <b>ZP-MC10B-2-DBHM</b>     | 10B  | 95.5<br>[3.76]  | 53.5<br>[2.11] | 29.5<br>[1.16] | 83.0<br>[3.27]  | 32.0<br>[1.26] | 127.0<br>[5.00] | 66.5<br>[2.62]  | 36.0<br>[1.42] |
| <b>ZP-MC16B-2-DBHM</b>     | 16B  | 115.5<br>[4.55] | 53.5<br>[2.11] | 29.5<br>[1.16] | 103.0<br>[4.05] | 32.0<br>[1.26] | 147.0<br>[5.79] | 86.5<br>[3.41]  | 36.0<br>[1.42] |
| <b>ZP-MC24B-2-DBHM</b>     | 24B  | 142.5<br>[5.61] | 53.5<br>[2.11] | 29.5<br>[1.16] | 130.0<br>[5.19] | 32.0<br>[1.26] | 174.0<br>[6.85] | 113.0<br>[4.45] | 36.0<br>[1.42] |
| <b>ZP-MC32B-2-DBHM</b>     | 32B  | 124.5<br>[4.90] | 84.5<br>[3.33] | 35.5<br>[1.40] | 110.0<br>[4.33] | 65.0<br>[2.56] | 147.0<br>[5.79] | 87.5<br>[3.44]  | 76.5<br>[3.01] |

\*Dimensions G and H refer to cutout size



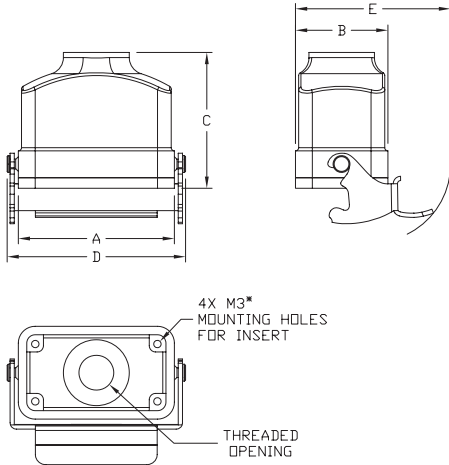


# STD Series Multi-Wire Dimensions

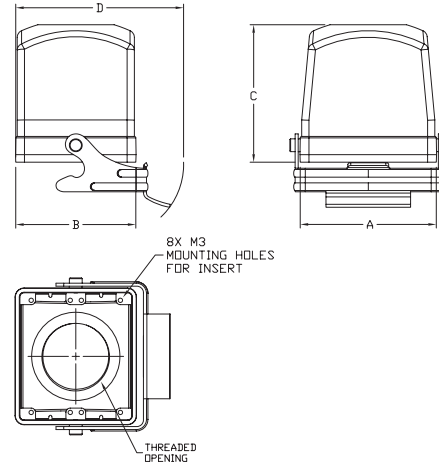
## Size 6B, 10B, 16B, 24B, 32B Couplers

Dimensions mm [in]

### Single Lever Coupler



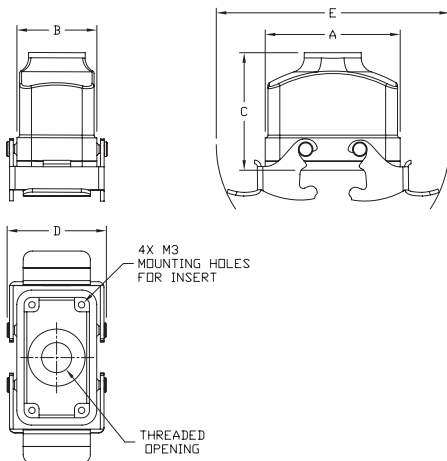
### Single Lever High Construction Coupler



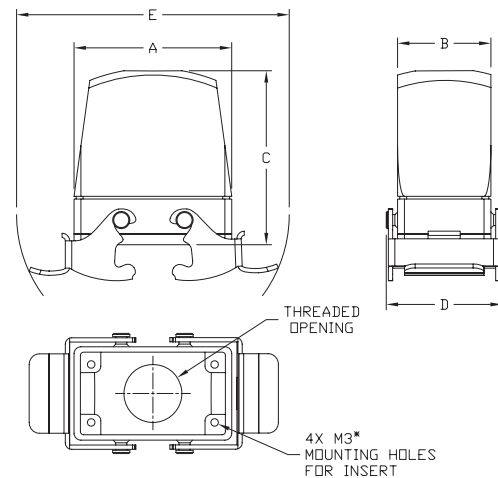
| Single Lever Coupler     |      |        |                 |                |                |                 |                |
|--------------------------|------|--------|-----------------|----------------|----------------|-----------------|----------------|
| Part Number              | Size | Thread | A               | B              | C              | D               | E              |
| <b>ZP-MC06B-2-SCP16M</b> | 6B   | Pg 16  | 60.0<br>[2.36]  | 43.5<br>[1.71] | 59.0<br>[2.32] | 70.5<br>[2.78]  | 73.0<br>[2.87] |
| <b>ZP-MC10B-2-SCP16M</b> | 10B  | Pg 16  | 73.5<br>[2.89]  | 43.5<br>[1.71] | 64.0<br>[2.52] | 84.0<br>[3.31]  | 73.0<br>[2.87] |
| <b>ZP-MC16B-2-SCP21M</b> | 16B  | Pg 21  | 94.0<br>[3.70]  | 43.5<br>[1.71] | 64.0<br>[2.52] | 104.0<br>[4.10] | 73.0<br>[2.87] |
| <b>ZP-MC24B-2-SCP24M</b> | 24B  | Pg 21  | 120.5<br>[4.74] | 43.5<br>[1.71] | 74.0<br>[2.91] | 131.0<br>[5.16] | 73.0<br>[2.87] |

| Single Lever High Construction Coupler |      |        |                |                |                |                 |                 |
|--|------|--------|----------------|----------------|----------------|-----------------|-----------------|
| Part Number                            | Size | Thread | A              | B              | C              | D               | E               |
| <b>ZP-MC32B-2-SCP36M</b>               | 32B  | Pg 36  | 94.0<br>[3.70] | 83.0<br>[3.27] | 95.0<br>[3.74] | 104.5<br>[4.11] | 116.0<br>[4.57] |

### Double Lever Coupler



### Double Lever High Construction Coupler



| Double Lever Coupler     |      |        |                 |                |                |                |                 |
|--------------------------|------|--------|-----------------|----------------|----------------|----------------|-----------------|
| Part Number              | Size | Thread | A               | B              | C              | D              | E               |
| <b>ZP-MC10B-2-DCP16M</b> | 10B  | Pg 16  | 73.5<br>[2.89]  | 43.5<br>[1.71] | 64.0<br>[2.52] | 54.0<br>[2.13] | 127.0<br>[5.00] |
| <b>ZP-MC16B-2-DCP21M</b> | 16B  | Pg 21  | 94.0<br>[3.70]  | 43.5<br>[1.71] | 64.0<br>[2.52] | 54.0<br>[2.13] | 147.0<br>[5.79] |
| <b>ZP-MC24B-2-DCP21M</b> | 24B  | Pg 21  | 120.5<br>[4.74] | 43.5<br>[1.71] | 74.0<br>[2.91] | 54.0<br>[2.13] | 174.0<br>[6.85] |

| Double Lever High Construction Coupler |      |        |                 |                |                |                |                 |
|--|------|--------|-----------------|----------------|----------------|----------------|-----------------|
| Part Number                            | Size | Thread | A               | B              | C              | D              | E               |
| <b>ZP-MC10B-2-DCP21ML</b>              | 10B  | Pg 21  | 73.5<br>[2.89]  | 43.5<br>[1.71] | 81.0<br>[3.19] | 54.0<br>[2.13] | 127.0<br>[5.00] |
| <b>ZP-MC16B-2-DCP21ML</b>              | 16B  | Pg 21  | 94.0<br>[3.70]  | 43.5<br>[1.71] | 81.0<br>[3.19] | 54.0<br>[2.13] | 147.0<br>[5.79] |
| <b>ZP-MC16B-2-DCP29ML</b>              |      | Pg 29  | 94.0<br>[3.70]  | 43.5<br>[1.71] | 81.0<br>[3.19] | 54.0<br>[2.13] | 147.0<br>[5.79] |
| <b>ZP-MC24B-2-DCP21ML</b>              | 24B  | Pg 21  | 120.5<br>[4.74] | 43.5<br>[1.71] | 81.0<br>[3.19] | 54.0<br>[2.13] | 174.0<br>[6.85] |
| <b>ZP-MC24B-2-DCP29ML</b>              |      | Pg 29  | 120.5<br>[4.74] | 43.5<br>[1.71] | 81.0<br>[3.19] | 54.0<br>[2.13] | 174.0<br>[6.85] |
| <b>ZP-MC32B-2-DCP36M</b>               | 32B  | Pg 36  | 94.0<br>[3.70]  | 83.0<br>[3.27] | 95.0<br>[3.74] | 93.5<br>[3.68] | 147.0<br>[5.79] |

\* To convert to NPT thread see the adapter in the accessories section

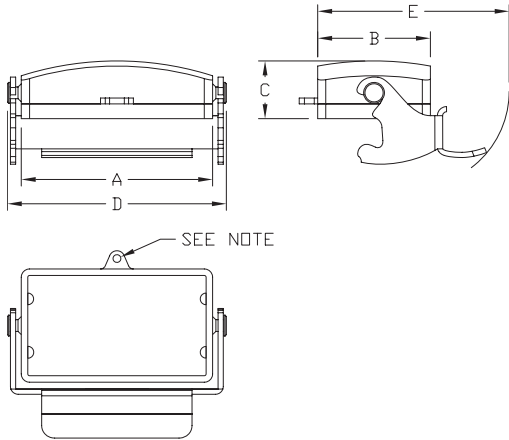


# STD Series Multi-Wire Dimensions

## Size 6B, 10B, 16B, 24B, 32B Covers

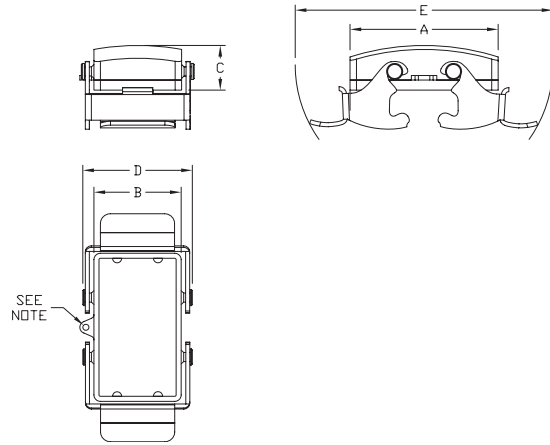
Dimensions mm [in]

### Single Lever Cover



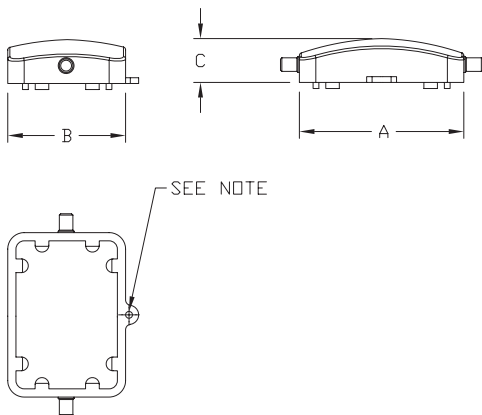
| Single Lever Cover               |      |                 |                |                |                 |                 |
|----------------------------------|------|-----------------|----------------|----------------|-----------------|-----------------|
| Part Number                      | Size | A               | B              | C              | D               | E               |
| <a href="#">ZP-MC06B-2-SCVLM</a> | 6B   | 60.0<br>[2.36]  | 43.0<br>[1.69] | 22.0<br>[0.87] | 70.5<br>[2.78]  | 73.0<br>[2.87]  |
| <a href="#">ZP-MC10B-2-SCVLM</a> | 10B  | 73.0<br>[2.88]  | 43.0<br>[1.69] | 22.0<br>[0.87] | 83.5<br>[3.29]  | 73.0<br>[2.87]  |
| <a href="#">ZP-MC16B-2-SCVLM</a> | 16B  | 94.0<br>[3.70]  | 43.0<br>[1.69] | 22.0<br>[0.87] | 104.0<br>[4.09] | 73.0<br>[2.87]  |
| <a href="#">ZP-MC24B-2-SCVLM</a> | 24B  | 120.0<br>[4.72] | 43.0<br>[1.69] | 23.0<br>[0.91] | 130.5<br>[5.14] | 73.0<br>[2.87]  |
| <a href="#">ZP-MC32B-2-SCVLM</a> | 32B  | 94.0<br>[3.70]  | 83.0<br>[3.27] | 24.0<br>[0.94] | 104.5<br>[4.11] | 116.0<br>[4.57] |

### Double Lever Cover



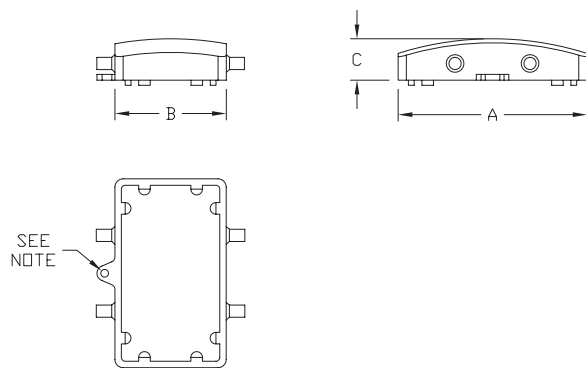
| Double Lever Cover             |      |                 |                |                |                |                 |
|--------------------------------|------|-----------------|----------------|----------------|----------------|-----------------|
| Part Number                    | Size | A               | B              | C              | D              | E               |
| <a href="#">ZP-MC10B-DCVLM</a> | 10B  | 73.0<br>[2.87]  | 43.0<br>[1.69] | 22.0<br>[0.87] | 54.0<br>[2.13] | 127.0<br>[5.00] |
| <a href="#">ZP-MC16B-DCVLM</a> | 16B  | 94.0<br>[3.70]  | 43.0<br>[1.69] | 22.0<br>[0.87] | 54.0<br>[2.13] | 147.0<br>[5.79] |
| <a href="#">ZP-MC24B-DCVLM</a> | 24B  | 120.0<br>[4.72] | 43.0<br>[1.69] | 23.0<br>[0.91] | 54.0<br>[2.13] | 174.0<br>[6.85] |
| <a href="#">ZP-MC32B-DCVLM</a> | 32B  | 94.0<br>[3.70]  | 83.0<br>[3.27] | 24.0<br>[0.94] | 93.5<br>[3.68] | 147.0<br>[5.79] |

### Two Peg Cover



| Two Peg Cover                    |      |                 |                |                |
|----------------------------------|------|-----------------|----------------|----------------|
| Part Number                      | Size | A               | B              | C              |
| <a href="#">ZP-MC06B-2-SCVPM</a> | 6B   | 60.0<br>[2.76]  | 43.0<br>[1.69] | 16.0<br>[0.63] |
| <a href="#">ZP-MC10B-2-SCVPM</a> | 10B  | 73.0<br>[2.87]  | 43.0<br>[1.69] | 16.0<br>[0.63] |
| <a href="#">ZP-MC16B-2-SCVPM</a> | 16B  | 94.0<br>[3.70]  | 43.0<br>[1.69] | 16.0<br>[0.63] |
| <a href="#">ZP-MC24B-2-SCVPM</a> | 24B  | 120.0<br>[4.72] | 43.0<br>[1.69] | 17.0<br>[0.67] |
| <a href="#">ZP-MC32B-2-SCVPM</a> | 32B  | 94.0<br>[3.70]  | 83.0<br>[3.27] | 18.0<br>[0.71] |

### Four Peg Cover



| Four Peg Cover                   |      |                 |                |                |
|----------------------------------|------|-----------------|----------------|----------------|
| Part Number                      | Size | A               | B              | C              |
| <a href="#">ZP-MC10B-2-DCVPM</a> | 10B  | 73.0<br>[2.87]  | 43.0<br>[1.69] | 16.0<br>[0.63] |
| <a href="#">ZP-MC16B-2-DCVPM</a> | 16B  | 94.0<br>[3.70]  | 43.0<br>[1.69] | 16.0<br>[0.63] |
| <a href="#">ZP-MC24B-2-DCVPM</a> | 24B  | 120.0<br>[4.72] | 43.0<br>[1.69] | 17.0<br>[0.67] |
| <a href="#">ZP-MC32B-2-DCVPM</a> | 32B  | 94.0<br>[3.70]  | 83.0<br>[3.27] | 18.0<br>[0.71] |

Note: Includes attached 112 mm [4.40 inch] nylon cord with ring terminal



# STD Series Multi-Wire Connectors

## Standards

The inserts are designed and manufactured to conform with EN 61984, (IEC 61984), VDE 0627 and UL 1977/CSA C22.2 182.3 standards. They are certified and labeled with the cULus and CE marks. The connectors are therefore in conformance with both European/International and American systems. This permits them to be used in a wider range of applications worldwide.

- EN 61984 Connectors safety requirements and tests
- VDE 0627 Connectors (DIN VDE 0627)
- EN 60664-1 Insulation coordination for equipment within low-voltage systems
- EN 175 301-801 High density rectangular connectors, round removable crimp contacts
- EN 60947-7-1 part 7-1 Low-voltage switchgear and control gear, Ancillary equipment - Terminal blocks for copper conductors
- VDE 0110 Table 4 concerning clearance and creepage distances
- EN 60512 Connectors for electronic equipment, tests and measurements
- UL 1977 Component connectors for use in data, signal, control and power applications
- CSA.C22.2 No. 182.3 Special use attachment, plugs, receptacles and connectors
- EN 60529 Degree of protection provided by enclosures (IP degree)
- EN 50262 Metric cable glands for electrical installation
- EN 60423 Conduits for electrical purposes. Outside diameters of conduits for electrical installations and thread for conduits and fittings
- ISO 23570-2 Industrial automation system and integration. Distributed installation in industrial applications. Part 2: Hybrid communication bus.
- ISO 23570-3 Industrial automation system and integration. Distributed installation in industrial applications Part 3: Power distribution bus.
- DESINA® specifications Specification to standardize electrical, hydraulic and pneumatic components and their interconnection on a common platform for CNC controlled machine tools and manufacturing lines.

*(Distributed and Standardized Installation Technology), Studied by German Manufacturers of Machine Tool Association.*

## Directives and Declarations

NEMA-250 Declaration of Conformity

Metal and plastic enclosures for Multipole Industrial Connectors (Heavy Duty Connectors). Series STD, STD-HV, HE, HE-HV all sizes. Are designed and manufactured in conformity with NEMA 250-1991 Standard and meet the requirements of NEMA Type 4, 4x and 12.

2006/95/EC: LVD Directive

Directive 2006/95/EC of the European Parliament and of the council of 12 December 2006 on the harmonization of the laws of Members States relating to electrical equipment designed for use within certain voltage limits.

2002/95/EC: RoHS Directive

Directive 2002/95/EC of the European Parliament and of the Council of 27 January 2003 on the restriction of the use of certain hazardous substances in electrical and electronic equipment.

2008/35/EC: RoHS Directive amendment

Directive 2008/35/EC of the European Parliament and of the Council of 11 March 2008 amending Directive 2002/95/EC of the use of certain hazardous substances in electrical and electronic equipment (RoHS) as regards the implementing powers conferred on the Commission.

2004/108/EC EMC Directive

EMC, Electromagnetic Compatibility Directive.

In accordance with the European Directive that regulates the emission and the immunity of the equipment, for the products designed for EMC industrial applications.

Regulation (EC) No 1907/2006 of the European Parliament and of the Council of 18 December 2006 concerning the Registration Evaluation, Authorization and Restriction of Chemicals (REACH), establishing a European Chemicals Agency, amending Directive 1999/45/EC and repealing Council Regulation (EEC) No 793/93 and Commission Regulation (EC) No 1488/94 as well as Council Directive 76/769/EEC and Commission Directives 91/155/EEC, 93/67/EEC, 93/105/EEC and 2000/21/EC.

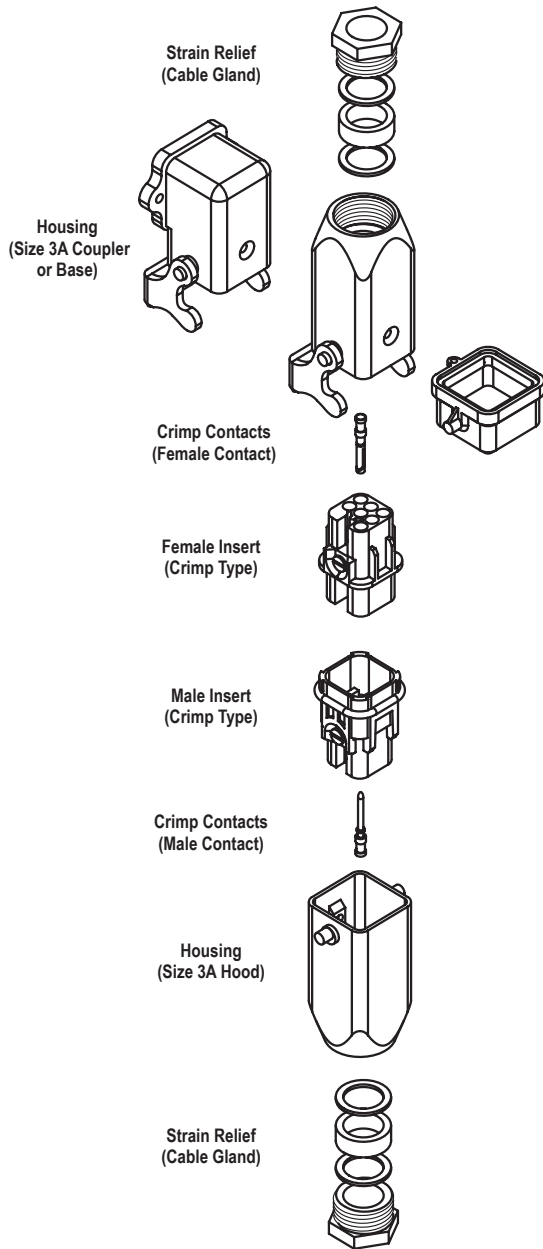


**WARNING - ACCORDING TO EN 61984, CONNECTORS SHOULD NOT BE COUPLED AND DECOUPLED UNDER ELECTRICAL LOAD.**

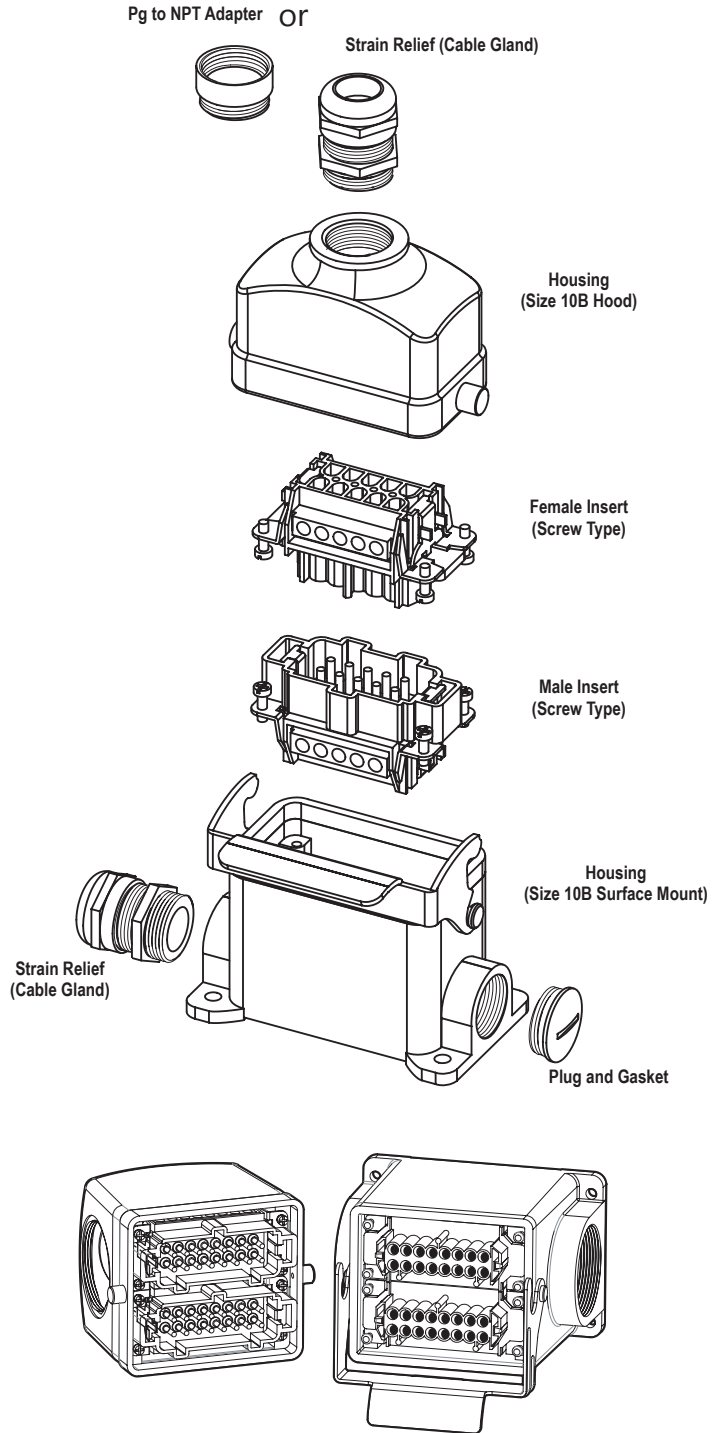


Type 1/4/4x/12

## Crimp Contact Basic Assembly



## Screw Terminal Basic Assembly





# STD Series Multi-Wire Connectors Spare Parts and Accessories

## Crimp Contacts - 10 and 16 Amp

Crimp contacts are made of hard silver-plated or gold-plated copper alloy. Wires to be connected must be carefully matched with the correct wire size of crimp contacts. Crimp contacts should be installed using a crimping tool. For applications with voltages and currents lower than 5V and 5mA gold plated contacts are recommended.

| 10 Amp Crimp Contacts - 100/Pack |                                   |       |              |                                   |       |              |                                  |                  |
|----------------------------------|-----------------------------------|-------|--------------|-----------------------------------|-------|--------------|----------------------------------|------------------|
|                                  | Male                              | Price | Weight (lb.) | Female                            | Price | Weight (lb.) | Wire Gauge mm <sup>2</sup> [AWG] | Stripping Length |
| Silver-Plated                    | <a href="#">ZP-MC-CC-M10A-22</a>  |       | 0.150        | <a href="#">ZP-MC-CC-F10A-22</a>  |       | 0.150        | 0.14-0.37 [26-22]                | 8 mm [0.32 in]   |
|                                  | <a href="#">ZP-MC-CC-M10A-20</a>  |       | 0.150        | <a href="#">ZP-MC-CC-F10A-20</a>  |       | 0.140        | 0.5 [20]                         |                  |
|                                  | <a href="#">ZP-MC-CC-M10A-18</a>  |       | 0.150        | <a href="#">ZP-MC-CC-F10A-18</a>  |       | 0.150        | 0.75 [18]                        |                  |
|                                  | <a href="#">ZP-MC-CC-M10A-16</a>  |       | 0.150        | <a href="#">ZP-MC-CC-F10A-16</a>  |       | 0.140        | 1.5 [16]                         |                  |
|                                  | <a href="#">ZP-MC-CC-M10A-14</a>  |       | 0.140        | <a href="#">ZP-MC-CC-F10A-14</a>  |       | 0.150        | 2.5 [14]                         |                  |
| Gold-Plated                      | <a href="#">ZP-MC-CC-M10A-22G</a> |       | 0.157        | <a href="#">ZP-MC-CC-F10A-22G</a> |       | 0.159        | 0.14-0.37 [26-22]                |                  |
|                                  | <a href="#">ZP-MC-CC-M10A-20G</a> |       | 0.150        | <a href="#">ZP-MC-CC-F10A-20G</a> |       | 0.157        | 0.5 [20]                         |                  |
|                                  | <a href="#">ZP-MC-CC-M10A-18G</a> |       | 0.146        | <a href="#">ZP-MC-CC-F10A-18G</a> |       | 0.150        | 0.75 [18]                        |                  |
|                                  | <a href="#">ZP-MC-CC-M10A-16G</a> |       | 0.146        | <a href="#">ZP-MC-CC-F10A-16G</a> |       | 0.150        | 1.5 [16]                         |                  |
|                                  | <a href="#">ZP-MC-CC-M10A-14G</a> |       | 0.146        | <a href="#">ZP-MC-CC-F10A-14G</a> |       | 0.152        | 2.5 [14]                         |                  |



Male Crimp Contact



Female Crimp Contact



Male Crimp Contact



Female Crimp Contact

| 16 Amp Crimp Contacts - 100/Pack |                                   |       |              |                                   |       |              |                                  |                  |
|----------------------------------|-----------------------------------|-------|--------------|-----------------------------------|-------|--------------|----------------------------------|------------------|
|                                  | Male                              | Price | Weight (lb.) | Female                            | Price | Weight (lb.) | Wire Gauge mm <sup>2</sup> [AWG] | Stripping Length |
| Silver-Plated                    | <a href="#">ZP-MC-CC-M16A-22</a>  |       | 0.280        | <a href="#">ZP-MC-CC-F16A-22</a>  |       | 0.280        | 0.14-0.37 [26-22]                | 7.5 mm [0.29 in] |
|                                  | <a href="#">ZP-MC-CC-M16A-20</a>  |       | 0.360        | <a href="#">ZP-MC-CC-F16A-20</a>  |       | 0.350        | 0.5 [20]                         |                  |
|                                  | <a href="#">ZP-MC-CC-M16A-18</a>  |       | 0.270        | <a href="#">ZP-MC-CC-F16A-18</a>  |       | 0.290        | 0.75 [18]                        |                  |
|                                  | <a href="#">ZP-MC-CC-M16A-16</a>  |       | 0.350        | <a href="#">ZP-MC-CC-F16A-16</a>  |       | 0.350        | 1.5 [16]                         |                  |
|                                  | <a href="#">ZP-MC-CC-M16A-14</a>  |       | 0.270        | <a href="#">ZP-MC-CC-F16A-14</a>  |       | 0.280        | 2.5 [14]                         |                  |
|                                  | <a href="#">ZP-MC-CC-M16A-12</a>  |       | 0.350        | <a href="#">ZP-MC-CC-F16A-12</a>  |       | 0.350        | 4.0 [12]                         |                  |
| Gold-Plated                      | <a href="#">ZP-MC-CC-M16A-22G</a> |       | 0.280        | <a href="#">ZP-MC-CC-F16A-22G</a> |       | 0.322        | 0.14-0.37 [26-22]                |                  |
|                                  | <a href="#">ZP-MC-CC-M16A-20G</a> |       | 0.276        | <a href="#">ZP-MC-CC-F16A-20G</a> |       | 0.318        | 0.5 [20]                         |                  |
|                                  | <a href="#">ZP-MC-CC-M16A-18G</a> |       | 0.273        | <a href="#">ZP-MC-CC-F16A-18G</a> |       | 0.315        | 0.75 [18]                        |                  |
|                                  | <a href="#">ZP-MC-CC-M16A-16G</a> |       | 0.273        | <a href="#">ZP-MC-CC-F16A-16G</a> |       | 0.320        | 1.5 [16]                         |                  |
|                                  | <a href="#">ZP-MC-CC-M16A-14G</a> |       | 0.276        | <a href="#">ZP-MC-CC-F16A-14G</a> |       | 0.320        | 2.5 [14]                         |                  |
|                                  | <a href="#">ZP-MC-CC-M16A-12G</a> |       | 0.273        | <a href="#">ZP-MC-CC-F16A-12G</a> |       | 0.329        | 4.0 [12]                         |                  |

Note: The crimp contact ampacities listed above are the Maximum current ratings for the crimp contacts only. The current rating DOES NOT reflect the wire gauge current rating.

| Crimp Contact Tools       |       |      |  |              |
|---------------------------|-------|------|--|--------------|
| Part Number               | Price | Qty. | Description                              | Weight (lb.) |
| <a href="#">ZP-MC-CT1</a> |       | 1    | Crimping tool w/die set and locator      | 1.593        |
| <a href="#">ZP-MC-CT2</a> |       |      | Crimping tool w/die set only, no locator | 0.814        |
| <a href="#">ZP-MC-RT1</a> |       |      | Removal tool for 10A contacts            | 0.081        |
| <a href="#">ZP-MC-RT2</a> |       |      | Removal tool for 16A contacts            | 0.086        |



ZP-MC-CT1



ZP-MC-CT2



ZP-MC-RT1



ZP-MC-RT2



# STD Series Multi-Wire Connectors Spare Parts and Accessories

## Cable Glands

### IP66 Glands

#### Plastic

- Thread: 1.5 mm pitch in accordance with EN 50262, Pg in accordance with DIN 40430
- IP Protection: IP66 in accordance with EN 60529
- Working Temperature: -40°C to 125°C (-40°F to 257°F)
- Materials: Body - Glass filled polyamide UL 94 V0; Washer - zinc plated steel; Gasket - Elastomer
- Includes two washers and four gaskets to accommodate a wide range of cable diameters
- Applications: for size 3A plastic type housings

#### Metal

- Thread: 1.5 mm pitch in accordance with EN 50262, Pg in accordance with DIN 40430
- IP Protection: IP66 in accordance with EN 60529
- Working Temperature: -40°C to 125°C (-40°F to 257°F)
- Materials: Body - nickel-plated brass; Washer - zinc plated steel; Gasket - Elastomer
- Includes two washers and four gaskets to accommodate a wide range of cable diameters
- Applications: for all sizes metal type housings

### IP68 Glands

#### Metal

- Thread: 1.5 mm pitch in accordance with EN 50262, Pg in accordance with DIN 40430
- IP Protection: IP68, patented design for up to 5 bars
- Working Temperature: -40°C to 125°C (-40°F to 257°F)
- Materials: Body - nickel-plated brass; Strain relief - Glass filled polyamide UL 94 V0; Gasket - Elastomer
- Applications: for industrial connector housings where higher protection and strength are required

| IP66 Cable Glands             |       |      |         |                         |         |              |
|-------------------------------|-------|------|---------|-------------------------|---------|--------------|
| Part Number                   | Price | Qty. | Type    | Cable Diameter mm [in]  | Thread  | Weight (lb.) |
| <a href="#">ZP-MC-CG-11P5</a> |       | 1    | Plastic | 7-12 [0.275-0.472]      | Pg 11   | 0.019        |
| <a href="#">ZP-MC-CG-11M5</a> |       |      |         | 7-12 [0.275-0.472]      | Pg 11   | 0.030        |
| <a href="#">ZP-MC-CG-13M5</a> |       |      | Metal   | 7-12 [0.275-0.472]      | Pg 13.5 | 0.031        |
| <a href="#">ZP-MC-CG-16M5</a> |       |      |         | 7-14.5 [0.275-0.570]    | Pg 16   | 0.041        |
| <a href="#">ZP-MC-CG-21M5</a> |       |      |         | 9.5-18.5 [0.374-0.728]  | Pg 21   | 0.070        |
| <a href="#">ZP-MC-CG-29M5</a> |       |      |         | 17.5-26.5 [0.688-1.043] | Pg 29   | 0.125        |
| <a href="#">ZP-MC-CG-36M5</a> |       |      |         | 23.5-32.5 [0.925-1.279] | Pg 36   | 0.249        |

Note: IP66 cable glands with washers CANNOT be used with HC (High Construction) top or side entry housings.  
You must use the IP68 cable glands. IP66 glands can be used with surface mount HC (High Construction) housings



IP66 Cable Glands - Plastic



IP66 Cable Glands - Metal



IP68 Cable Glands

| IP68 Cable Glands             |       |             |       |         |                     |              |
|-------------------------------|-------|-------------|-------|---------|---------------------|--------------|
| Part Number                   | Price | Qty.        | Type  | Thread  | Diameter mm [in]    | Weight (lb.) |
| <a href="#">ZP-MC-CG-11M8</a> |       | 10 per pack | Metal | Pg 11   | 4-10 [0.157-0.393]  | 0.451        |
| <a href="#">ZP-MC-CG-13M8</a> |       |             |       | Pg 13.5 | 5-12 [0.197-0.472]  | 0.780        |
| <a href="#">ZP-MC-CG-16M8</a> |       |             |       | Pg 16   | 8-14 [0.314-0.551]  | 0.881        |
| <a href="#">ZP-MC-CG-21M8</a> |       | 5 per pack  |       | Pg 21   | 11-18 [0.433-0.708] | 0.727        |
| <a href="#">ZP-MC-CG-29M8</a> |       |             |       | Pg 29   | 16-25 [0.629-0.984] | 1.466        |
| <a href="#">ZP-MC-CG-36M8</a> |       |             |       | Pg 36   | 19-36 [0.748-1.417] | 2.205        |



# STD Series Multi-Wire Connectors Spare Parts and Accessories

## Blanking Plugs with Gasket

- Thread: 1.5 mm pitch in accordance with EN 50262, Pg in accordance with DIN 40430
- IP Protection: IP68 in accordance with EN 60529
- Working Temperature: -40°C to 125°C (-40°F to 257°F)
- Materials: Body - nickel-plated brass; Gasket - Elastomer
- Applications: for blanking threaded holes on housings or other enclosures

| Blanking Plugs With Gasket     |       |             |       |         |              |
|--------------------------------|-------|-------------|-------|---------|--------------|
| Part Number                    | Price | Qty.        | Type  | Thread  | Weight (lb.) |
| <a href="#">ZP-MC-PLG-11M8</a> |       | 10 per pack | Metal | Pg 11   | 0.169        |
| <a href="#">ZP-MC-PLG-13M8</a> |       |             |       | Pg 13.5 | 0.192        |
| <a href="#">ZP-MC-PLG-16M8</a> |       |             |       | Pg 16   | 0.253        |
| <a href="#">ZP-MC-PLG-21M8</a> |       |             |       | Pg 21   | 0.478        |
| <a href="#">ZP-MC-PLG-29M8</a> |       | 5 per pack  |       | Pg 29   | 0.218        |
| <a href="#">ZP-MC-PLG-36M8</a> |       |             |       | Pg 36   | 0.706        |



Blanking Plugs With Gasket

## Pg to NPT Adapters

Thread: Metric 1.5 mm pitch Pg in accordance with DIN 40430, NPT in accordance with USAS B2-1

- IP Protection: dependant on coupling and other components
- Working Temperature: -60°C to 200°C (-76°F to 392°F)
- Materials: nickel-plated brass
- Applications: for converting a Pg thread to an NPT thread

| Pg to NPT Adapters            |       |      |       |           |            |              |
|-------------------------------|-------|------|-------|-----------|------------|--------------|
| Part Number                   | Price | Qty. | Type  | Pg Thread | NPT Thread | Weight (lb.) |
| <a href="#">ZP-MC-A-11038</a> |       | 1    | Metal | Pg 11     | 3/8"       | 0.044        |
| <a href="#">ZP-MC-A-11012</a> |       |      |       | Pg 11     | 1/2"       | 0.072        |
| <a href="#">ZP-MC-A-13012</a> |       |      |       | Pg 13.5   | 1/2"       | 0.106        |
| <a href="#">ZP-MC-A-16012</a> |       |      |       | Pg 16     | 1/2"       | 0.070        |
| <a href="#">ZP-MC-A-21034</a> |       |      |       | Pg 21     | 3/4"       | 0.101        |
| <a href="#">ZP-MC-A-29100</a> |       |      |       | Pg 29     | 1"         | 0.194        |
| <a href="#">ZP-MC-A-29114</a> |       |      |       | Pg 29     | 1 1/4"     | 0.238        |
| <a href="#">ZP-MC-A-36114</a> |       |      |       | Pg 36     | 1 1/4"     | 0.201        |



Pg to NPT Adapters

## Replacement Gaskets

| Replacement Gaskets          |       |             |      |                       |                                |              |
|------------------------------|-------|-------------|------|-----------------------|--------------------------------|--------------|
| Part Number                  | Price | Qty.        | Size | Type                  | Material                       | Weight (lb.) |
| <a href="#">ZP-MC03A-GSK</a> |       | 10 per pack | 3A   | For bulkhead housings | Nitrile Butadiene Rubber (NBR) | 0.085        |
| <a href="#">ZP-MC10A-GSK</a> |       |             | 10A  |                       |                                | 0.082        |
| <a href="#">ZP-MC16A-GSK</a> |       |             | 16A  |                       |                                | 0.079        |
| <a href="#">ZP-MC06B-GSK</a> |       |             | 6B   |                       |                                | 0.097        |
| <a href="#">ZP-MC10B-GSK</a> |       |             | 10B  |                       |                                | 0.105        |
| <a href="#">ZP-MC16B-GSK</a> |       |             | 16B  |                       |                                | 0.127        |
| <a href="#">ZP-MC24B-GSK</a> |       |             | 24B  |                       |                                | 0.141        |
| <a href="#">ZP-MC32B-GSK</a> |       |             | 32B  |                       |                                | 0.229        |



Replacement Gaskets



# STD Series Multi-Wire Connectors Spare Parts and Accessories

## Insert Plates with Cutouts

| Insert Plates with Cutouts       |       |      |   |              |
|----------------------------------|-------|------|---|--------------|
| Part Number                      | Price | Qty. | Description   | Weight (lb.) |
| <a href="#">ZP-MC6B-2-1XDB9</a>  |       | 1    | ZIPport insert plate, (1) 9-pin D-sub connector cutout(s), thermoplastic, RAL 7044 gray. For use with ZIPport size 6B connector housing.  | 0.0176       |
| <a href="#">ZP-MC6B-2-2XDB9</a>  |       |      | ZIPport insert plate, (2) 9-pin D-sub connector cutout(s), thermoplastic, RAL 7044 gray. For use with ZIPport size 6B connector housing.  | 0.0154       |
| <a href="#">ZP-MC6B-2-1XDB15</a> |       |      | ZIPport insert plate, (1) 15-pin D-sub connector cutout(s), thermoplastic, RAL 7044 gray. For use with ZIPport size 6B connector housing. | 0.0176       |
| <a href="#">ZP-MC6B-2-2XDB15</a> |       |      | ZIPport insert plate, (2) 15-pin D-sub connector cutout(s), thermoplastic, RAL 7044 gray. For use with ZIPport size 6B connector housing. | 0.0154       |

Note: machine screw M3-0.5x16 hardware not included



Insert Plates with Cutouts

## Bulkhead Cutout Reducing Plates

| Bulkhead Cutout Reducing Plates  |       |      |  |              |
|----------------------------------|-------|------|--|--------------|
| Part Number                      | Price | Qty. | Description  | Weight (lb.) |
| <a href="#">ZP-MC24B-2-RD6B</a>  |       | 1    | ZIPport bulkhead cutout reducing plate, thermoplastic, RAL 7044 gray. For use with ZIPport size 24B bulkhead cutouts. Gasket included. Reduces cutout to ZIPport size 6B.  | 0.0838       |
| <a href="#">ZP-MC24B-2-RD10B</a> |       |      | ZIPport bulkhead cutout reducing plate, thermoplastic, RAL 7044 gray. For use with ZIPport size 24B bulkhead cutouts. Gasket included. Reduces cutout to ZIPport size 10B. | 0.0816       |
| <a href="#">ZP-MC24B-2-RD16B</a> |       |      | ZIPport bulkhead cutout reducing plate, thermoplastic, RAL 7044 gray. For use with ZIPport size 24B bulkhead cutouts. Gasket included. Reduces cutout to ZIPport size 16B. | 0.0772       |



Bulkhead Cutout Reducing Plates

## Bulkhead Cutout Blank Covers

| Bulkhead Cutout Blank Covers     |       |      |   |              |
|----------------------------------|-------|------|---|--------------|
| Part Number                      | Price | Qty. | Description   | Weight (lb.) |
| <a href="#">ZP-MC6B-2-BLANK</a>  |       | 1    | ZIPport bulkhead cutout blank cover plate, thermoplastic, RAL 7044 gray. For use with ZIPport size 6B bulkhead cutouts. Gasket included.  | 0.4343       |
| <a href="#">ZP-MC10B-2-BLANK</a> |       |      | ZIPport bulkhead cutout blank cover plate, thermoplastic, RAL 7044 gray. For use with ZIPport size 10B bulkhead cutouts. Gasket included. | 0.0463       |
| <a href="#">ZP-MC16B-2-BLANK</a> |       |      | ZIPport bulkhead cutout blank cover plate, thermoplastic, RAL 7044 gray. For use with ZIPport size 16B bulkhead cutouts. Gasket included. | 0.0529       |
| <a href="#">ZP-MC24B-2-BLANK</a> |       |      | ZIPport bulkhead cutout blank cover plate, thermoplastic, RAL 7044 gray. For use with ZIPport size 24B bulkhead cutouts. Gasket included. | 0.0573       |



Bulkhead Cutout Blank Covers

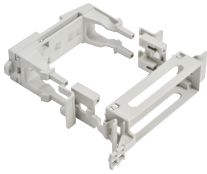




# STD Series Multi-Wire Connectors Spare Parts and Accessories

## DIN Rail Mounting Kits

- For mounting inserts inside an enclosure
- Fits 35 mm DIN rail



DIN Rail  
Mounting Kits



ZP-MC-RT3

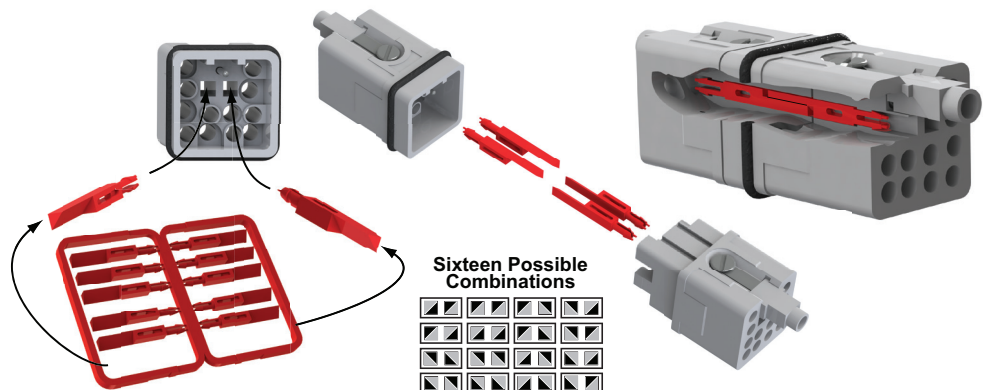
| DIN Rail Mounting Kits               |       |      |                      |              |
|--------------------------------------|-------|------|----------------------|--------------|
| Part Number                          | Price | Qty. | Description          | Weight (lb.) |
| <a href="#"><u>ZP-MC06B-DKIT</u></a> |       | 1    | For size 6B inserts  | 0.374        |
| <a href="#"><u>ZP-MC10B-DKIT</u></a> |       |      | For size 10B inserts | 0.377        |
| <a href="#"><u>ZP-MC16B-DKIT</u></a> |       |      | For size 16B inserts | 0.385        |
| <a href="#"><u>ZP-MC24B-DKIT</u></a> |       |      | For size 24B inserts | 0.392        |
| <a href="#"><u>ZP-MC-RT3</u></a>     |       |      | Insert removal tool  | 0.052        |

## Replacement Screws/Polarization Key

| Replacement Screws / Polarization Key |       |                       |  |              |
|---------------------------------------|-------|-----------------------|--|--------------|
| Part Number                           | Price | Qty.                  | Description  | Weight (lb.) |
| <a href="#"><u>ZP-MC-SCRWKIT</u></a>  |       | 2 pieces of each part | M3.5 - PE screw for size 3A inserts  | 0.048        |
|                                       |       |                       | M4 - PE screw for size 6B insert, size 10B insert, size 16B insert (16+PE) and size 24B insert (24+PE) |              |
|                                       |       |                       | M4 - PE screw for size 16B insert (6+PE) and size 24B insert (8+4+PE)                                  |              |
|                                       |       |                       | M3 - Installation screw for 3A inserts only  |              |
|                                       |       |                       | M3 - Installation screw for all inserts except 3A  |              |
| <a href="#"><u>ZP-MC-POLKEY-1</u></a> |       | 12                    | Polarization key for size 3A 12-pin inserts. Two keys are required per coupled connection.             | 0.011        |



Polarization  
Key



Using the Polarization Key



# STD Series Multi-Wire Connectors Spare Parts and Accessories

| Code Pins                       |       |             |   |        |              |
|---------------------------------|-------|-------------|---|--------|--------------|
| Part Number                     | Price | Qty.        | Description                             | Figure | Weight (lb.) |
| <a href="#">ZP-MC-CODEPIN-2</a> |       | 16 per pack | Single code pin                         | 1      | 0.009        |
| <a href="#">ZP-MC-CODEPIN-3</a> |       | 16 per pack | Male code pin (use w/ZP-MC-CODEPIN-4)   | 2      | 0.064        |
| <a href="#">ZP-MC-CODEPIN-4</a> |       | 16 per pack | Female code pin (use w/ZP-MC-CODEPIN-3) | 3      | 0.101        |

\* Code pins are used in applications where there are identical connectors that could be coupled with the incorrect mate, potentially causing equipment damage or breakdown. Code pins replace the installation screws on the inserts. Code pins do NOT work with 3A inserts or 32x13 inserts. The following combinations of code pins allow for a selective number of couples. Material is zinc-plated steel.

## Coding Pin Configurations

### Single Code Pin

The ZP-MC-CODEPIN-2 is designed to be used as a single stand-alone code pin using the following configurations.



Figure 1

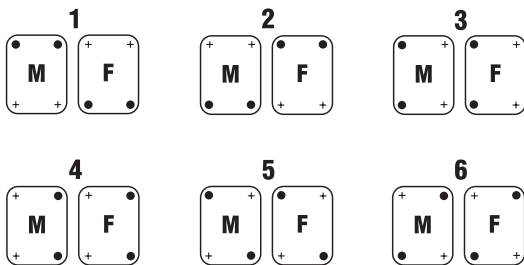


Figure 2



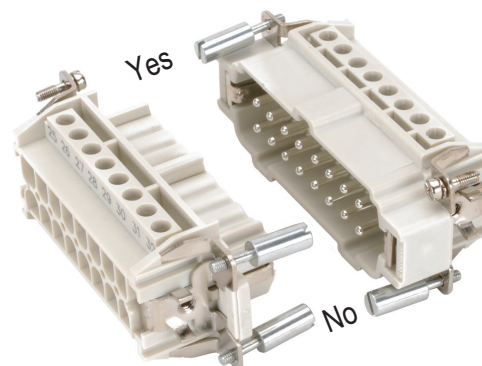
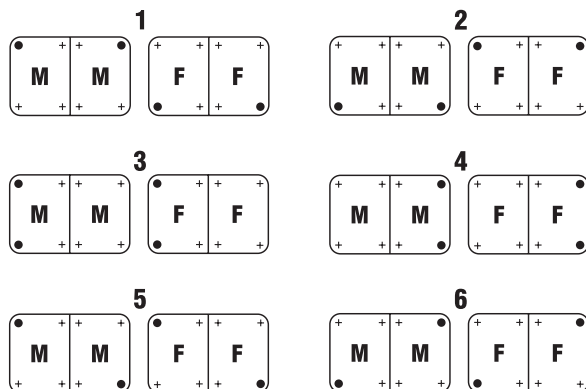
Figure 3

### Application with single insert



- Code pin ZP-MC-CODEPIN-2
- + Normal fixing screw
- M** Male insert
- F** Female insert

### Application with double insert



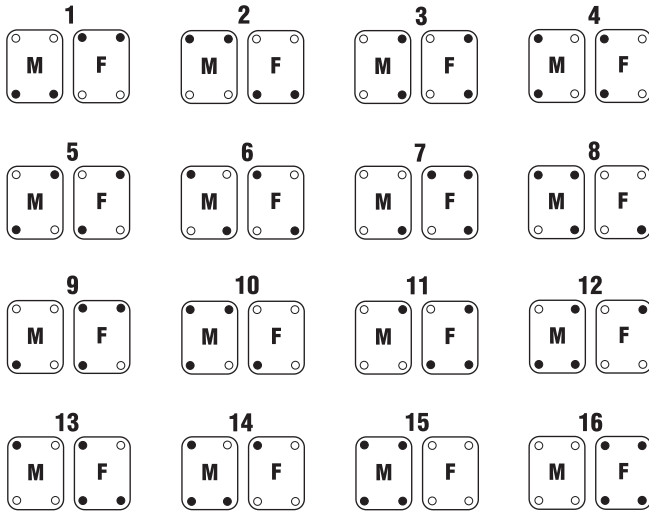
# STD Series Multi-Wire Connectors Spare Parts and Accessories

## Coding Pin Configurations

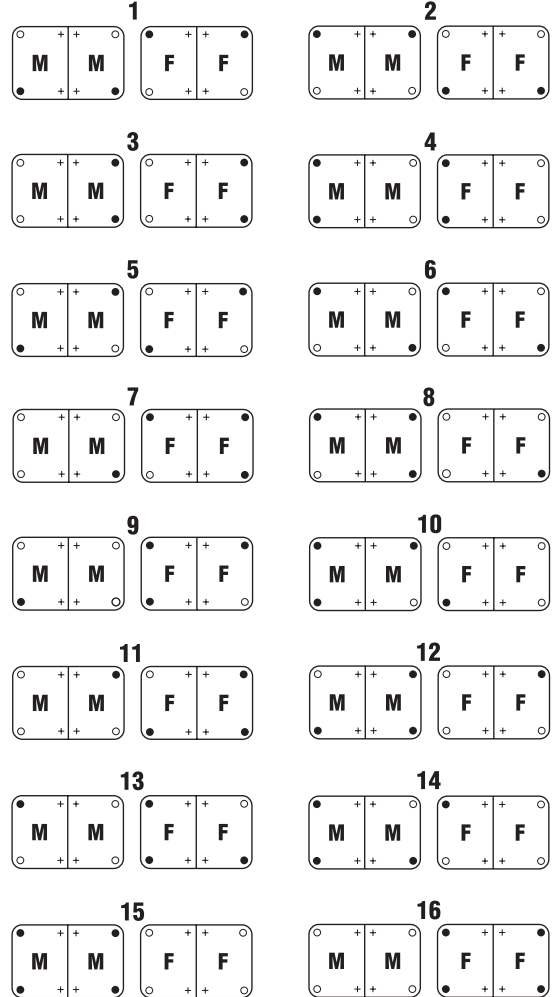
### Male / Female Code Pins

The ZP-MC-CODEPIN-3 and the ZP-MC-CODEPIN-4 are designed to be used together using the following configurations.

#### Application with single insert



#### Application with double insert



- Male code pin ZP-MC-CODEPIN-3
- Female code pin ZP-MC-CODEPIN-4
- ⊕ Normal fixing screw
- M** Male insert
- F** Female insert

