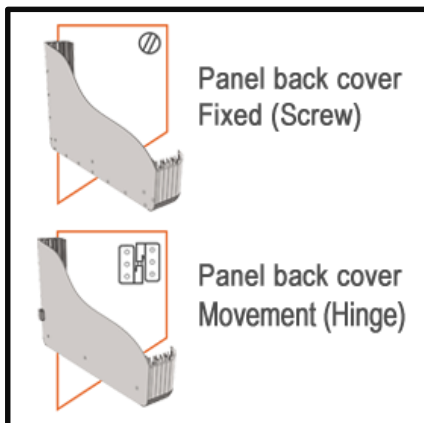




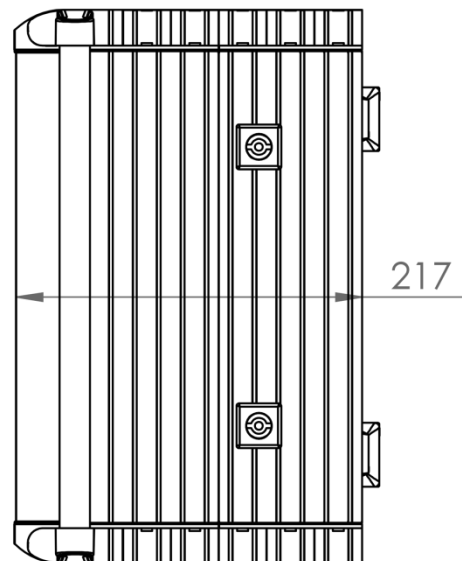
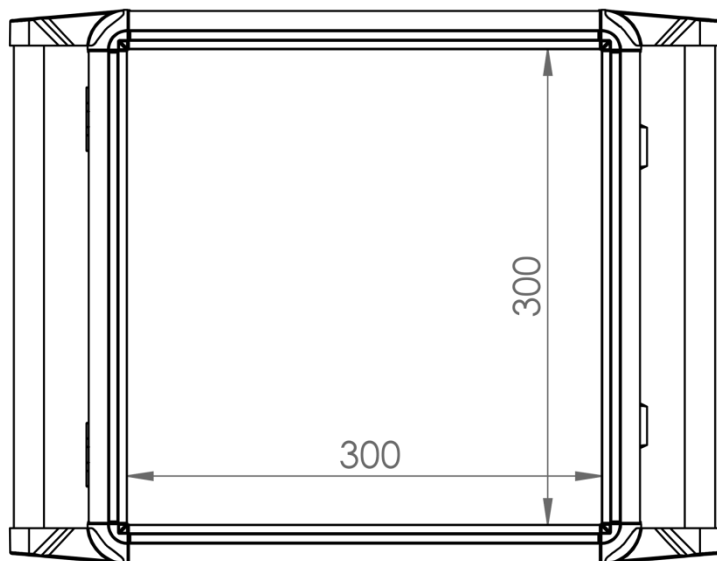
ISO9001 CE cUL US LISTED

ECO.1290.0200

Panel Systems



Weight (gr)	-
Color / Ral Code	Aluminium Anodized
Package	1
Package Dimension (mm)	440x380x240
Material	Aluminium



Installation Area			Back Area		Installation Depth		Support Arm No. TK		Order No
Weight mm	Height mm	Depth mm	Hinge	Screw	H Profile installation platform	Installation Deep mm	130 mm Ø	118 x 65.5 mm	
300	300	210	Yes	-	Yes	187	-	Yes	1290-0204
300	300	210	-	Yes	-	210	-	Yes	1290-0205
300	400	210	Yes	-	Yes	187	-	Yes	1290-0206
300	400	210	-	Yes	-	210	-	Yes	1290-0207
400	400	210	Yes	-	Yes	187	-	Yes	1290-0208
400	400	210	-	Yes	-	210	-	Yes	1290-0209
400	500	210	Yes	-	Yes	187	-	Yes	1290-0210
400	500	210	-	Yes	-	210	-	Yes	1290-0211
500	500	210	Yes	-	Yes	187	-	Yes	1290-0212
500	500	210	-	Yes	-	210	-	Yes	1290-0213
500	600	210	Yes	-	Yes	187	-	Yes	1290-0214
500	600	210	-	Yes	-	210	-	Yes	1290-0215
600	600	210	Yes	-	Yes	187	-	Yes	1290-0216
600	600	210	-	Yes	-	210	-	Yes	1290-0217