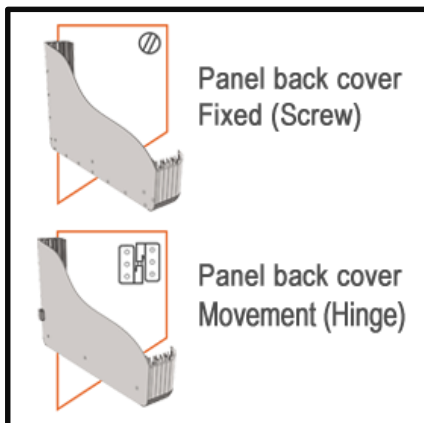




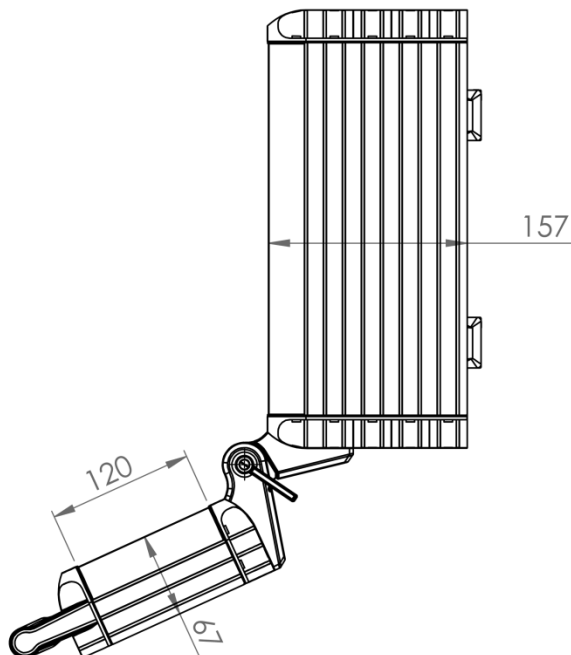
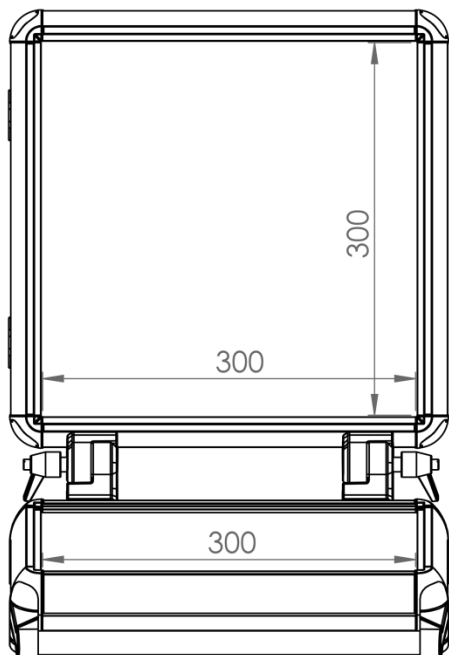
ISO9001  


# ECO.1500.1200

## Panel Systems



Weight (gr)	-
Color / Ral Code	Aluminium Anodized
Package	1
Package Dimension (mm)	440x380x200
Material	Aluminium



Installation Area			Back Area		Installation Depth		Keyboard			Support Arm No. TK		Order No
Weight mm	Height mm	Depth mm	Hinge	Screw	H Profile installation platform	Installation Deep mm	Weight mm	Height mm	Depth mm	130 mm $\varnothing$	118 x 65.5 mm 	
300	300	150	Yes	-	Yes	127	300	300	120	Yes	-	1500-1204
300	300	150	-	Yes	-	150	300	300	120	Yes	-	1500-1205
300	400	150	Yes	-	Yes	127	300	300	120	Yes	-	1500-1206
300	400	150	-	Yes	-	150	300	300	120	Yes	-	1500-1207
400	400	150	Yes	-	Yes	127	400	300	120	Yes	-	1500-1208
400	400	150	-	Yes	-	150	400	300	120	Yes	-	1500-1209
400	500	150	Yes	-	Yes	127	400	300	120	Yes	-	1500-1210
400	500	150	-	Yes	-	150	400	300	120	Yes	-	1500-1211
500	500	150	Yes	-	Yes	127	500	400	120	Yes	-	1500-1212
500	500	150	-	Yes	-	150	500	400	120	Yes	-	1500-1213
500	600	150	Yes	-	Yes	127	500	400	120	Yes	-	1500-1214
500	600	150	-	Yes	-	150	500	400	120	Yes	-	1500-1215
600	600	150	Yes	-	Yes	127	600	400	120	Yes	-	1500-1216
600	600	150	-	Yes	-	150	600	400	120	Yes	-	1500-1217