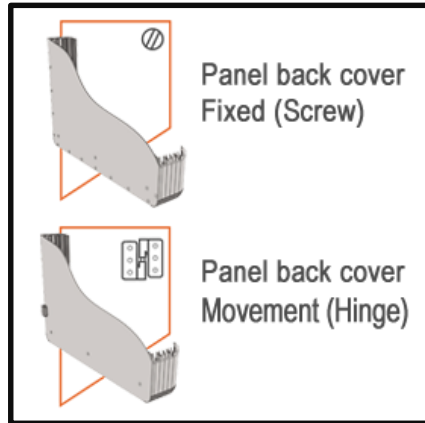




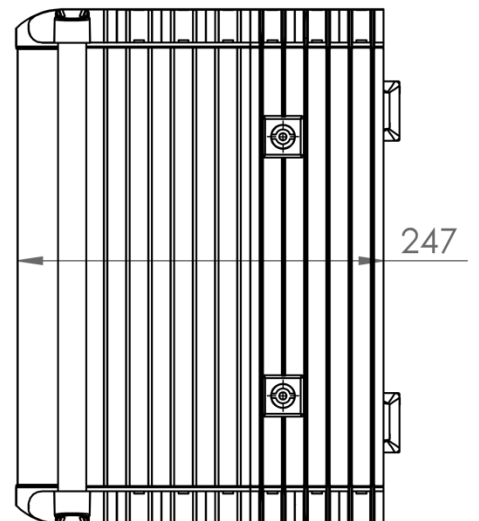
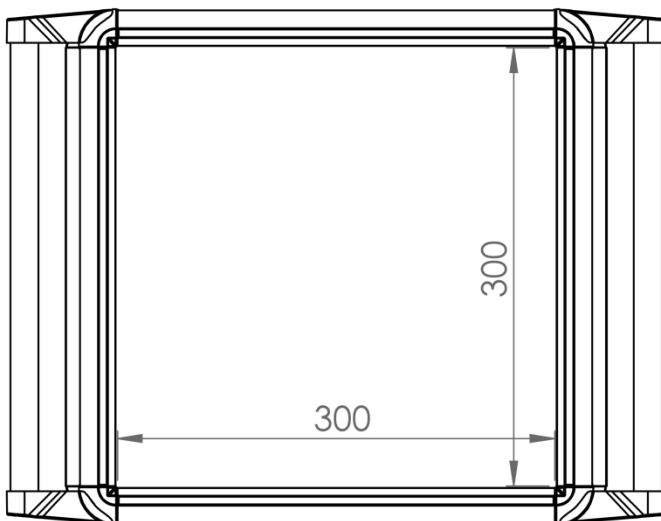
ISO9001  

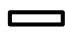
ECO.1591.0200

Panel System



Weight (gr)	-
Color / Ral Code	Aluminium Anodized
Package	1
Package Dimension (mm)	440x380x260
Material	Aluminium



Installation Area			Back Area		Installation Depth		Support Arm No. TK		Order No
Weight mm	Height mm	Depth mm	Hinge	Screw	H Profile installation platform	Installation Deep mm	130 mm \varnothing	118 x 65.5 mm 	
300	300	240	Yes	-	Yes	217	Yes	-	1591-0204
300	300	240	-	Yes	-	240	Yes	-	1591-0205
300	400	240	Yes	-	Yes	217	Yes	-	1591-0206
300	400	240	-	Yes	-	240	Yes	-	1591-0207
400	400	240	Yes	-	Yes	217	Yes	-	1591-0208
400	400	240	-	Yes	-	240	Yes	-	1591-0209
400	500	240	Yes	-	Yes	217	Yes	-	1591-0210
400	500	240	-	Yes	-	240	Yes	-	1591-0211
500	500	240	Yes	-	Yes	217	Yes	-	1591-0212
500	500	240	-	Yes	-	240	Yes	-	1591-0213
500	600	240	Yes	-	Yes	217	Yes	-	1591-0214
500	600	240	-	Yes	-	240	Yes	-	1591-0215
600	600	240	Yes	-	Yes	217	Yes	-	1591-0216
600	600	240	-	Yes	-	240	Yes	-	1591-0217