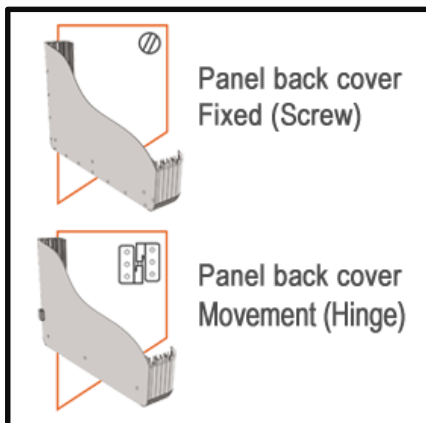




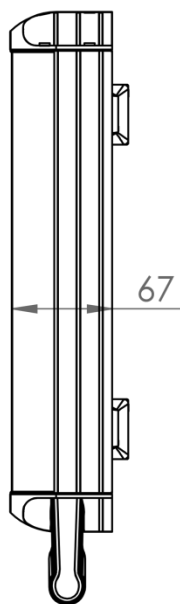
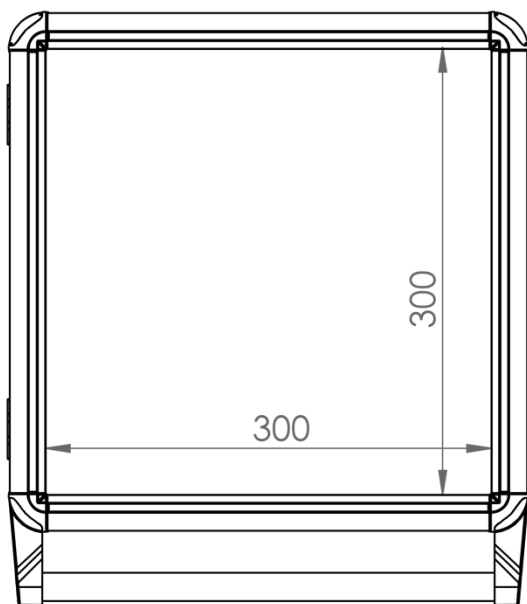
ISO9001  


ECO.6000.0100

Panel Systems



| | |
|------------------------|--------------------|
| Weight (gr) | - |
| Color / Ral Code | Aluminium Anodized |
| Package | 1 |
| Package Dimension (mm) | 430x380x150 |
| Material | Aluminium |



| Installation Area | | | Back Area | | Installation Depth | | Support Arm No TK | | Order No |
|-------------------|-----------|----------|-----------|-------|---------------------------------|----------------------|----------------------|---|-----------|
| Weight mm | Height mm | Depth mm | Hinge | Screw | H Profile installation platform | Installation Deep mm | 130 mm \varnothing | 118 x 65.5 mm  | |
| 300 | 300 | 60 | Yes | - | - | 60 | - | Yes | 6000-0104 |
| 300 | 300 | 60 | - | Yes | - | 60 | - | Yes | 6000-0105 |
| 300 | 400 | 60 | Yes | - | - | 60 | - | Yes | 6000-0106 |
| 300 | 400 | 60 | - | Yes | - | 60 | - | Yes | 6000-0107 |
| 400 | 400 | 60 | Yes | - | - | 60 | - | Yes | 6000-0108 |
| 400 | 400 | 60 | - | Yes | - | 60 | - | Yes | 6000-0109 |
| 400 | 500 | 60 | Yes | - | - | 60 | - | Yes | 6000-0110 |
| 400 | 500 | 60 | - | Yes | - | 60 | - | Yes | 6000-0111 |
| 500 | 500 | 60 | Yes | - | - | 60 | - | Yes | 6000-0112 |
| 500 | 500 | 60 | - | Yes | - | 60 | - | Yes | 6000-0113 |
| 500 | 600 | 60 | Yes | - | - | 60 | - | Yes | 6000-0114 |
| 500 | 600 | 60 | - | Yes | - | 60 | - | Yes | 6000-0115 |
| 600 | 600 | 60 | Yes | - | - | 60 | - | Yes | 6000-0116 |
| 600 | 600 | 60 | - | Yes | - | 60 | - | Yes | 6000-0117 |