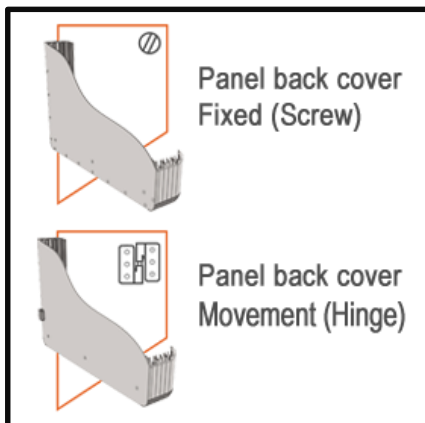




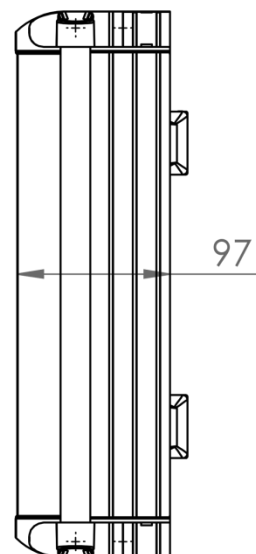
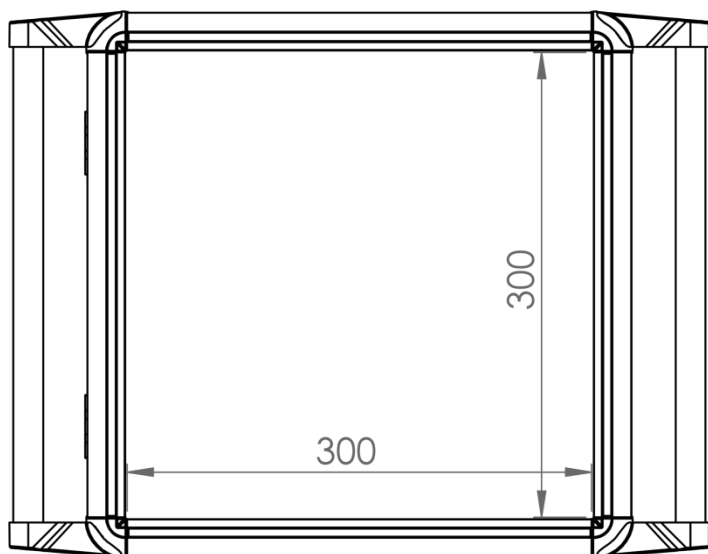
ISO9001 CE cUL US LISTED


# ECO.9000.0200

## Panel Systems



Weight (gr)	-
Color / Ral Code	Aluminium Anodized
Package	1
Package Dimension (mm)	430x380x150
Material	Aluminium



Installation Area			Back Area		Intallation Depth		Support Arm No. TK		Order No
Weight mm	Height mm	Depth mm	Hinge	Screw	H Profile installation platform	Installation Deep mm	130 mm $\varnothing$	118 x 65.5 mm 	
300	300	90	Yes	-	-	67	-	Yes	9000-0204
300	300	90	-	Yes	-	90	-	Yes	9000-0205
300	400	90	Yes	-	-	67	-	Yes	9000-0206
300	400	90	-	Yes	-	90	-	Yes	9000-0207
400	400	90	Yes	-	-	67	-	Yes	9000-0208
400	400	90	-	Yes	-	90	-	Yes	9000-0209
400	500	90	Yes	-	-	67	-	Yes	9000-0210
400	500	90	-	Yes	-	90	-	Yes	9000-0211
500	500	90	Yes	-	-	67	-	Yes	9000-0212
500	500	90	-	Yes	-	90	-	Yes	9000-0213
500	600	90	Yes	-	-	67	-	Yes	9000-0214
500	600	90	-	Yes	-	90	-	Yes	9000-0215
600	600	90	Yes	-	-	67	-	Yes	9000-0216
600	600	90	-	Yes	-	90	-	Yes	9000-0217