

ISO9001

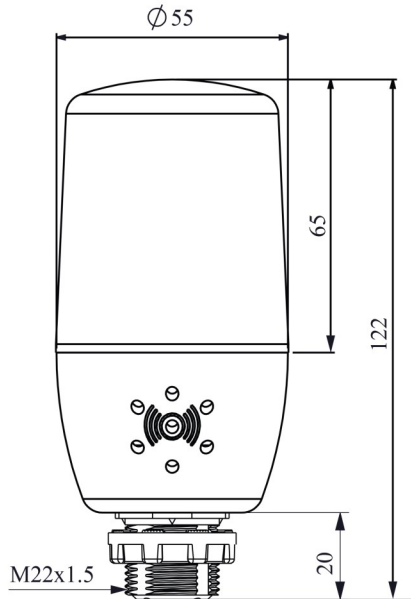
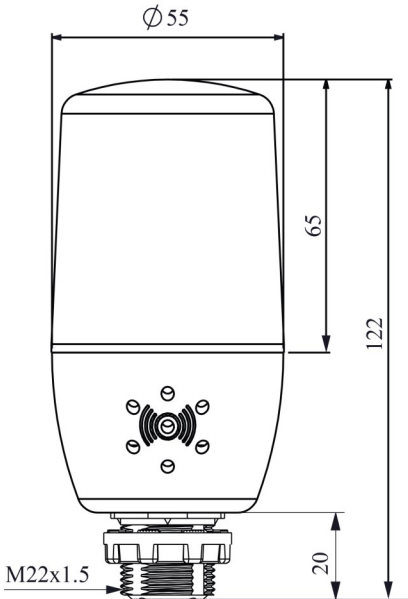


TEKNOKOL®

SUPPORT ARM AND CONTROL PANEL

Product Code: İKZ.01

Product Code: İKZ.02



Technical Information :

Electrical Life : 10.000 hour

Operating Temperature : ° C-25/+70

Insulation Voltage (Ui) : 300 V

Protection Degree : IP65

Frequency (f) : 50 Hz

Standard : TS EN 60947-1

TS EN 60947-5-1

TS EN 60947-5-1/A1

TECHNICAL SPECIFICATIONS

Dear Customer,

Thank you for choosing TEKNOKOL brand.

We kindly request that you pay attention to the issues below, in order to be able to use the product you purchased correctly and fit for purpose:

- Please read the entire User's Manual and Technical Specifications provided, before the product installation and keep them as a reference throughout use.
- Please don't take products with damaged packaging.
- Please ensure that the product and parts of the product are complete and in original packaging.
- Please make sure that the code of the product you ordered and the code on the packaging match, otherwise please return without opening.

PRODUCT TECHNICAL SPECIFICATIONS

- Our product complies with TS EN 61812-1 standard and is under warranty by TEKNOKOL for 2 years against manufacturing fault s.
- Please have only qualified electricians install the products.
- Please make sure power is cut off before installation of our products.
- Please choose the TEKNOKOL product most suitable for rated voltage and current values.
- Operating temperatures of the products are between -25 ° C and +70 ° C.
- Short circuit protection components are located on the low voltage switch box that the products are connected in order to protect power plant and plant components.
- Products should be sheltered from elements like rain, water, moisture and fire that can damage the product and product package.
- Storing conditions specified on the packaging should be observed.
- Products should not be installed on a moist, newly-painted surface.
- Products should not be covered with insulating or similar material.
- Products should be used on environment conditions complying with the IP levels specified on product label.
- Product should be installed by observing the warning signs and symbols specified on the product label and product user manual.
- Please contact TEKNOKOL for faults in the products. We advise you to pay attention to the issues specified in this technical specification to be able to use the product efficiently. We remind you that our company will not be responsible for any damages incurred by noncompliance with these rules, and the product warranty will be void.

WARRANTY CONDITIONS

- Product invoice is used as warranty certificate and is evaluated according to the matters below.
- Warranty period begins at the customer invoicing date and is valid for 2 years.
- The entire product and all the parts that form the product are covered by our company against manufacturing faults.
- In case of malfunction during the warranty period, we kindly request that you call TEKNOKOL quality assurance department.
- During the product warranty period: if the product malfunctions because of manufacturing faults, replacement is made free of charge without shipping cost.
- In the case that the good is defective within the warranty period, the time of repair is added to the warranty period. There pair time of the good is maximum 30 business days.
- If the product, in 1 year during the warranty period specified starting from the date the product is delivered to the customer; repeats ,the same malfunction 2 times; 4 different malfunctions occur; and if the total number of differing malfunctions during the specified warranty period reach 6; and these malfunctionings render the utilization of the product impossible continuously, the maximum time for repairs is exceeded, or it is specified in the report issued by the importer that the malfunction is not repairable, the following options are presented to the customer:
 - Product is replaced free of charge.
 - Payment is returned.
 - Discount amounting to the fault is applied.
- The warranty period of the product changed within the scope of the warranty is limited with the warranty period of the purchased product.
- The local manufactured and import products sold by TEKNOKOL, whatever the brand, are subject to the warranty conditions above.

CONDITIONS THAT VOID THE WARRANTY OF THE PRODCUT YOU PURCHASED

- Noncompliance the conditions in TEKNOKOL technical specification and User Manual,
- Faulty installation, maintenance, repairs or disassembly by unqualified personnel.
- Damages that can be caused during the transportation of the product,
- Damages resulting from noncompliance with the storage conditions of the product,
- Works, connections and applications made in noncompliance with the TMMOB Chamber of Electric Engineers, Electrical Interior

Works Regulation,

- Damages that are incurred by the fluctuations in the grid voltage that cause voltages that are beyond the tolerances specified on the product,
- If you don't present the invoice, the product you purchased will not be deemed to have a warranty,
- The images contained in the instruction manual are representative and may not be in same with the product. TEKNOKOL.
- Reserves the right to change the goods without notice.

OPERATING LIFE IS 10 YEARS

AUTHORISED SERVICE:

TEKNOKOL[®]
SUPPORT ARM AND CONTROL PANEL

NRS KABLO Bilg. Yazl. Don. Elek. Elektr. Otom. San. Ve Tic. LTD. ŞTİ.
Kayapa Organize Sanayi Bölgesi Karanfil Caddesi No:6 16315 Nilüfer / Bursa / TURKEY
Tel : +90 224 443 23 63
Mail : tekno@teknokol.com.tr