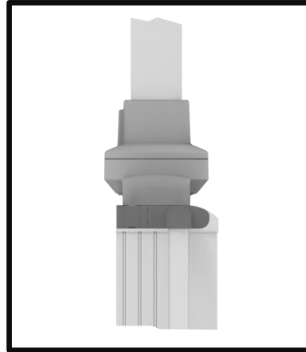
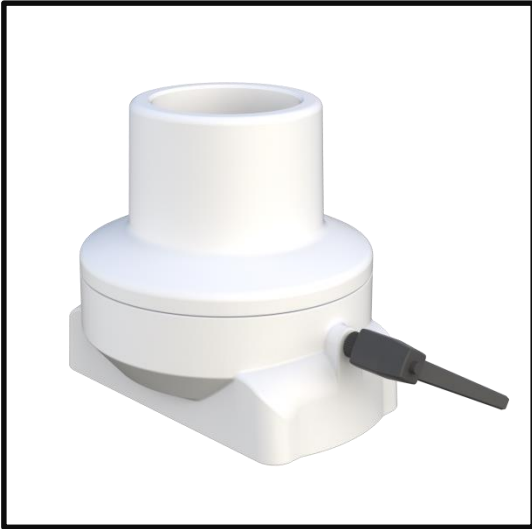
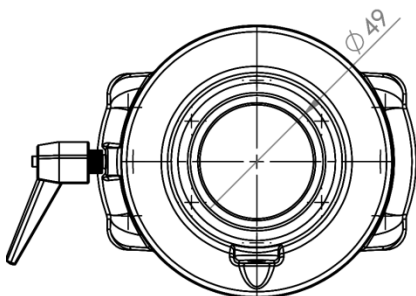
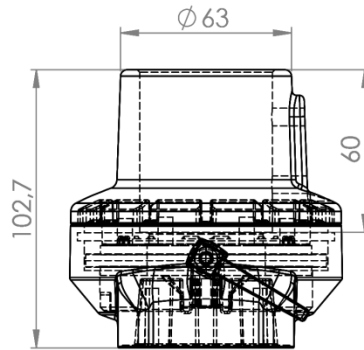
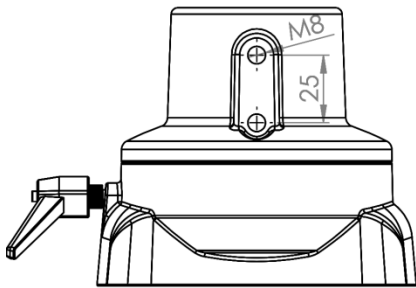
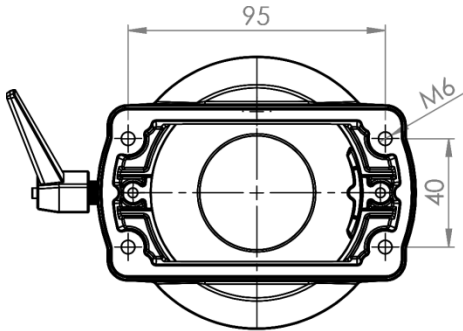


# TK060.826

## Ø48 Panel Adaptor Vertical



Weight (gr)	950
Color / Ral Code	RAL7035
Package	1
Package Dimension (mm)	140x160x110
Movement	350°
Material	Aluminum



ISO9001

